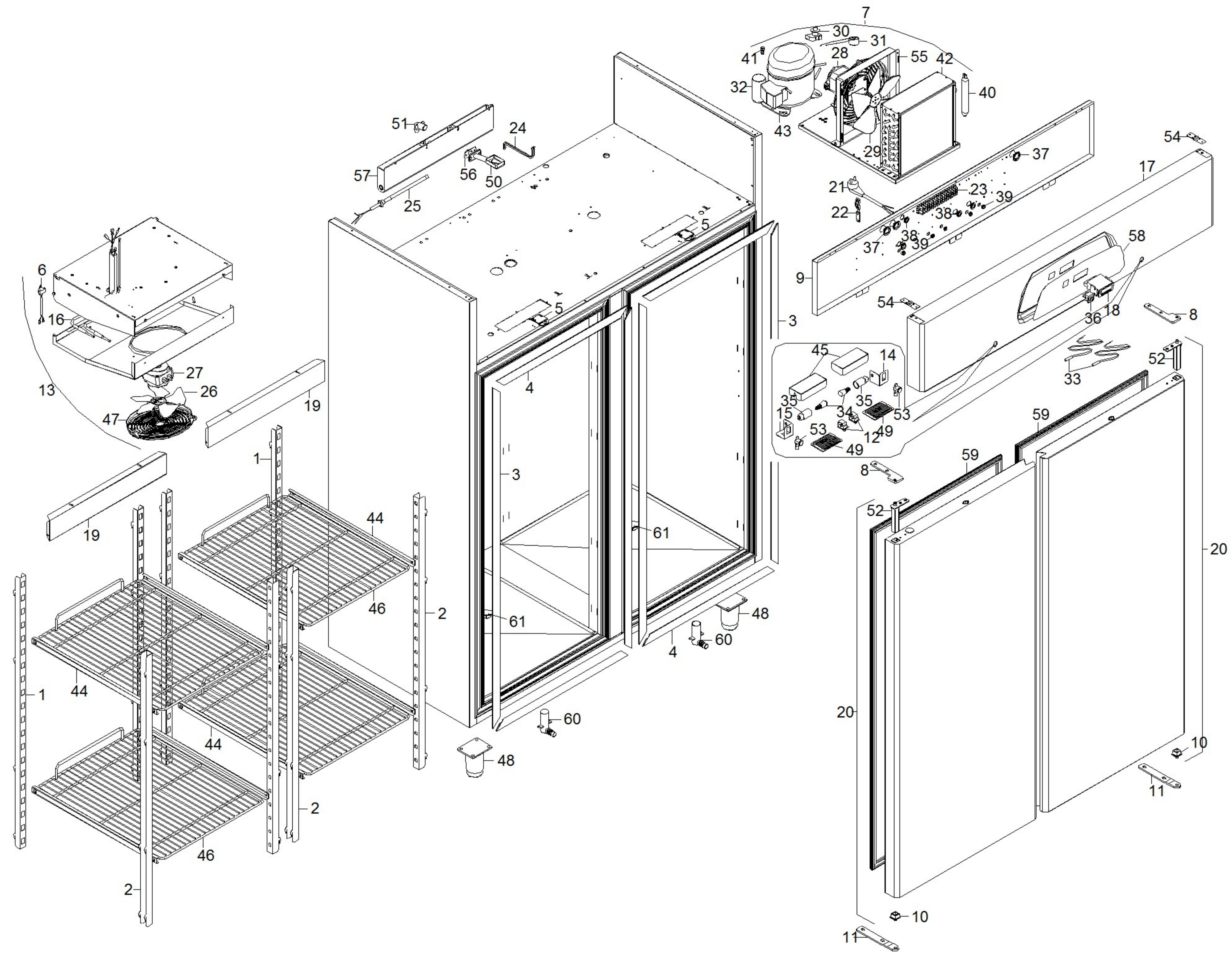




MD130

Edition 20100419-



Pos	Code	Description	Info
001	3062670	RACK	12/03/2007-
002	3062680	RACK	12/03/2007-
003	3065170	FRAME TRIM	12/03/2007-
004	3065180	FRAME TRIM	12/03/2007-
005	3065480	SUPPORT	12/03/2007-
006	3073130	SAFETY THERMOSTAT	12/03/2007-
007	3079890	MOTOR UNIT	12/03/2007-
008	3082260	TOP BRACKET	12/03/2007-
009	3087310	COMPONENT GUARD	12/03/2007-
010	3091340	DOOR PLUG	12/03/2007-
011	3091350	BOTTOM BRACKET	12/03/2007-
012	3096020	MICROSWITCH	12/03/2007-
013	3096330	EVAPORATOR	12/03/2007-
014	3096620	LOCK SUPPORT	12/03/2007-
015	3096880	LOCK SUPPORT	12/03/2007-
016	3102010	RESISTOR	12/03/2007-
017	3106380	CONTROL BOARD	12/03/2007-
018	3107300	THERMOREGULATOR	12/03/2007-
019	3108010	EVAPORATOR GUARD	12/03/2007-
020	30F1510	FRIDGE DOOR	12/03/2007-
021	32A2200	POWER SUPPLY CABLE	12/03/2007-
022	32D0020	CABLE CLAMP Ø 4 - 12	12/03/2007-
023	32D0761	TERMINAL BOARD	12/03/2007-
024	32G2420	HEATING ELEMENT	12/03/2007-
025	32G3310	RESISTOR	12/03/2007-
026	32M1550	FAN	12/03/2007-
027	3163830	FAN MOTOR	12/03/2007-
028	32M7210	FAN MOTOR	12/03/2007-
029	32M7220	FAN	12/03/2007-
030	32V1220	RELAY	12/03/2007-
031	32V1370	ENGINE CUTOU	12/03/2007-
032	32V1500	CONDENSER	12/03/2007-
033	32V6010	EVAPORATOR PROBE NTC	12/03/2007-
034	32W3790	LIGHT	12/03/2007-
035	32W3800	LAMP-HOLDER	12/03/2007-
036	32W3970	BIPOLAR SWITCH	12/03/2007-
037	32X0120	GROMMETØ 21	12/03/2007-
038	32X0140	GROMMET Ø13,5-Ø25	12/03/2007-
039	32X0200	GROMMET Ø7.5-Ø11.5	12/03/2007-
040	33A0190	FILTER	12/03/2007-
041	33A1200	AUXIL.VALVE	12/03/2007-
042	34E2220	CONDEN.+BAFFLE	12/03/2007-
043	3179300	COMPRESSOR R404A	26/10/2009-
044	35Y3430	GUIDE	12/03/2007-
045	35Y3090	LAMP GUARD	12/03/2007-
046	36A5380	GRID	12/03/2007-
047	36C4790	FAN.PROT.	12/03/2007-
048	3137690	FOOT	19/04/2010-
049	36E2240	LAMP PROTECTION GLASS SLIDE	12/03/2007-
050	36E2270	CONDENS. DRAIN	12/03/2007-
051	36E3870	CONDENS. DRAIN	12/03/2007-

Pos	Code	Description	Info
052	36G6520	HINGE	12/03/2007-
053	36M7070	KEY LOCK	12/03/2007-
054	36M7080	HINGE	12/03/2007-
055	36Z0540	FAN.PROT.	12/03/2007-
056	36Z1410	GASKET	12/03/2007-
057	36Z1530	COND. TRAY	12/03/2007-
058	37N5720	SILK-SCREE.PANEL	12/03/2007-
059	37Q5450	DOOR GASKET	12/03/2007-
060	36E2510	CONDENS. DRAIN	16/04/2009-
061	36Q1880	DRAIN PLUG	16/04/2009-