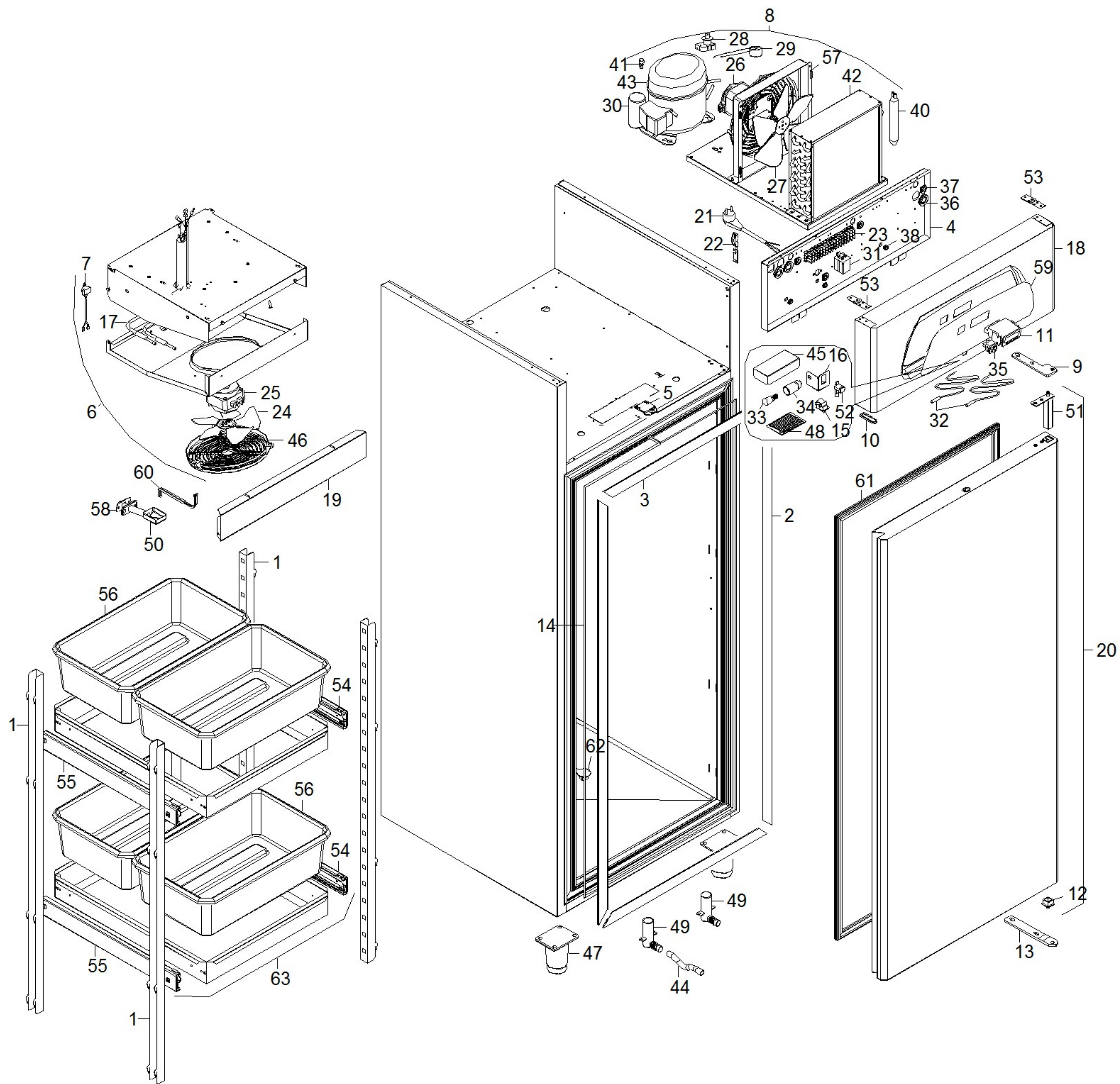




**MD70CP**

**Edition 20100419-**



Pos	Code	Description	Info
001	3062680	RACK	12/03/2007-
002	3065170	FRAME TRIM	12/03/2007-
003	3065180	FRAME TRIM	12/03/2007-
004	3065460	COMPONENT GUARD	12/03/2007-
005	3065480	SUPPORT	12/03/2007-
006	3067780	EVAPORATOR	12/03/2007-
007	3073130	SAFETY THERMOSTAT	12/03/2007-
008	3079890	MOTOR UNIT	12/03/2007-
009	3082260	TOP BRACKET	12/03/2007-
010	3082370	HOLE PLUG	12/03/2007-
011	3113980	THERMOREGULATOR	29/07/2008-
012	3091340	DOOR PLUG	12/03/2007-
013	3091350	BOTTOM BRACKET	12/03/2007-
014	3092480	RESISTOR	12/03/2007-
015	3096020	MICROSWITCH	12/03/2007-
016	3096620	LOCK SUPPORT	12/03/2007-
017	3105250	WIDERSTAND	12/03/2007-
018	3106370	CONTROL BOARD	12/03/2007-
019	3108010	EVAPORATOR GUARD	12/03/2007-
020	30F1510	FRIDGE DOOR	12/03/2007-
021	32A2200	POWER SUPPLY CABLE	12/03/2007-
022	32D0020	CABLE CLAMP Ø 4 - 12	12/03/2007-
023	32D0761	TERMINAL BOARD	12/03/2007-
024	32M1550	FAN	12/03/2007-
025	3216840	FAN MOTOR	01/01/2008-
026	32M7210	FAN MOTOR	12/03/2007-
027	32M7220	FAN	12/03/2007-
028	32V1220	RELAY	12/03/2007-
029	32V1370	ENGINE CUTOU	12/03/2007-
030	32V1500	CONDENSER	12/03/2007-
031	32V3720	RELAY	12/03/2007-
032	32V6010	EVAPORATOR PROBE NTC	12/03/2007-
033	32W3790	LIGHT	12/03/2007-
034	32W3800	LAMP-HOLDER	12/03/2007-
035	32W3970	BIPOLAR SWITCH	12/03/2007-
036	32X0120	GROMMETØ 21	12/03/2007-
037	32X0140	GROMMET Ø13,5-Ø25	12/03/2007-
038	32X0200	GROMMET Ø7.5-Ø11.5	12/03/2007-
040	33A0190	FILTER	12/03/2007-
041	33A1200	AUXIL.VALVE	12/03/2007-
042	34E2220	CONDEN.+BAFFLE	12/03/2007-
043	3179300	COMPRESSOR R404A	26/10/2009-
044	35X1640	DRAIN TRAP	12/03/2007-
045	35Y3090	LAMP GUARD	12/03/2007-
046	36C4790	FAN.PROT.	12/03/2007-
047	3137690	FOOT	19/04/2010-
048	36E2240	LAMP PROTECTION GLASS SLIDE	12/03/2007-
049	36E2510	CONDENS. DRAIN	16/04/2009-
050	36E3330	CONDENS. DRAIN	12/03/2007-
051	36G6520	HINGE	12/03/2007-
052	36M7070	KEY LOCK	12/03/2007-

<b>Pos</b>	<b>Code</b>	<b>Description</b>	<b>Info</b>
053	36M7080	HINGE	12/03/2007-
054	36M8080	RH GUIDE	12/03/2007-
055	36M8090	LH GUIDE	12/03/2007-
056	36Z0291	PLASTIC COATED TRAY	12/03/2007-
057	36Z0540	FAN.PROT.	12/03/2007-
058	36Z1410	GASKET	12/03/2007-
059	37N5720	SILK-SCREE.PANEL	12/03/2007-
060	32G2420	HEATING ELEMENT	12/03/2007-
061	37Q5450	DOOR GASKET	12/03/2007-
062	36Q1880	DRAIN PLUG	16/04/2009-
063	3105780	DRAWER UNIT	26/03/2010-