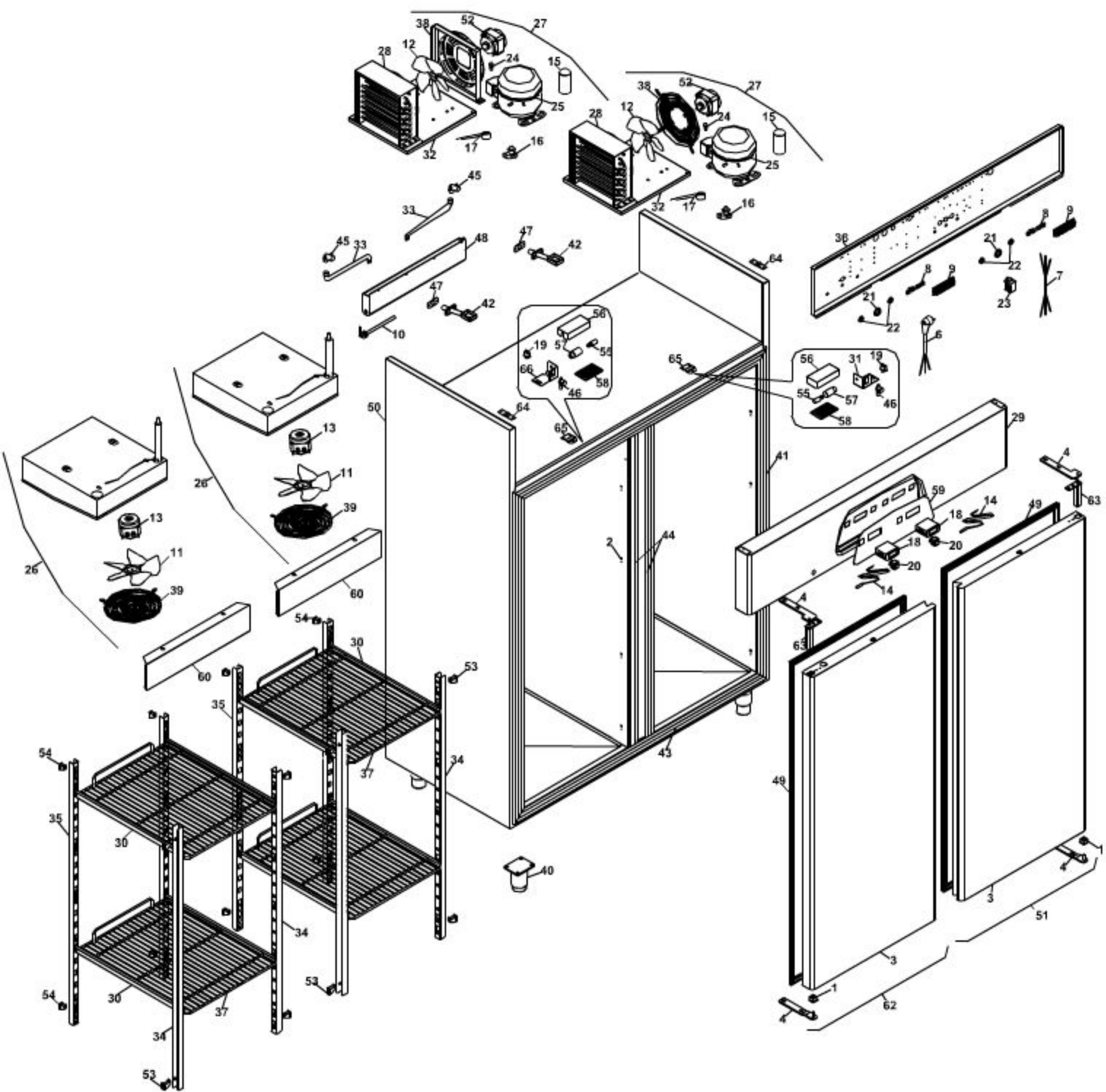




MX120NN

Edition 20060905-



Pos	Code	Description	Info
001	3178300	PLUG	13/06/2005-
002	30A6370	JOGGING PANEL	15/12/2003-
003	30F1510	FRIDGE DOOR	04/04/2005-
004	30T4510	BOTTOM BRACKET	15/12/2003-
005	36E2120	TOP BRACKET	13/06/2005-
006	32A2200	POWER SUPPLY CABLE	15/12/2003-
007	32A3030	CABLE	15/12/2003-
008	32D0020	CABLE CLAMP Ø 4 - 12	15/12/2003-
009	32D0740	TERMINAL BOARD	15/12/2003-
010	32G3310	RESISTOR	15/12/2003-
011	32M1550	FAN	15/12/2003-
012	32M1080	FAN	28/01/2005-
013	32M7180	FAN MOTOR	28/01/2005-
014	32V6010	EVAPORATOR PROBE NTC	15/12/2003-
015	32Z7730	CONDENSER	28/01/2005-
016	32V8500	RELAY	28/01/2005-
017	32V1440	ENGINE CUTOUT	28/01/2005-
018	32V8590	THERMOREGULATOR	04/04/2005-
019	32W3770	MICROSWITCH	15/12/2003-
020	32W3970	BIPOLAR SWITCH	15/12/2003-
021	32X0120	GROMMET Ø 21	15/12/2003-
022	32X0140	GROMMET Ø13,5-Ø25	15/12/2003-
023	32Z4910	RELAY	15/12/2003-
024	33A1200	AUXIL.VALVE	15/12/2003-
025	34E0940	COMPRESSOR	28/01/2005-
026	34E0620	EVAPORATOR	15/12/2003-
027	34E2390	MOTOR UNIT	28/01/2005-
028	34E2980	CONDEN.+BAFFLE	28/01/2005-
029	35L1090	CONTROL BOARD	04/04/2005-
030	35Y3430	GUIDE	15/12/2003-
031	35R9260	LOCK SUPPORT	21/11/2005-
032	35W6370	ASSEMBLY TRAY	28/01/2005-
033	35X5770	DRAIN PIPE	15/12/2003-
034	35Y8570	RACK	15/12/2003-
035	35Y8560	RACK	15/12/2003-
036	35H4240	COMPONENT GUARD	04/04/2005-
037	36A5380	GRID	15/12/2003-
038	36Z0540	FAN.PROT.	28/01/2005-
039	36C4790	FAN.PROT.	15/12/2003-
040	36C5550	FOOT	15/12/2003-
041	36E4890	FRAME TRIM	15/12/2003-
042	36E2270	CONDENS. DRAIN	15/12/2003-
043	36E2280	FRAME TRIM	15/12/2003-
044	36E4960	FRAME TRIM	15/12/2003-
045	36E3990	CONDENS. DRAIN	15/12/2003-
046	36M7070	KEY LOCK	15/12/2003-
047	36Z1410	GASKET	15/12/2003-
048	36Z1530	COND. TRAY	15/12/2003-
049	37Q5450	DOOR GASKET	15/12/2003-
050	40K1596	BODY	15/12/2003-
051	60A3280	DOOR UNIT	13/06/2005-

Pos	Code	Description	Info
052	32M7190	FAN MOTOR	28/01/2005-
053	3601350	RACK SUPPORT	15/12/2003-
054	3601360	RACK SUPPORT	15/12/2003-
055	32W3790	LIGHT	15/12/2003-
056	35Y3090	LAMP GUARD	15/12/2003-
057	32W3800	LAMP-HOLDER	15/12/2003-
058	36E2240	LAMP PROTECTION GLASS SLIDE	02/05/2005-
059	37N5730	SILK-SCREE.PANEL	15/12/2003-
060	35R9451	EVAPORATOR GUARD	19/12/2003-
062	60A3290	DOOR UNIT SX	13/06/2005-
063	36G6520	HINGE	13/06/2005-
064	36M7080	HINGE	16/06/2005-
065	3065480	SUPPORT	05/09/2006-
066	35U4230	LOCK SUPPORT	21/11/2005-