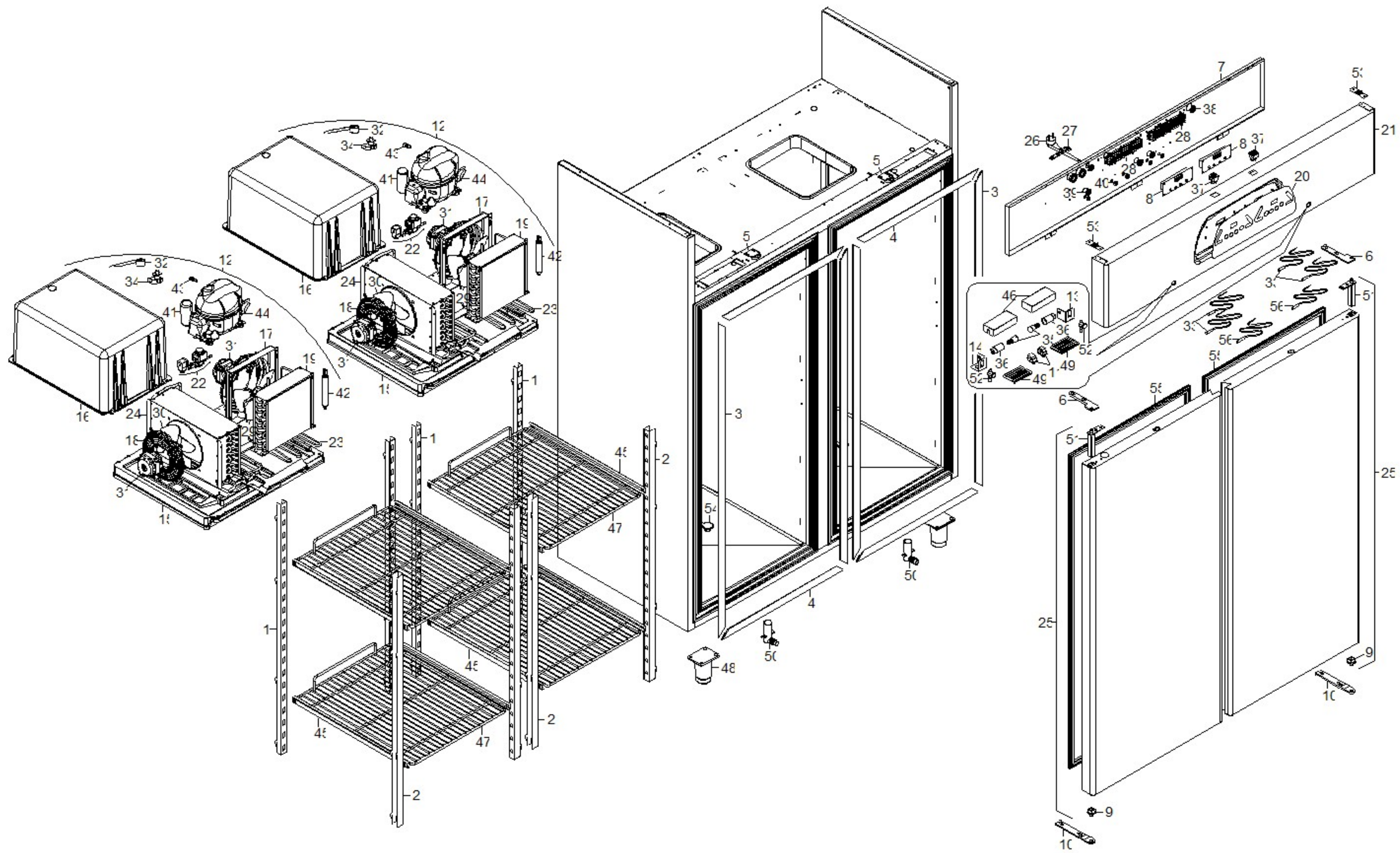




PD130NN

Edition 20120730-



Pos	Code	Description	Info
001	3062670	RACK	12/03/2007-
002	3062680	RACK	12/03/2007-
003	3065170	FRAME TRIM	12/03/2007-
004	3065180	FRAME TRIM	12/03/2007-
005	3065480	SUPPORT	12/03/2007-
006	3082260	TOP BRACKET	12/03/2007-
007	3087310	COMPONENT GUARD	12/03/2007-
008	3124430	ELECTRONIC CARD	19/12/2007-
009	3091340	DOOR PLUG	12/03/2007-
010	3091350	BOTTOM BRACKET	12/03/2007-
011	3096020	MICROSWITCH	12/03/2007-
012	3096260	MOTOR UNIT	12/03/2007-
013	3096620	LOCK SUPPORT	12/03/2007-
014	3096880	LOCK SUPPORT	12/03/2007-
015	3097250	BUFFER	12/03/2007-
016	3097260	BONNET	12/03/2007-
017	3097420	FAN.PROT.	12/03/2007-
018	3097570	FAN.PROT.	12/03/2007-
019	3098220	CONDEN.+BAFFLE	12/03/2007-
020	3098330	SILK-SCREE.PANEL	12/03/2007-
021	3098360	CONTROL BOARD	12/03/2007-
022	3098940	DEFROST SOL.VALVE	12/03/2007-
023	3098950	PIPE COIL	12/03/2007-
024	3189490	EVAPORATOR	01/11/2010-
025	30F1510	FRIDGE DOOR	12/03/2007-
026	32A2200	POWER SUPPLY CABLE	12/03/2007-
027	32D0020	CABLE CLAMP Ø 4 - 12	12/03/2007-
028	32D0761	TERMINAL BOARD	12/03/2007-
029	32M2510	FAN	12/03/2007-
030	32M3280	FAN	12/03/2007-
031	32M7020	FAN MOTOR	12/03/2007-
032	32V1440	ENGINE CUTOUT	12/03/2007-
033	32V6010	EVAPORATOR PROBE NTC	12/03/2007-
034	32V8500	RELAY	12/03/2007-
035	32W3790	LIGHT	12/03/2007-
036	32W3800	LAMP-HOLDER	12/03/2007-
037	32W3970	BIPOLAR SWITCH	12/03/2007-
038	32X0120	GROMMET Ø 21	12/03/2007-
039	32X0140	GROMMET Ø13,5-Ø25	12/03/2007-
040	32X0200	GROMMET Ø7.5-Ø11.5	12/03/2007-
041	32Z7730	CONDENSER	12/03/2007-
042	33A0190	FILTER	12/03/2007-
043	33A1200	AUXIL.VALVE	12/03/2007-
044	3215800	COMPRESSOR R404A	30/07/2012-
045	35Y3430	GUIDE	12/03/2007-
046	35Y3090	LAMP GUARD	12/03/2007-
047	36A5380	GRID	12/03/2007-
048	3137690	FOOT	19/04/2010-
049	36E2240	LAMP PROTECTION GLASS SLIDE	12/03/2007-
050	36E2510	CONDENS. DRAIN	12/03/2007-
051	36G6520	HINGE	12/03/2007-

Pos	Code	Description	Info
052	36M7070	KEY LOCK	12/03/2007-
053	36M7080	HINGE	12/03/2007-
054	36Q1880	DRAIN PLUG	12/03/2007-
055	37Q5450	DOOR GASKET	12/03/2007-
056	32V3730	NTC PROBE	19/12/2007-