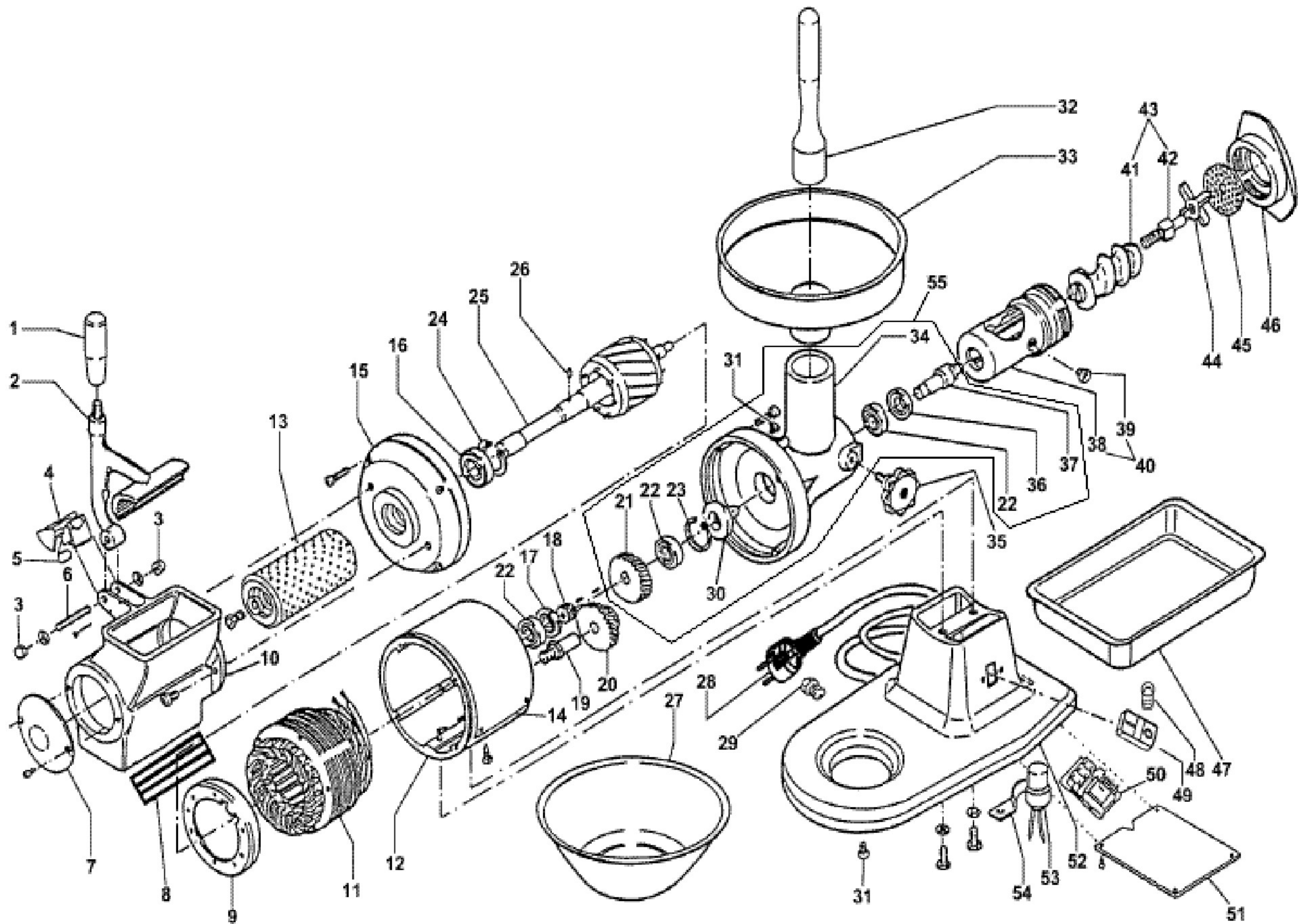




TG12

Edition 20020101-



Pos	Code	Description	Info
001	36M5910	Grip	01/01/1997-
002	36U0810	Pusher	01/09/1999-
003	TG12-Pos.003	Nut M8	01/01/1997-
004	35U7650	Support	01/01/1997-
005	32W2040	Microswitch	01/01/1997-
006	TG12-Pos.006	Stud M8x60	01/01/1997-
007	3019540	Cover	01/01/1997-
008	3273560	Grid	01/01/1997-
009	TG12-Pos.009	Guard	01/01/1997-
010	TG12-Pos.010	Casing	01/09/1999-
011	3025750	Stator 230V/400V/3F/50Hz	01/01/1997-
011	TG12-Pos.011	Stator 230V/1F/50Hz	01/01/1997-
012	TG12-Pos.012	Housing	01/04/2000-
013	36X0030	Roller	01/01/1997-
014	TG12-Pos.014	Covering	01/01/1997-
015	3601320	Calotte	01/01/1997-
016	36F0500	Bearing 6205 ZZ	01/01/1997-
017	3096110	Oil seal 17x40x7	01/01/1997-
018	36H0020	Gear	01/01/1997-
019	3025760	Shaft	01/01/1997-
020	36H0010	Gear	01/01/1997-
021	36H0030	Gear	01/01/1997-
022	3016450	Bearing 6203 2RS	01/01/1997-
023	3096130	Spring Ring \varnothing 40	01/01/1997-
024	3096140	Seeger \varnothing 52	01/01/1997-
025	3025770	Rotor 230V/400V/3F/50Hz	01/01/1997-
025	TG12-Pos.025	Rotor 230V/1F/50Hz	01/01/1997-
026	3025780	Pin \varnothing 5x10	01/01/1997-
027	35W5050	Container	01/01/1997-
028	TG12-Pos.028	Electric cable/single- phase	01/01/1997-
028	TG12-Pos.028	Electric cable/triple- phase	01/01/1997-
029	TG12-Pos.029	Cable clamp	01/01/1997-
030	3096150	Spacer 17x24x1	01/01/1997-
031	30T3630	Tap	01/01/1997-
032	36M6240	Pusher	01/01/1997-
033	3113380	Hopper	01/01/1997-
034	TG12-Pos.034	Sleeve	01/01/1997-
035	3071790	Knob	01/01/1997-
036	3016460	Oil seal 25x40x7	01/01/1997-
037	36H0040	Shaft	01/01/1997-
038	TG12-Pos.038	Cast iron sleeve	01/01/1997-
040	36T0130	Cast iron sleeve- assembly	01/01/1997-
041	TG12-Pos.041	Cast iron screw shaft	01/01/1997-
042	36H0080	Pivot	01/01/2002-
043	36T0170	Screw shaft	01/01/1997-
044	36X0710	Cutter	01/01/1997-
045	36X0150	Plate	01/01/1997-
046	3099220	Handwheel	01/01/1997-
047	3274510	Container	01/01/1997-
048	TG12-Pos.048	Bulb 36V 2W	01/01/1997-
049	32W2030	Push button	01/01/1997-

Pos	Code	Description	Info
050	32V0740	Electronic card	01/01/1997-
051	TG12-Pos.051	Bottom	01/01/1997-
052	35N2710	Base	01/01/1997-
053	TG12-Pos.053	Capacitor 16μF	01/01/1997-
054	TG12-Pos.054	Bracket	01/01/1997-
055	3001150	Sleeve/assembly	01/01/1997-