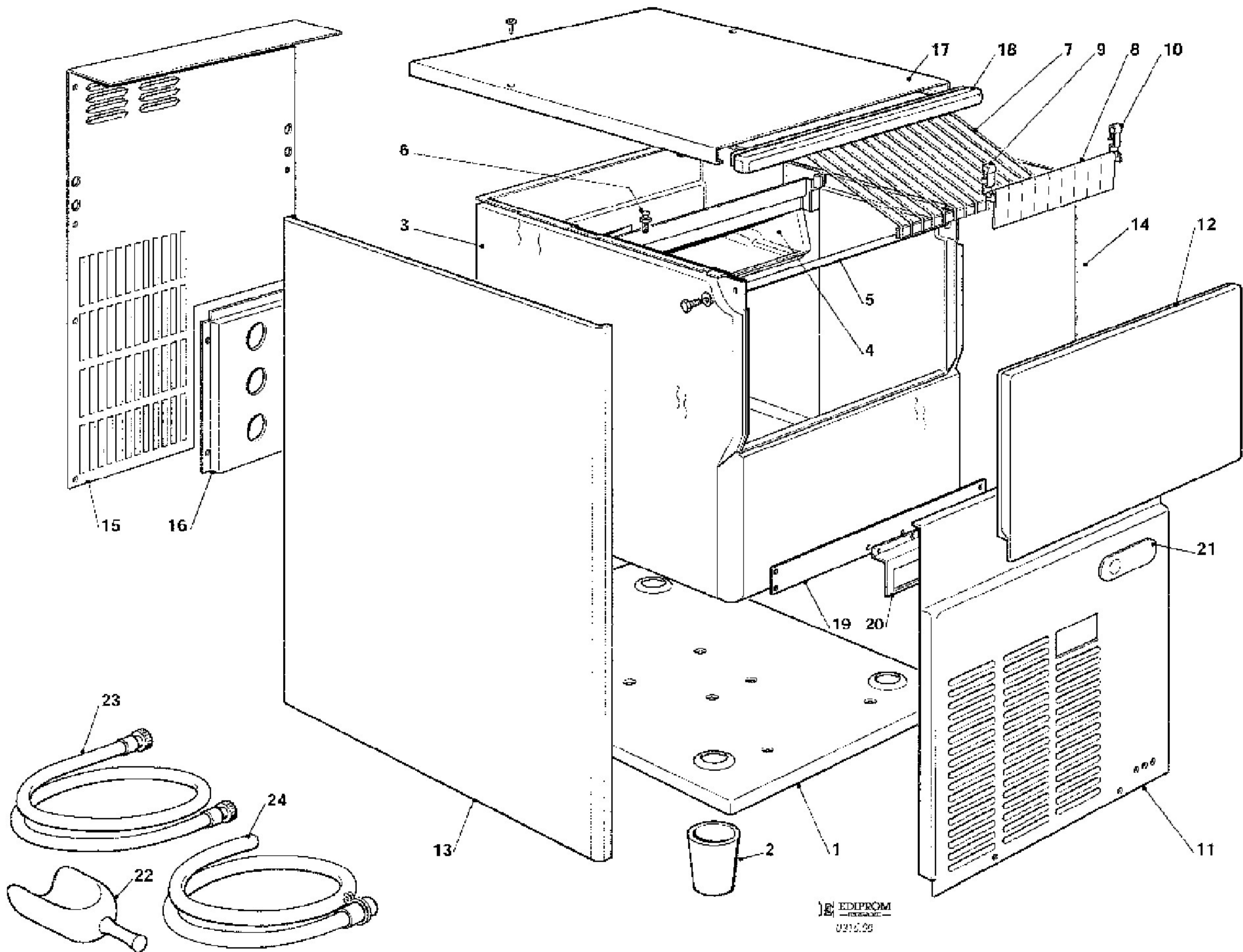
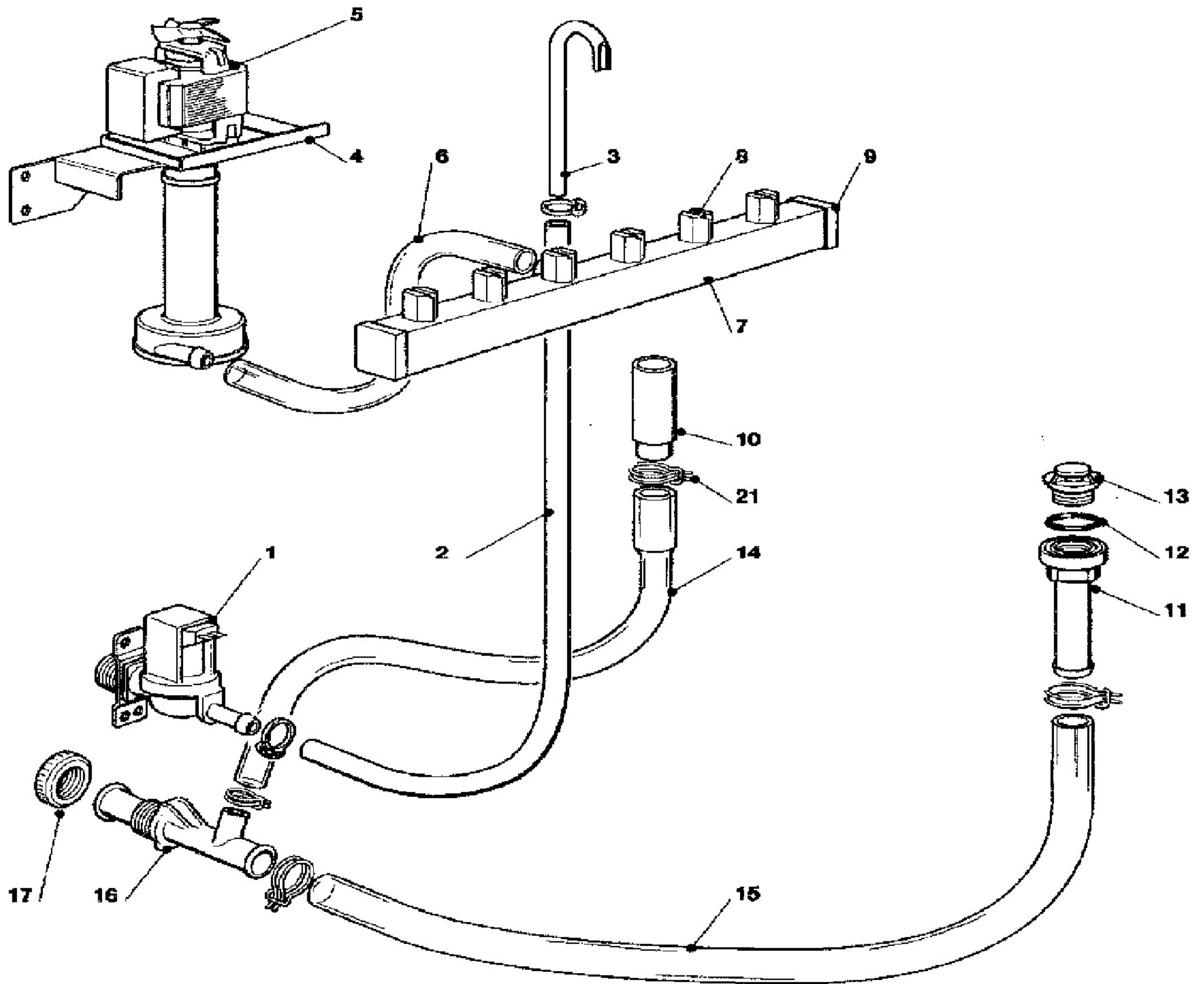


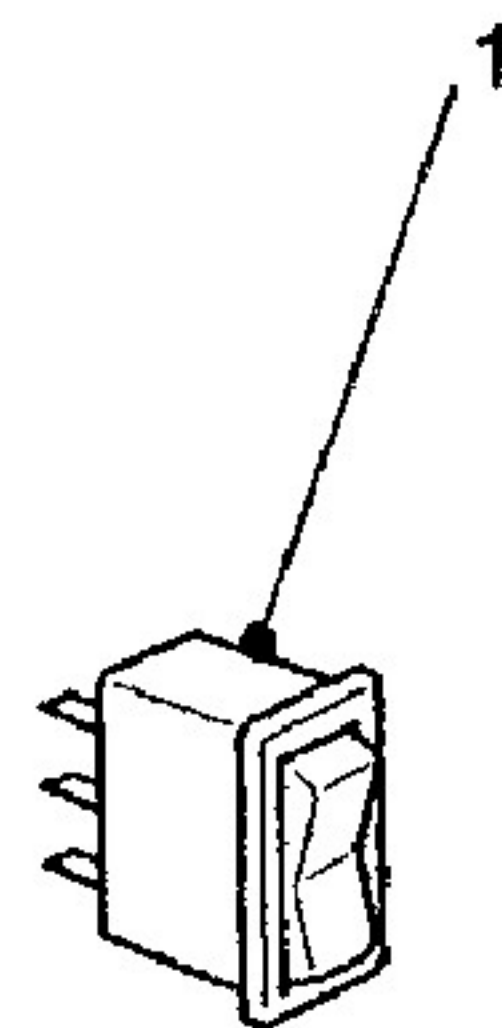
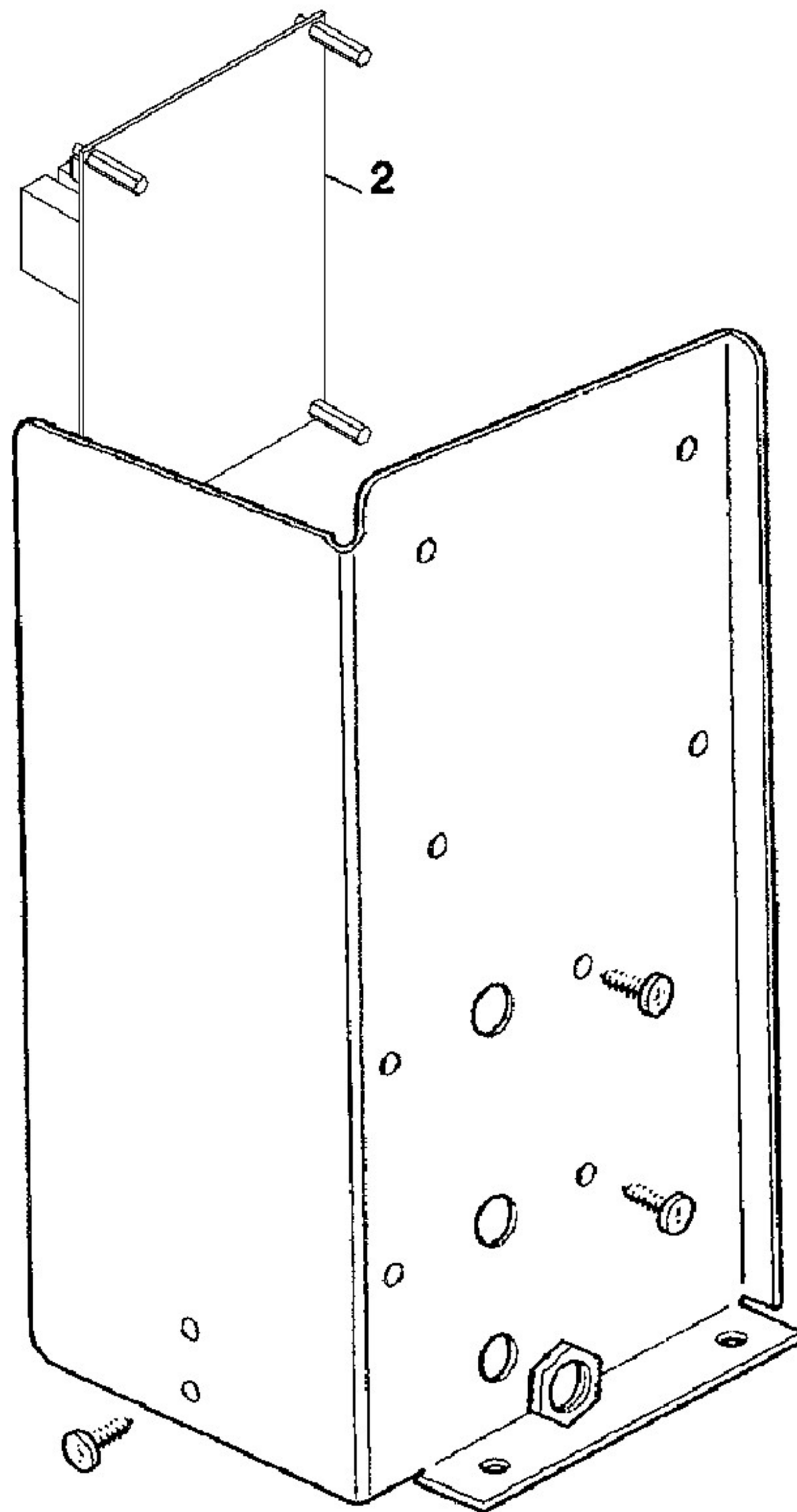
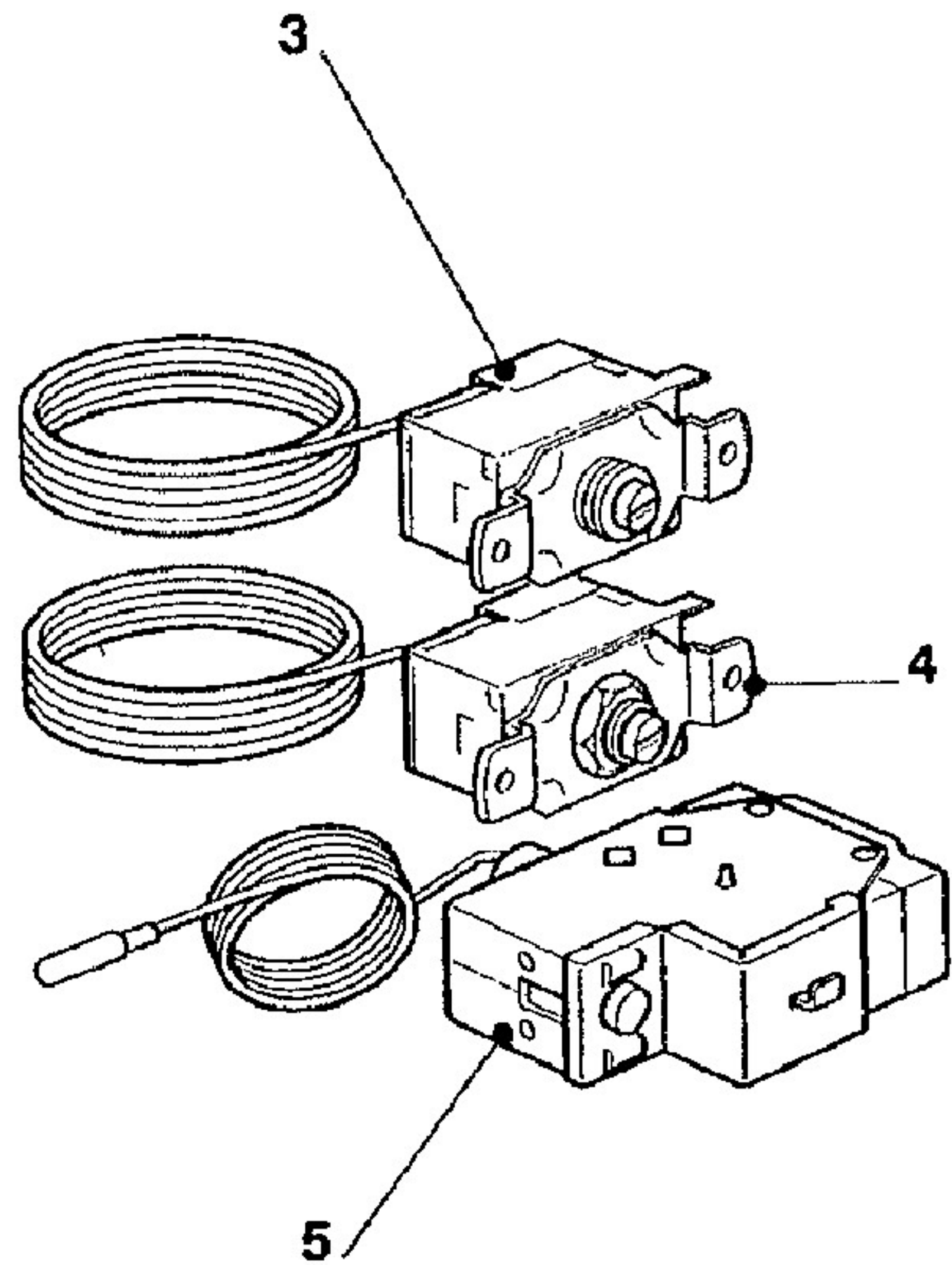


PG42C

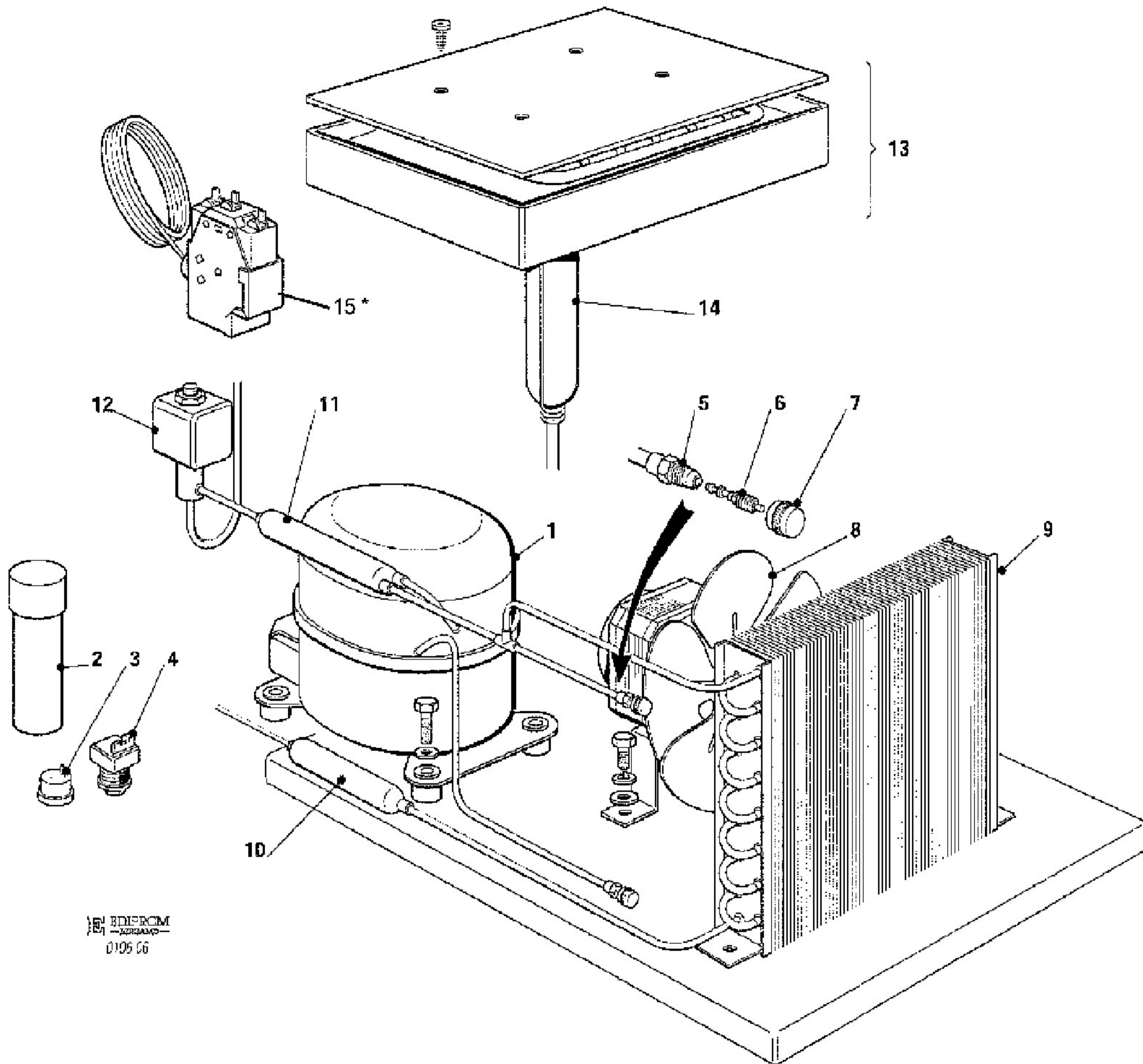
Edition 20100302-







* only PG 60 C
solo PG 60 C



Page	Pos	Code	Description	Info
002	001	PG42C-Pos.001	BASE	01/07/2003-
002	002	36M6820	LEG - PG 30-31	01/07/2003-
002	003	3245190	INSULATED BIN ASSY	01/07/2003-
002	004	3021730	EVAPORATOR HOUSING	01/07/2003-
002	005	3036400	SIN DOOR BRACKET	01/07/2003-
002	006	PG42C-Pos.006	STUD	01/07/2003-
002	007	3004430	ICE DEFLECTOR	01/07/2003-
002	008	36Z1490	CURTAIN ASSY	01/07/2003-
002	009	35U7540	LEFT CU RTAIN SUPPORT	01/07/2003-
002	010	35U7550	RIGHT CURTAIN SUPPORT	01/07/2003-
002	011	3012390	FRONT PANEL S.S.	01/07/2003-
002	012	3037990	BIN DOOR	01/07/2003-
002	013	3012370	LEFT SIDE PANEL S.S.	01/07/2003-
002	014	3012380	RIGHT SIDE PANEL S.S.	01/07/2003-
002	015	3176630	REAR PANEL	01/07/2003-
002	016	PG42C-Pos.016	METAL BRACKET FOR	01/07/2003-
002	017	3063270	FITTING TOP PANEL S.S.	01/07/2003-
002	018	3002990	TOP FRONTAL	01/07/2003-
002	019	PG42C-Pos.019	FRONT SUPPORT	01/07/2003-
002	020	PG42C-Pos.020	SWITCH BRACKET	01/07/2003-
002	021	3274840	ANGELO PO LOGO	01/07/2003-
002	022	3018200	ICE SCOOP	01/07/2003-
002	023	33M1470	RUBBER PIPE	01/07/2003-
002	024	33M1630	KIT WATER DRAIN PIPE	01/07/2003-
003	001	33D2720	"SOLENOID VALVE 3/4"" 1IN-1OUT"	01/07/2003-
003	002	3016850	PLASTIC TUBE - PER METER	01/07/2003-
003	003	PG42C-Pos.003	WATER INLET COPPER PIPE	01/07/2003-
003	004	3227850	METAL BRACKET	01/07/2003-
003	005	32M6310	PUMP	01/07/2003-
003	006	3001540	PUMP INLET WATER PIPE	01/07/2003-
003	007	PG42C-Pos.007	SPRAY BAR	01/07/2003-
003	008	33T3230	SPRAY JET	01/07/2003-
003	009	3005210	PLUG	01/07/2003-
003	010	33D2750	OVERFLOW STAND PIPE - PG 30-31	01/07/2003-
003	011	33D2590	DRAIN FITTING	01/07/2003-
003	012	3152490	O RING	01/07/2003-
003	013	30Q1480	DRAIN FILTER	01/07/2003-
003	014	PG42C-Pos.014	OVERFLOW DRAIN TUBE	01/07/2003-
003	015	3077230	STORAGE BIN DRAIN TUBE	01/07/2003-
003	016	33Q4430	WATER DRAIN EITTING	01/07/2003-
003	017	3273580	PLASTIC RING NUT	01/07/2003-
004	001	3031170	SWITCH	01/07/2003-
004	002	3184480	ELECTRONICTIMER	02/03/2010-
004	003	3034730	BIN THERMOSTAT	01/07/2003-
004	004	32V4400	EVAPORATOR THERMOSTAT	01/07/2003-
004	005	3040550	SAFETY THERMOSTAT	01/07/2003-
005	001	34D9140	COMPRESSOR GL90TB	01/07/2003-
005	002	3012310	START CAPACITOR	01/07/2003-
005	003	3012820	PROTECTOR	01/07/2003-
005	004	PG42C-Pos.004	RELAY	01/07/2003-
005	005	33D2920	VALVE BODY	01/07/2003-

Page	Pos	Code	Description	Info
005	006	36G9590	VALVE PISTON	01/07/2003-
005	007	36Q1840	VALVE CAP	01/07/2003-
005	008	32M6420	FAN MOTOR	01/07/2003-
005	008	PG42C-Pos.008	FAN BLADE	01/07/2003-
005	009	34D8700	AIR COOLED CONDENSER	01/07/2003-
005	010	3012500	DRIER	01/07/2003-
005	011	PG42C-Pos.011	MECHANICAL FILTER	01/07/2003-
005	012	32V4320	SOLENOID VALVE COIL	01/07/2003-
005	012	33D2900	HOT GAS VALVE BODY	01/07/2003-
005	013	3049340	EVAPORATOR ASS.Y	01/07/2003-
005	014	PG42C-Pos.014	ACCUMULATOR ASSY	01/07/2003-