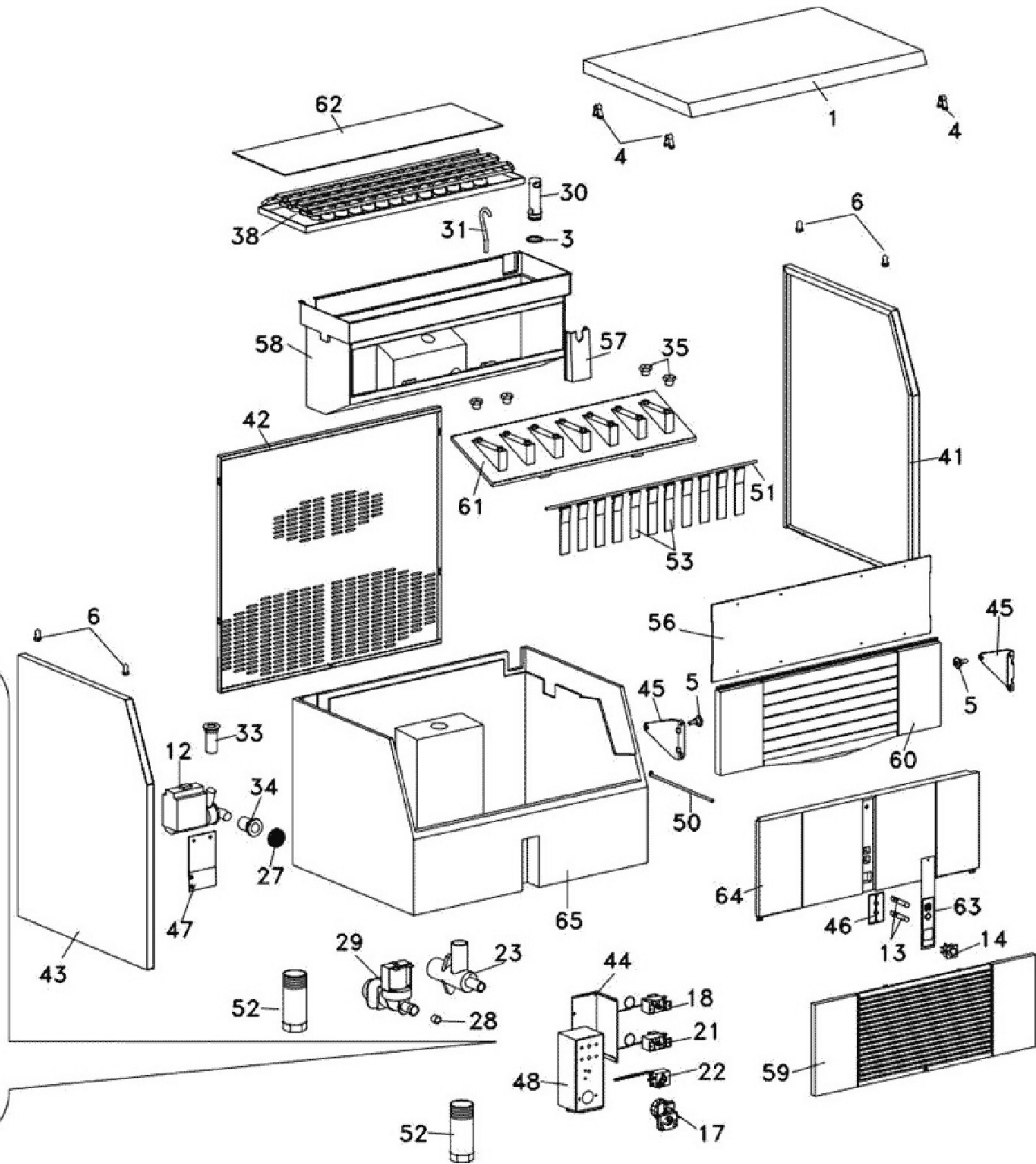
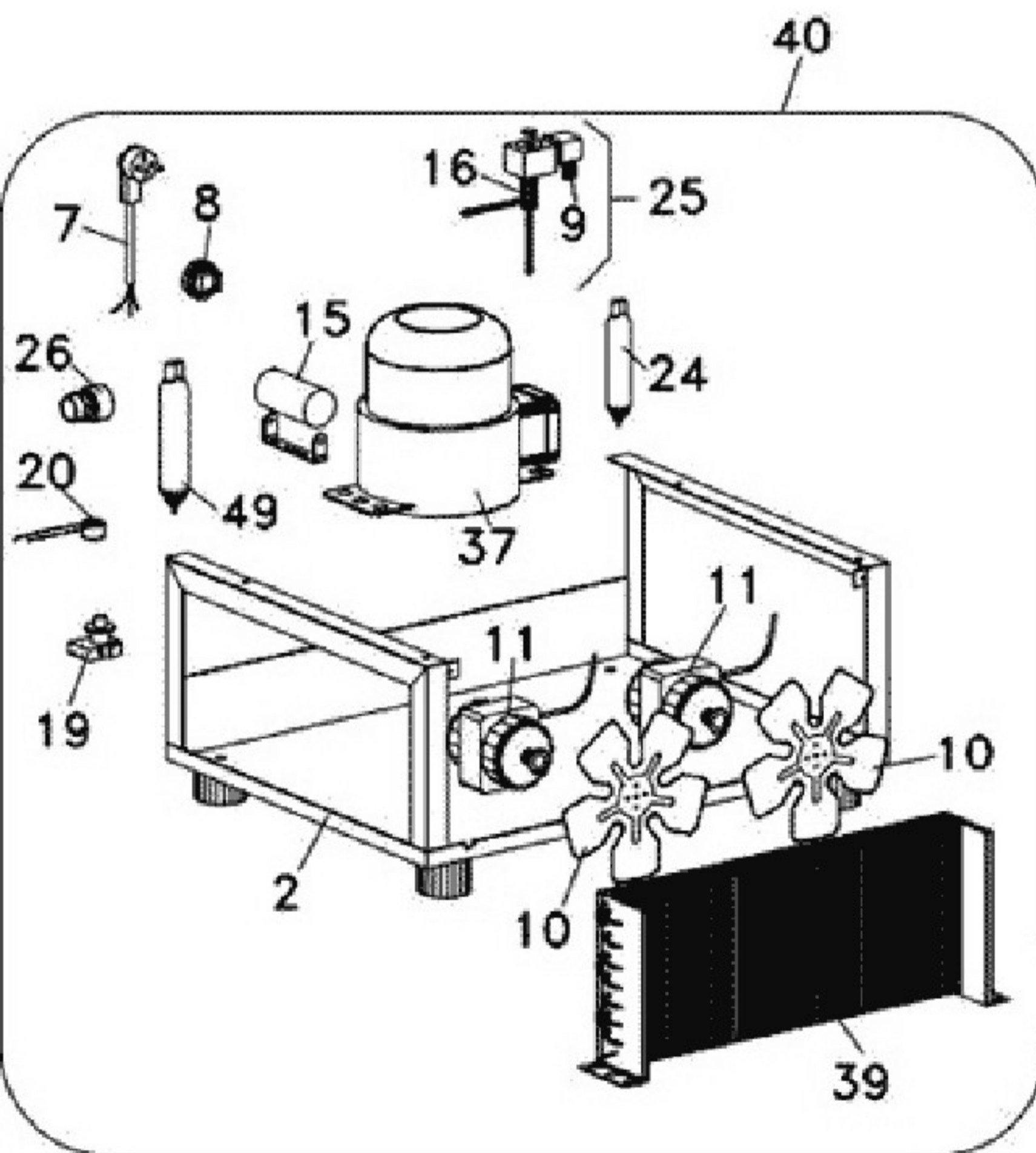
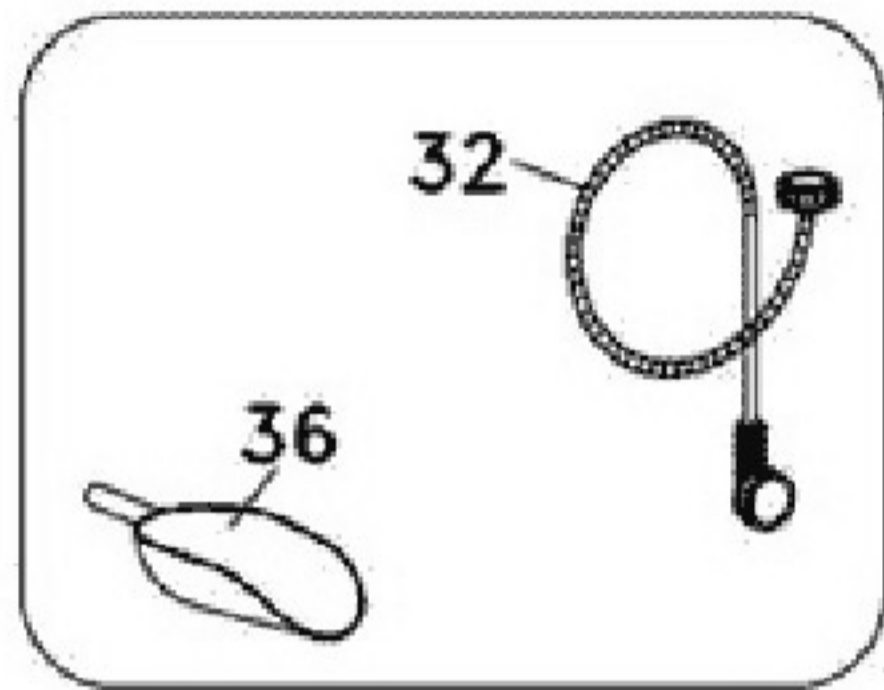




# **PGA60**

**Edition 20011205-**



Pos	Code	Description	Info
001	30A3550	COVER	01/01/1996-
002	30T6480	BASE	01/01/1996-
003	3150410	"O" RING Ø 18.72	01/01/1996-
004	3170070	SPRING	01/01/1996-
005	31X0110	PIN	01/01/1996-
006	31X0150	PIN	01/01/1996-
007	32A1780	POWER SUPPLY CABLE	01/01/1996-
008	32D0680	CABLE CLAMP	01/01/1996-
009	32D0710	THREE-POLE CONNECTOR	01/01/1996-
010	32M1550	FAN	01/01/1996-
011	32M6870	FAN MOTOR	05/12/2001-
012	32M4430	PUMP	01/01/1996-
013	32W0800	LIGHT	01/01/1996-
014	32W0990	BIPOLAR SWITCH	01/01/1996-
015	32Z1290	CONDENSER	01/01/1996-
016	32Z2750	COIL	01/01/1996-
017	32Z3840	TIMER	01/01/1996-
018	32Z3890	EVAP.THERM.	01/01/1996-
019	32Z6960	RELAY	01/01/1996-
020	32Z6970	ENGINE CUTOUT	01/01/1996-
021	32Z7450	CONTAINER. THERM.	01/01/1996-
022	32Z7470	SAFETY THERMOSTAT	01/01/1996-
023	3300300	JOINT	01/01/1996-
024	33A0180	FILTER	01/01/1996-
025	33D1970	SOLENOID VALVE	23/05/1996-
026	33A1200	AUXIL.VALVE	01/01/1996-
027	33A2910	FILTER	01/01/1996-
028	33D0230	CAPACITY CTRL	01/01/1996-
029	33D1371	INLET WATER SOLENOID VALVE	01/01/1996-
030	33D1860	OVERFLOW	01/01/1996-
031	33M0590	IN LET COUPLING	10/02/1997-
032	33M1160	WATER WAY IN	01/01/1996-
033	33Q6300	MANIFOLD	01/01/1996-
034	33Q6310	MANIFOLD	01/01/1996-
035	33T1890	JET	01/01/1996-
036	3400020	SCOOP	01/01/1996-
037	34D2990	COMPRESSOR R22 (TN)	01/01/1996-
038	34D3190	EVAPORATOR	01/01/1996-
039	34D3270	CONDENSER	01/01/1996-
040	34D4690	MOTOR ASS.Y	01/01/1996-
041	3AA2950	RIGHT SIDE	17/02/1998-
042	35C0100	REAR PANEL	01/01/1996-
043	3AA2960	LEFT SIDE	17/02/1998-
044	35Q8890	PANEL-BOARD COVER	01/01/1996-
045	35V7471	DOOR SWAP	21/02/1997-
046	35V7600	WARN.LIGHT.SUPPORT	01/01/1996-
047	35V7720	PUMP SUPPORT	01/01/1996-
048	35V8300	PANEL BOARD	01/01/1996-
049	35W3620	FLUID TANK	01/01/1996-
050	36C2070	PROBE STOPPER	01/01/1996-
051	36D5680	SUPPORT	01/01/1996-

<b>Pos</b>	<b>Code</b>	<b>Description</b>	<b>Info</b>
052	36D9350	STAINLESS STEEL FOOT	01/01/1996-
053	36Q1492	DROPS SEPARATOR	18/12/1997-
056	36Z0390	DOOR BACK PANEL	01/01/1996-
057	36Z0400	DRAIN GUARD	01/01/1996-
058	36Z6671	TANK	19/12/1996-
059	36Z6690	GRID	01/01/1996-
060	36Z6710	DOOR	01/01/1996-
061	36Z6731	SPRAYER	16/01/1997-
062	36Z6750	COVER	01/01/1996-
063	37M1710	CONTROLS PLATE	01/01/1996-
064	37M6070	CONTROL PANEL	01/01/1996-
065	30A3890	FRAME	27/11/1996-
066	32Q2060	CABLE ASS.Y	01/01/1996-