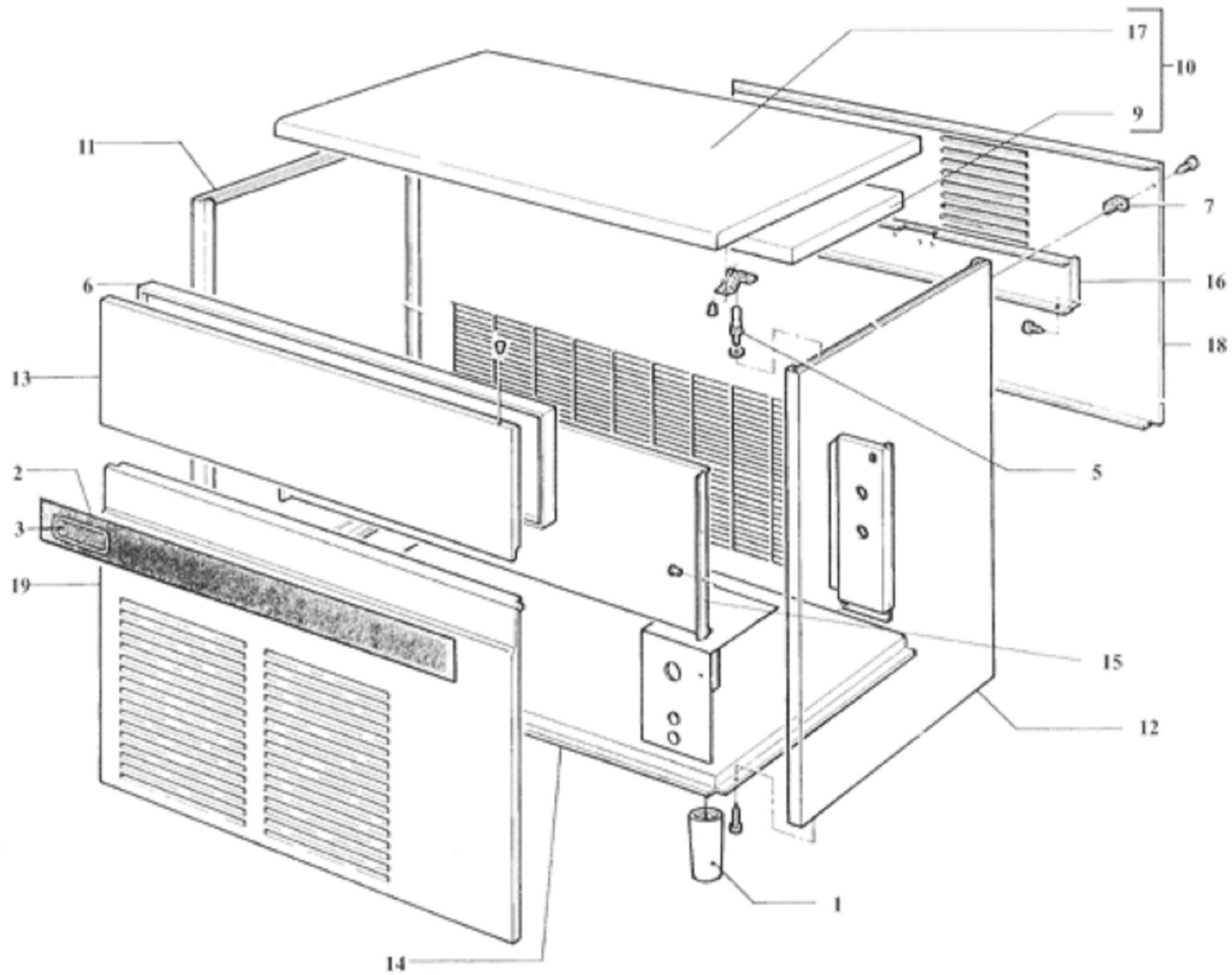
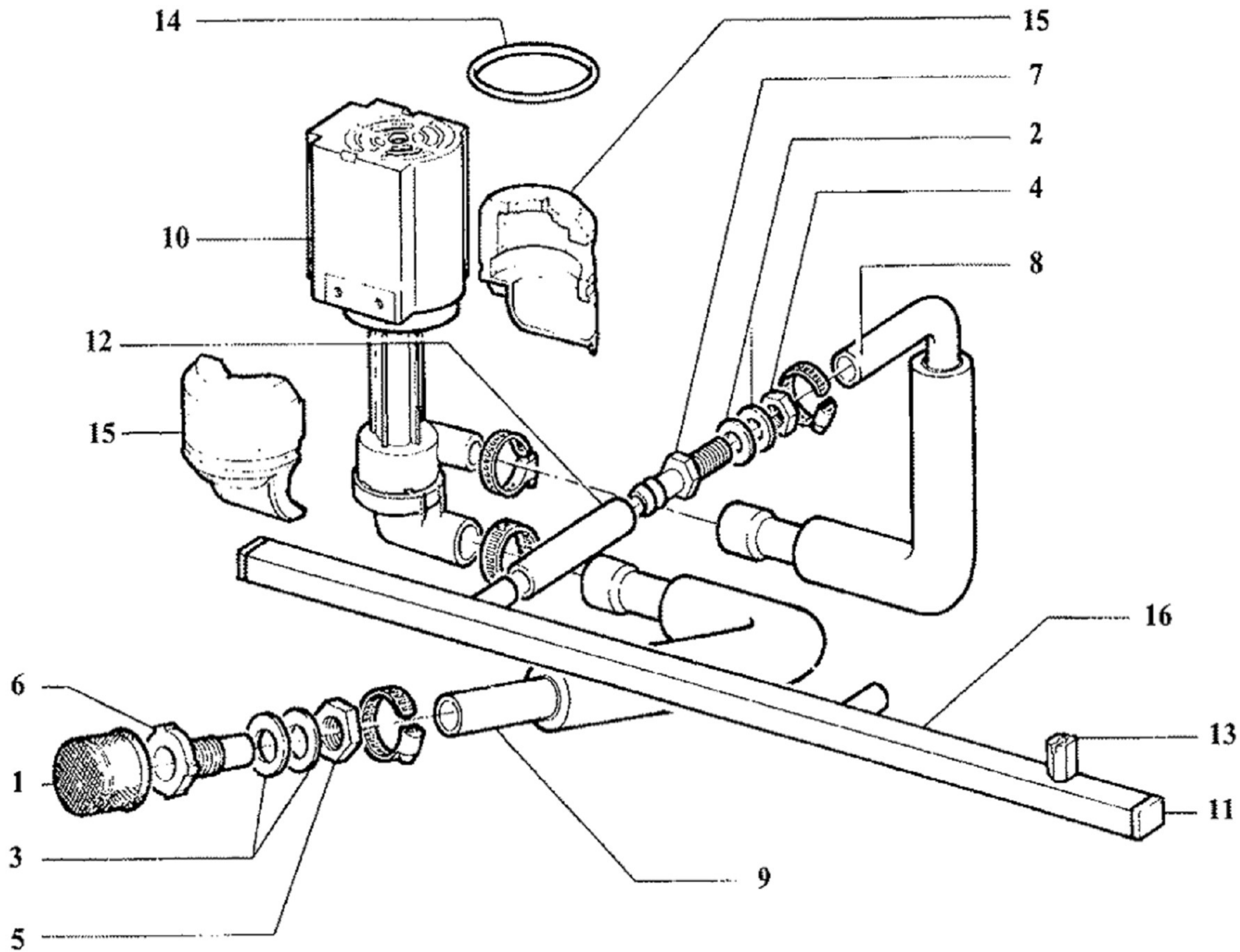


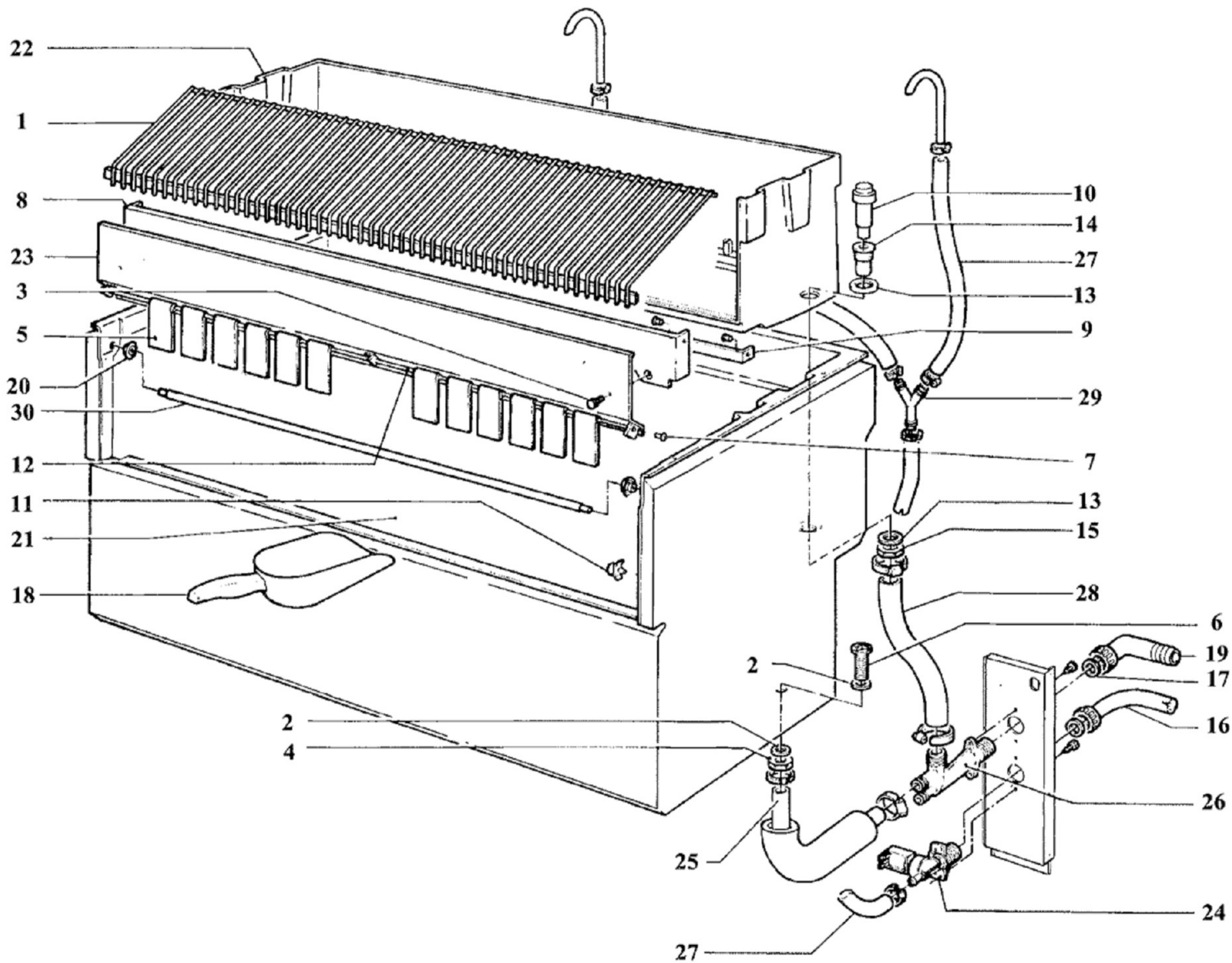


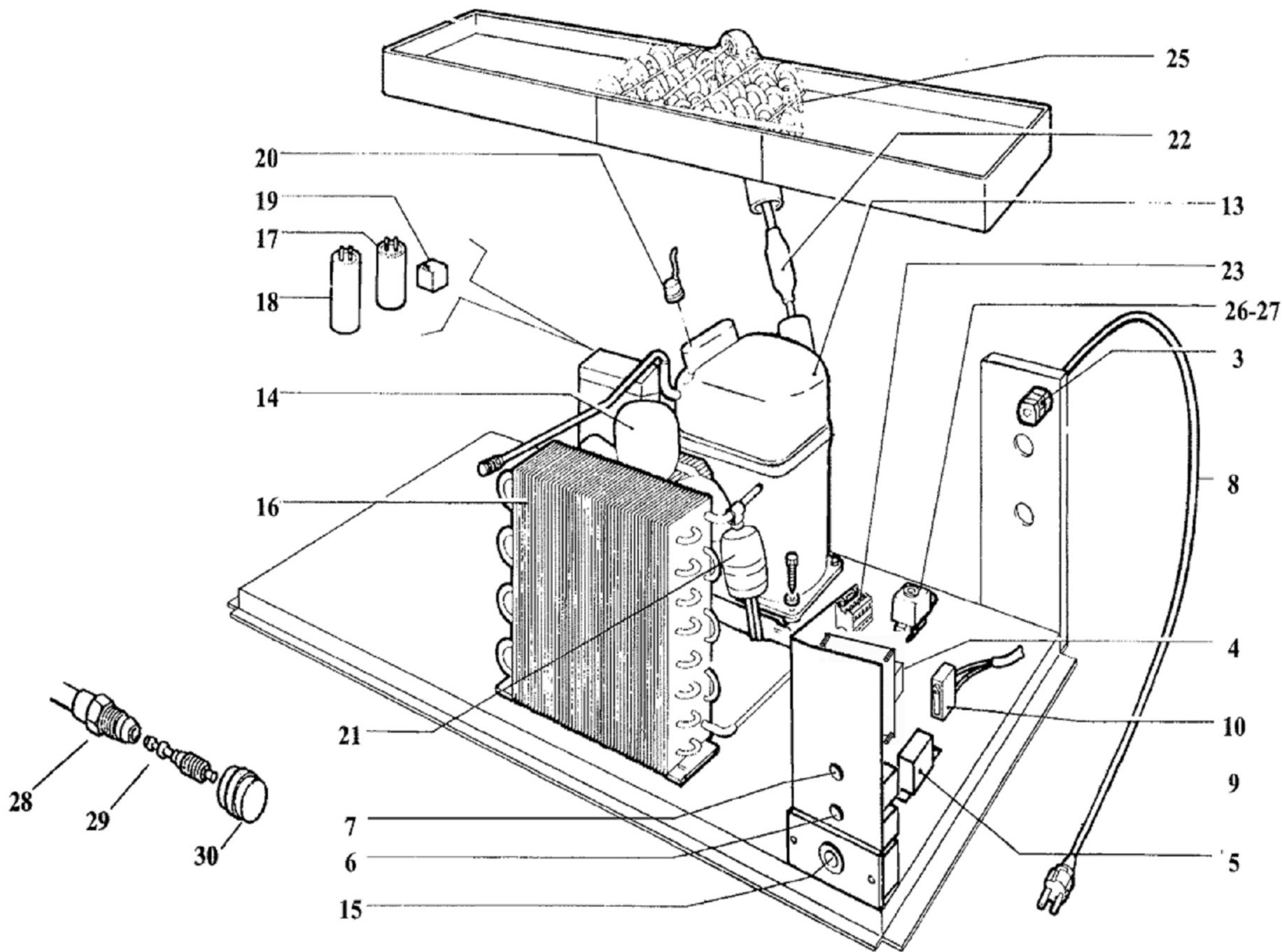
PGC132

Edition 20091201-









Page	Pos	Code	Description	Info
002	001	36M6820	LEG - PG 30-31	01/04/2004-
002	002	PGC132-Pos.002	Name plate facia	01/04/2004-
002	003	PGC132-Pos.003	Model badge	01/04/2004-
002	005	PGC132-Pos.005	STUD	01/04/2004-
002	006	3010140	Door internal plate	01/04/2004-
002	007	PGC132-Pos.007	Rear stud	01/04/2004-
002	009	PGC132-Pos.009	Top panel insulation	01/04/2004-
002	010	PGC132-Pos.010	Top panel assy	01/04/2004-
002	011	PGC132-Pos.011	Left side panel	01/04/2004-
002	012	PGC132-Pos.012	Right side panel	01/04/2004-
002	013	3010150	Door assy	01/04/2004-
002	014	PGC132-Pos.014	Base assy	01/04/2004-
002	015	PGC132-Pos.015	Front support	01/04/2004-
002	016	PGC132-Pos.016	Pump support panel	01/04/2004-
002	017	PGC132-Pos.017	Top panel	01/04/2004-
002	018	PGC132-Pos.018	Rear panel	01/04/2004-
002	019	PGC132-Pos.019	Front panel	01/04/2004-
003	001	30Q1550	Pump feeding filter	01/04/2004-
003	002	3016530	WASHER	01/04/2004-
003	003	3016540	Washer	01/04/2004-
003	004	3016550	Nut	01/04/2004-
003	005	3016560	Nut	01/04/2004-
003	006	3016570	Pump feelding pipe- fitting	01/04/2004-
003	007	3016580	Pump inlet water pipe- fitting	01/04/2004-
003	008	3005190	Pump inlet water pipe	01/04/2004-
003	009	3005200	Pump feeding pipe	01/04/2004-
003	010	32M6430	Water pump assy	01/04/2004-
003	011	3005210	PLUG	01/04/2004-
003	012	3005220	Spray bar feeding pipe	01/04/2004-
003	013	33T3230	SPRAY JET	01/04/2004-
003	014	3016590	O-ring	01/04/2004-
003	015	3016790	Pump cover insulation	01/04/2004-
003	016	3016800	Spray bar	01/04/2004-
004	001	3016810	Cube deflector	01/04/2004-
004	002	3016530	WASHER	01/04/2004-
004	003	PGC132-Pos.003	Knurled screw	01/04/2004-
004	004	3016550	Nut	01/04/2004-
004	005	3096090	Spray curtain flap	01/04/2004-
004	006	3021690	Bin exhaust pipe fitting	01/04/2004-
004	007	PGC132-Pos.007	O-ring	01/04/2004-
004	008	PGC132-Pos.008	Evaporator support	01/04/2004-
004	009	PGC132-Pos.009	Bin support	01/04/2004-
004	010	33D2760	Overflow exhaust pipe	01/04/2004-
004	011	PGC132-Pos.011	Screw	01/04/2004-
004	012	PGC132-Pos.012	Spray curtain bar	01/04/2004-
004	013	3016820	WASHER	01/04/2004-
004	014	3016830	Overflow exhaust	01/04/2004-
004	015	3016840	Nut M27	01/04/2004-
004	016	33M1470	RUBBER PIPE	01/04/2004-
004	017	PGC132-Pos.017	Gasket	01/04/2004-
004	018	PGC132-Pos.018	Ice scoop	01/04/2004-

Page	Pos	Code	Description	Info
004	019	33M1480	Elbow with ring nut	01/04/2004-
004	020	3018190	Retainer for door bar	01/04/2004-
004	021	PGC132-Pos.021	Kit bin assy	01/04/2004-
004	022	PGC132-Pos.022	Bin	01/04/2004-
004	023	3244550	Curtain flap assy	01/04/2004-
004	024	33D2780	Electric valve	01/04/2004-
004	025	3111970	Bin exhaust pipe	01/04/2004-
004	026	3003210	Water exhaust	01/04/2004-
004	027	3016850	PLASTIC TUBE - PER METER	01/04/2004-
004	028	3016860	Pipe	01/04/2004-
004	029	3016870	Support	01/04/2004-
004	030	PGC132-Pos.030	Door support bar	01/04/2004-
005	003	PGC132-Pos.003	Cable terminal ring	01/04/2004-
005	004	3209970	ELECTRONICTIMER	01/12/2009-
005	005	32V4440	Pressure gauge	01/04/2004-
005	006	3034730	BIN THERMOSTAT	01/04/2004-
005	007	32V4400	EVAPORATOR THERMOSTAT	01/04/2004-
005	008	PGC132-Pos.008	Electric cable	01/04/2004-
005	010	32V4340	Switch	01/04/2004-
005	013	34D9170	Compressor CAJ9510Z	01/04/2004-
005	014	32M6680	Electric fan	01/04/2004-
005	015	3040550	SAFETY THERMOSTAT	01/04/2004-
005	016	34D9860	Air condenser	01/04/2004-
005	017	PGC132-Pos.017	Running capacitor	01/04/2004-
005	018	3005250	Start capacitor	01/04/2004-
005	019	32Y0080	Starting ralay	01/04/2004-
005	020	3200610	Thermic protector	01/04/2004-
005	021	3016910	Filter	01/04/2004-
005	022	PGC132-Pos.022	Accumulator assy	01/04/2004-
005	023	PGC132-Pos.023	Contactora	01/04/2004-
005	025	3009320	Evaporator plate	01/04/2004-
005	026	33D2910	Hot gas valve body	01/04/2004-
005	027	32V4320	SOLENOID VALVE COIL	01/04/2004-
005	028	33D2920	VALVE BODY	01/04/2004-
005	029	36G9590	VALVE PISTON	01/04/2004-
005	030	36Q1840	VALVE CAP	01/04/2004-