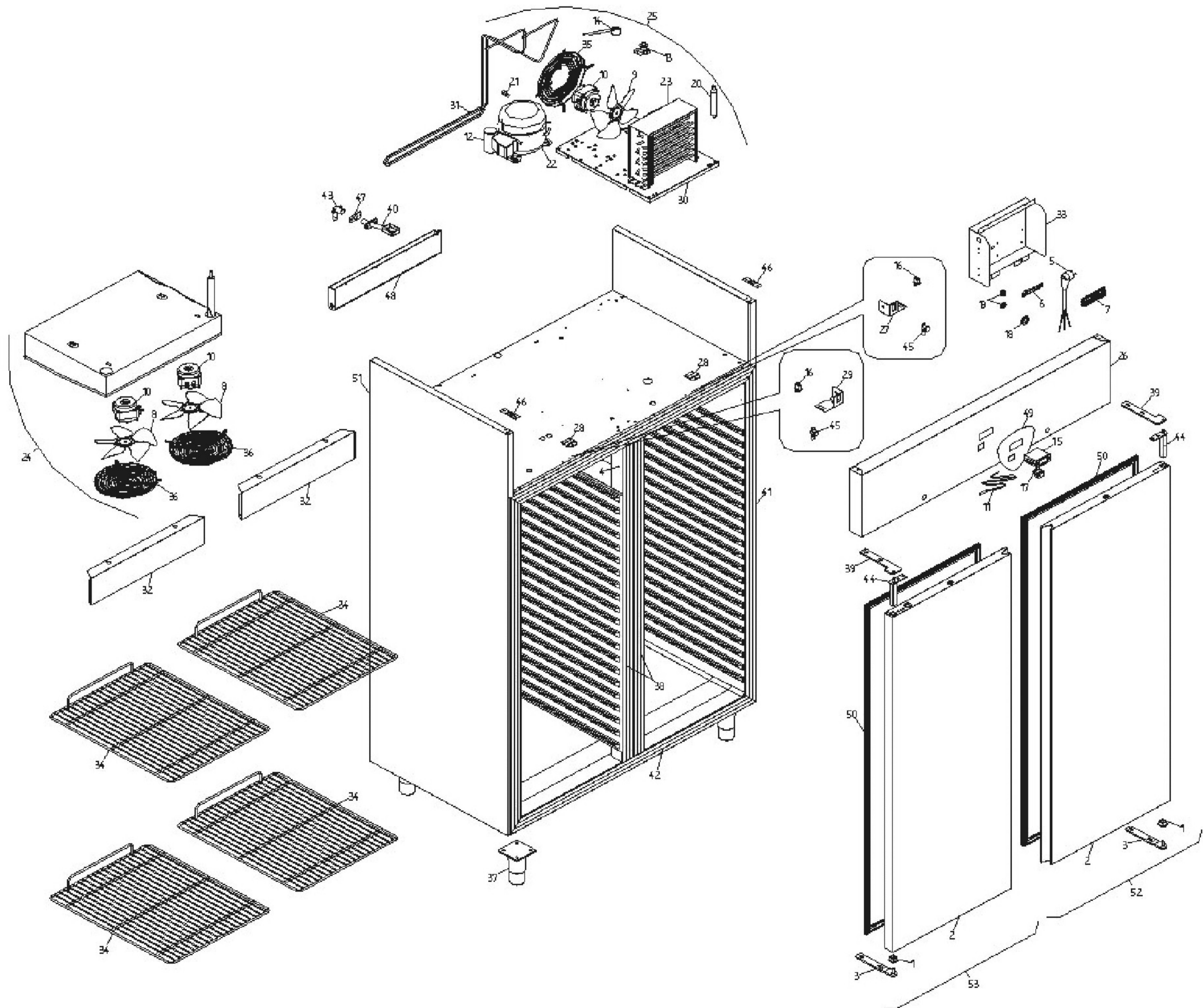




**S1200**

**Edition 20060905-**



Pos	Code	Description	Info
001	3178300	PLUG	15/06/2002-
002	30F0910	FRIDGE DOOR	15/06/2002-
003	30T7190	BOTTOM BRACKET	15/06/2002-
004	30A3530	INTERMEDIATE PANEL	15/06/2002-
005	32A2200	POWER SUPPLY CABLE	15/06/2002-
006	32D0020	CABLE CLAMP Ø 4 - 12	15/06/2002-
007	32D0750	TERMINAL BOARD	15/06/2002-
008	32M1550	FAN	15/06/2002-
009	32M2510	FAN	15/06/2002-
010	32M6870	FAN MOTOR	15/06/2002-
011	32V6000	PROBE NTC	15/06/2002-
012	32V1500	CONDENSER	15/06/2002-
013	32V3880	RELAY	15/06/2002-
014	32V3890	ENGINE CUTOUT	15/06/2002-
015	32V5970	THERMOREGULATOR	15/06/2002-
016	32W3770	MICROSWITCH	15/06/2002-
017	32W3970	BIPOLAR SWITCH	15/06/2002-
018	32X0120	GROMMET Ø 21	15/06/2002-
019	32X0140	GROMMET Ø13,5-Ø25	15/06/2002-
020	33A0180	FILTER	15/06/2002-
021	33A1200	AUXIL.VALVE	15/06/2002-
022	34D6150	COMPRESSOR	15/06/2002-
023	34D6170	CONDEN.+BAFF	15/06/2002-
024	34D9360	EVAPORATOR	15/06/2002-
025	34D9890	MOTOR UNIT	15/06/2002-
026	35E7300	CONTROL BOARD	15/06/2002-
027	35R9260	LOCK SUPPORT	15/06/2002-
028	3065480	SUPPORT	05/09/2006-
029	35U4230	LOCK SUPPORT	15/06/2002-
030	35W0462	TRAY ASS.Y	15/06/2002-
031	35X5271	PIPE COIL	15/06/2002-
032	35Y2880	EVAPORATOR GUARD	15/06/2002-
033	35Y3960	COMPONENT GUARD	15/06/2002-
034	36A0710	GRID	15/06/2002-
035	36C2031	FAN GUARD	15/06/2002-
036	36C4790	FAN.PROT.	15/06/2002-
037	36C5550	FOOT	18/11/2002-
038	36D3940	FRAME BORDER	15/06/2002-
039	36E2120	TOP BRACKET	15/06/2002-
040	36E2270	CONDENS. DRAIN	15/06/2002-
041	36E3280	FRAME TRIM	15/06/2002-
042	36E3470	FRAME TRIM	15/06/2002-
043	36E3870	CONDENS. DRAIN	15/06/2002-
044	36G6520	HINGE	15/06/2002-
045	36M7070	KEY LOCK	15/06/2002-
046	36M7080	HINGE	15/06/2002-
047	36Z1410	GASKET	15/06/2002-
048	36Z1530	COND. TRAY	15/06/2002-
049	37N3610	SILK-SCREE.PANEL	15/06/2002-
050	37Q4850	DOOR GASKET	15/06/2002-
051	40K0693	BODY	15/06/2002-

<b>Pos</b>	<b>Code</b>	<b>Description</b>	<b>Info</b>
052	60A2170	DOOR UNIT	15/06/2002-
053	60A2180	DOOR UNIT	15/06/2002-