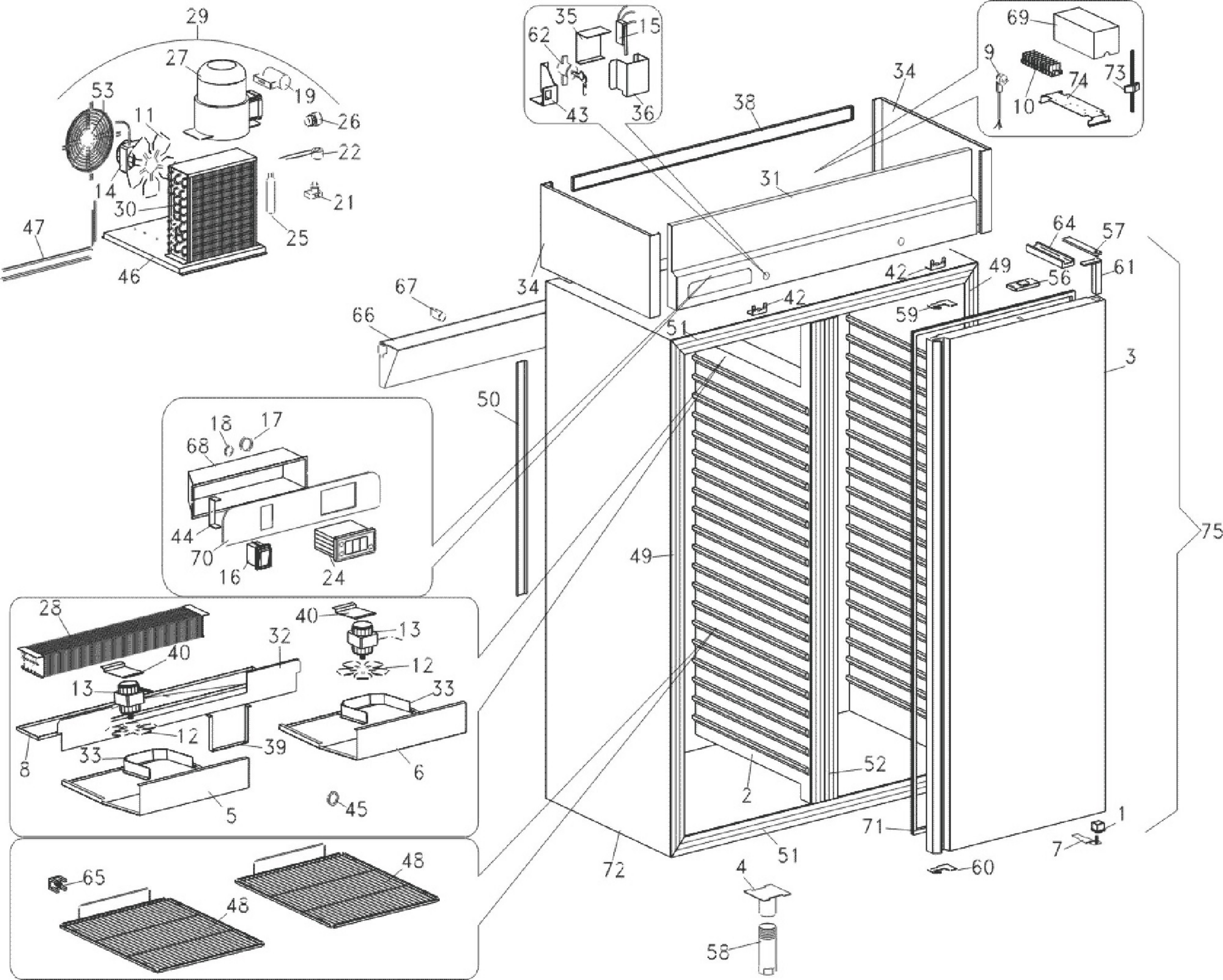




S125

Edition 20030709-



Pos	Code	Description	Info
001	3178300	PLUG	01/07/1997-
002	30A3530	INTERMEDIATE PANEL	01/07/1997-
003	30F1020	FRIDGE DOOR	15/12/2001-
004	3AT1150	FOOT HOUSING	01/07/1997-
005	30F0530	LEFT EVAP. G	07/07/1999-
006	30F0540	RIGHT EVAPOR	05/07/1999-
007	30T5810	BOTTOM BRACKET	01/07/1997-
008	30W0590	TRAY	01/07/1997-
009	32A2200	POWER SUPPLY CABLE	01/07/1997-
010	32D0750	TERMINAL BOARD	01/07/1997-
011	32M2510	FAN	01/07/1997-
012	32M3280	FAN	01/07/1997-
013	32M6860	FAN MOTOR	10/12/2001-
014	32M6870	FAN MOTOR	07/12/2001-
015	32W1320	MICROSWITCH	01/07/1997-
016	32W2331	BIPOLAR SWITCH	01/07/1997-
017	32X0120	GROMMET Ø 21	01/07/1997-
018	32X0140	GROMMET Ø13,5-Ø25	01/07/1997-
019	32V1490	CONDENSER	01/04/1998-
021	32V1260	RELAY	01/04/1998-
022	32V1410	ENGINE CUTOU	01/04/1998-
025	33A0180	THERMOREGULATOR FILTER	01/07/1997-
026	33A1200	AUXIL.VALVE	01/07/1997-
027	34D6520	COMPRESSOR	01/04/1998-
028	34D4300	EVAPORATOR	01/07/1997-
029	34D7120	MOTOR UNIT	01/04/1998-
030	34D6170	CONDEN.+BAFF	01/04/1998-
031	3AA2150	CONTROL BOARD	01/07/1997-
032	35P1530	CONVEYOR	12/05/1999-
033	35P1540	CONVEYOR	29/04/1999-
034	35G1330	MOTOR ROOM HEAD	01/07/1997-
035	35G6520	COVER	01/07/1997-
036	35Q7350	MICROSWITCH GUARD	01/07/1997-
038	35S2490	STIFFENING	01/07/1997-
039	35S2500	GUARD	01/07/1997-
040	35Y3830	FAN SUPPORT	10/12/2001-
042	35V0880	STIFFENING	01/07/1997-
043	35V0890	LOCK SUPPORT	01/07/1997-
044	35V1010	CONTROL BOARD C	01/07/1997-
045	32X0200	GROMMET Ø7.5-Ø11.5	01/07/1997-
046	35W0462	TRAY ASS.Y	24/07/2000-
047	35X3260	PIPE COIL	01/07/1997-
048	36A0710	GRID	01/07/1997-
049	36C1290	TRIM FRAME	28/06/1999-
050	36C1260	TRIM	01/07/1997-
051	36C1290	TRIM FRAME	01/07/1997-
052	36D3940	FRAME BORDER	25/10/1999-
053	36C2031	FAN GUARD	01/07/1997-
056	36D9480	LOCK BRACKET	01/07/1997-
057	36D9490	TOP BRACKET	01/07/1997-
058	36C3940	ST-STEEL FO	22/07/1999-

Pos	Code	Description	Info
059	36D9980	TOP HANDLE GUARD	01/07/1997-
060	36D9990	BOTTOM HANDLE GUARD	01/07/1997-
061	36G6520	HINGE	01/07/1997-
062	36M0140	KEY LOCK	01/07/1997-
064	3600770	SPACER	01/07/1997-
065	36Z0490	ENGINE CUTOFF	01/07/1997-
066	36Z1060	COND. TRAY	13/04/1999-
067	36Z0610	DIAPHRAGM	01/07/1997-
068	36Z6410	COMPONENT GUARD	01/07/1997-
069	36E2170	PANEL-BOARD COVER	19/03/2001-
070	36Z6401	CONTROL BOARD	09/07/2003-
071	37Q1020	DOOR GASKET	01/07/1997-
072	40K0011	BODY	01/07/1997-
073	32D0020	CABLE CLAMP Ø 4 - 12	01/07/1997-
074	35R3480	PANEL BOARD	09/12/1998-
075	6012000	DOOR UNIT	15/12/2001-