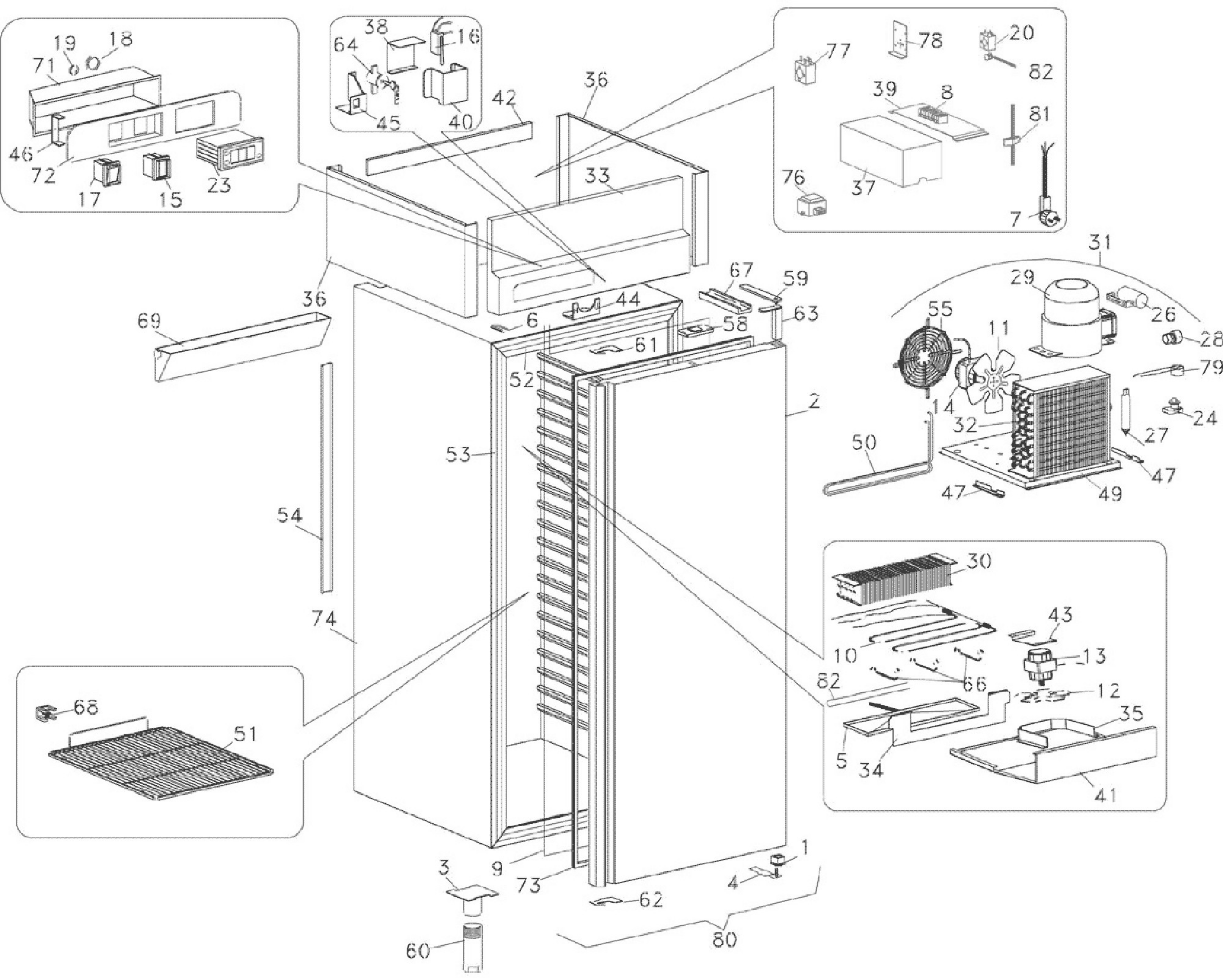




S60B

Edition 20030709-



Pos	Code	Description	Info
001	3178300	PLUG	01/01/1996-
002	30F1020	FRIDGE DOOR	15/12/2001-
003	3AT1150	FOOT HOUSING	10/03/1997-
004	30T5810	BOTTOM BRACKET	01/01/1996-
005	30W0701	TANK	02/10/1996-
006	3178310	PLUG	01/01/1996-
007	32A2200	POWER SUPPLY CABLE	05/08/1997-
008	32D0740	TERMINAL BOARD	12/02/1999-
009	32G1170	HEATING ELEMENT	01/01/1996-
010	32G1970	HEATING ELEMENT	01/01/1996-
011	32M1080	FAN	01/01/1996-
012	32M3280	FAN	01/01/1996-
013	32M6860	FAN MOTOR	10/12/2001-
014	32M6870	FAN MOTOR	07/12/2001-
015	32W0271	LIGHT	01/01/1996-
016	32W1320	MICROSWITCH	01/01/1996-
017	32W2331	BIPOLAR SWITCH	01/01/1996-
018	32X0120	GROMMET Ø 21	12/02/1999-
019	32X0140	GROMMET Ø13,5-Ø25	01/01/1996-
020	32Z1090	THERMOSTAT	12/02/1999-
023	32V2120	DIGITAL THERMOREGULATOR	12/02/1999-
024	32Z9410	RELAY	15/04/1996-
026	32Z9430	CONDENSER	15/04/1996-
027	33A0180	FILTER	01/01/1996-
028	33A1200	AUXIL.VALVE	01/01/1996-
029	34D5360	COMPRESSOR	15/04/1996-
030	34D4631	EVAPORATOR	01/01/1996-
031	34D4740	MOTOR ASS.Y	01/01/1996-
032	34D4801	CONDENSER	18/12/1996-
033	3AA2140	CONTROL BOARD	01/01/1996-
034	35C4690	CONVEYOR	01/01/1996-
035	35P1540	CONVEYOR	29/04/1999-
036	35G1330	MOTOR ROOM HEAD	01/01/1996-
037	36E0980	PANEL-BOARD COVER	12/02/1999-
038	35G6520	COVER	01/01/1996-
039	35R6810	PANEL BOARD	12/02/1999-
040	35Q7350	MICROSWITCH GUARD	01/01/1996-
041	35R7210	EVAPORATOR G	29/04/1999-
042	35S2380	STIFFENING	01/01/1996-
043	35Y3830	FAN SUPPORT	10/12/2001-
044	35V0880	STIFFENING	01/01/1996-
045	35V0890	LOCK SUPPORT	01/01/1996-
046	35V1010	CONTROL BOARD C	01/01/1996-
047	35V1710	TRAY TRIM	01/01/1996-
049	35W4350	TRAY ASS.Y	01/01/1996-
050	35X3330	PIPE COIL	01/01/1996-
051	36A0710	GRID	01/01/1996-
052	36C1240	TRIM FRAME	01/01/1996-
053	36C1290	TRIM FRAME	28/06/1999-
054	36C1260	TRIM	01/01/1996-
055	36C2020	FAN GUARD	01/01/1996-

Pos	Code	Description	Info
058	36D9480	LOCK BRACKET	01/01/1996-
059	36D9490	TOP BRACKET	01/01/1996-
060	36C3940	ST-STEEL FO	22/07/1999-
061	36D9980	TOP HANDLE GUARD	01/01/1996-
062	36D9990	BOTTOM HANDLE GUARD	01/01/1996-
063	36G6520	HINGE	01/01/1996-
064	36M0140	KEY LOCK	01/01/1996-
066	36M2300	SPRING	01/01/1996-
067	3600770	SPACER	01/01/1996-
068	36Z0490	ENGINE CUTOUT	01/01/1996-
069	36Z0571	DRIP TRAY	29/02/1996-
071	36Z6410	COMPONENT GUARD	01/01/1996-
072	36Z6401	CONTROL BOARD	09/07/2003-
073	37Q1020	DOOR GASKET	01/01/1996-
074	40K0009	BODY	01/01/1996-
076	32Z3470	TRANSFORMER	12/02/1999-
077	32V3720	RELAY	20/07/2000-
078	35T4840	TIMER SUPPORT	12/02/1999-
079	32Z9420	ENGINE CUTOUT	15/04/1996-
080	6012000	DOOR UNIT	15/12/2001-
081	32D0020	CABLE CLAMP Ø 4 - 12	12/02/1999-
082	32G2420	HEATING ELEMENT	28/07/1997-