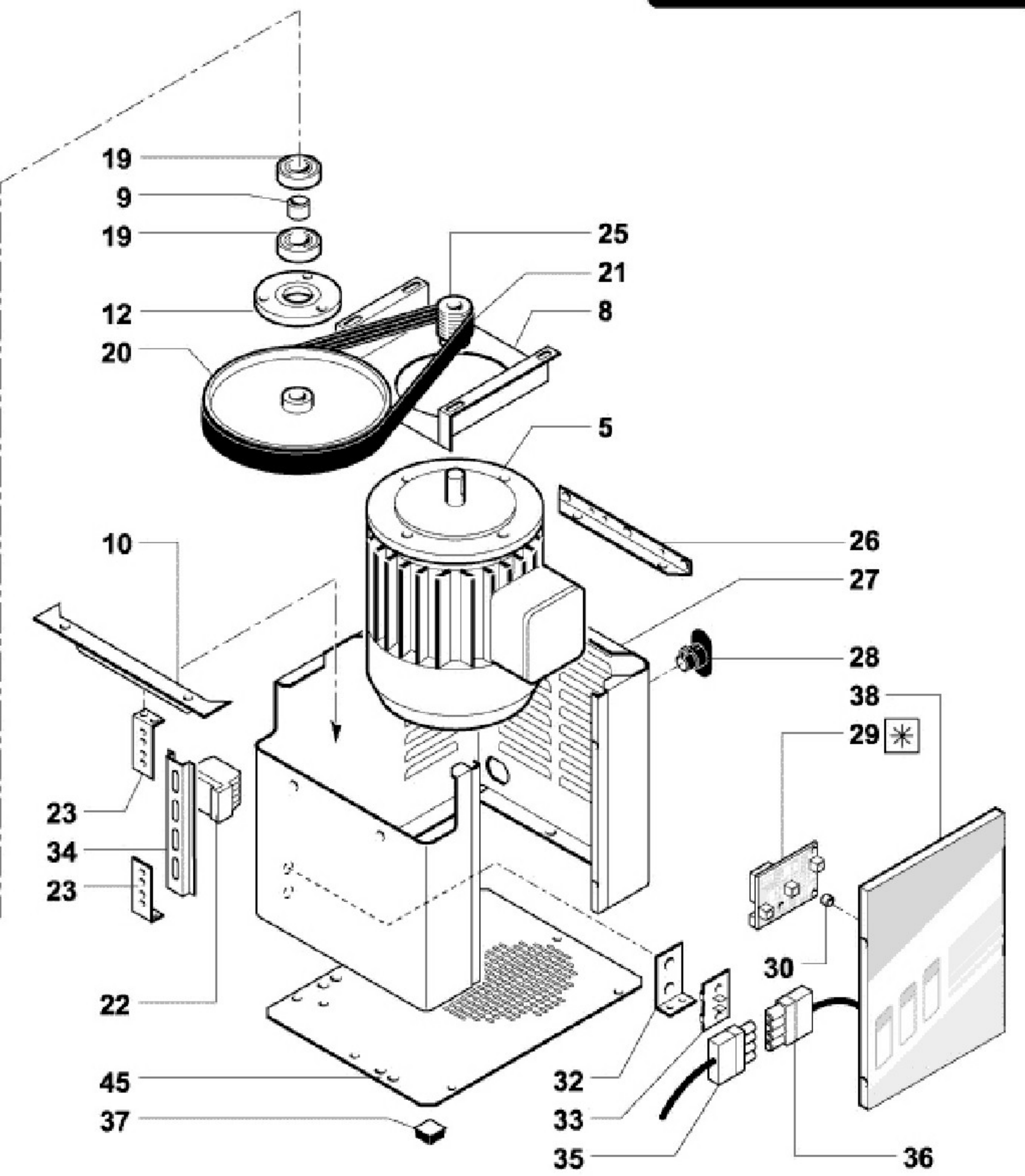
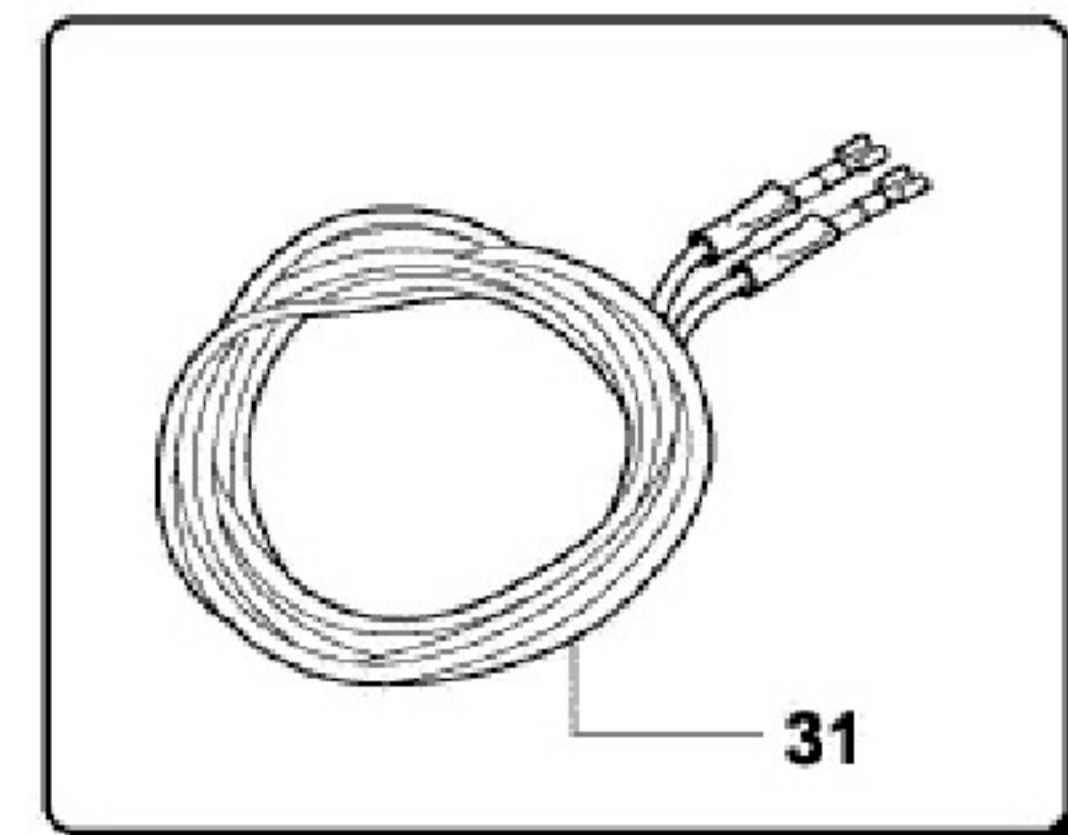
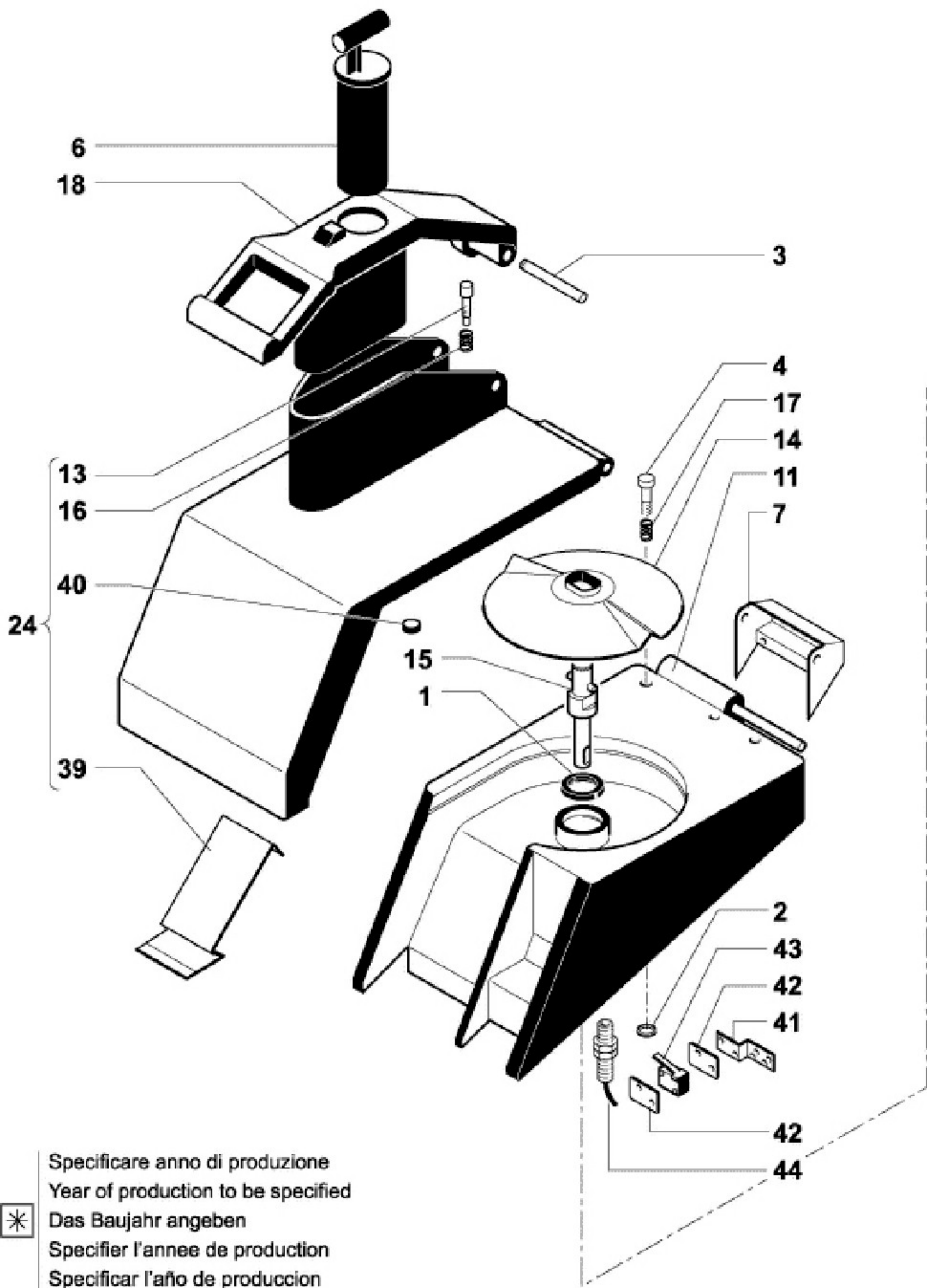




**TV1**

**Edition 19950401-**



\* Specificare anno di produzione  
 Year of production to be specified  
 Das Baujahr angeben  
 Specifier l'annee de production  
 Specificar l'afno de produccion

Pos	Code	Description	Info
001	3151280	WASHER	01/04/1995-
002	3151690	WASHER	01/04/1995-
003	3190900	LOCKPIN	01/04/1995-
004	3190920	PIN	01/04/1995-
005	32M0330	MOTOR	01/04/1995-
006	6000770	PUSHER ASS.Y	01/04/1995-
007	35Q8340	EL. PLATE PROTECTION	01/04/1995-
008	35V2970	SUPPORT	01/04/1995-
009	35V3000	SPACER	01/04/1995-
010	35V5590	PROFILE "T"	01/04/1995-
011	3600930	CHAMBER	01/04/1995-
012	3600940	RING NUT	01/04/1995-
013	36D2621	PIN	01/04/1995-
014	36G6960	EXPELLER	01/04/1995-
015	36G6970	DRIVE SHAFT	01/04/1995-
016	36G6980	SPRING	01/04/1995-
017	36G7060	SPRING	01/04/1995-
018	6000760	LEVER ASS.Y	01/04/1995-
019	36F0090	BEARING	01/04/1995-
020	36G6600	PULLEY	01/04/1995-
021	36G6610	BELT	01/04/1995-
022	32Z4840	RELAY	01/04/1995-
023	35V2930	PLATE	01/04/1995-
024	6000690	COVER ASS.Y	01/04/1995-
025	36G0030	FLAT PULLEY	01/04/1995-
026	35V2920	"L" BRACKET	01/04/1995-
027	35W4520	UP BOARD	01/04/1995-
028	32D0360	CABLE CLAMP	01/04/1995-
029	32Z6990	P.C.B.	01/04/1995-
030	3190050	SPACER	01/04/1995-
031	32Q0300	EL. CABLES	01/04/1995-
032	35V8180	PROFILE	01/04/1995-
033	32D1050	PLATE	01/04/1995-
034	32D0630	"OMEGA" BRACKET	01/04/1995-
035	32D1030	THREE-POLE CONNECTOR	01/04/1995-
036	32D1040	THREE-POLE CONNECTOR	01/04/1995-
037	3178340	FOOT	01/04/1995-
038	6000620	CONTROL-BOARD UNIT	01/04/1995-
039	35Q9390	TORSION SPRING	01/04/1995-
040	3600160	MAGNET	01/04/1995-
041	35V4030	LH SIDE SECTION	01/04/1995-
042	37R0050	ISUL. DIAPHTAGM	01/04/1995-
043	32W2640	MICROSWITCH	01/04/1995-
044	32W3240	MICROSWITCH	01/04/1995-
045	35M8260	BOTTOM PLATE	01/04/1995-