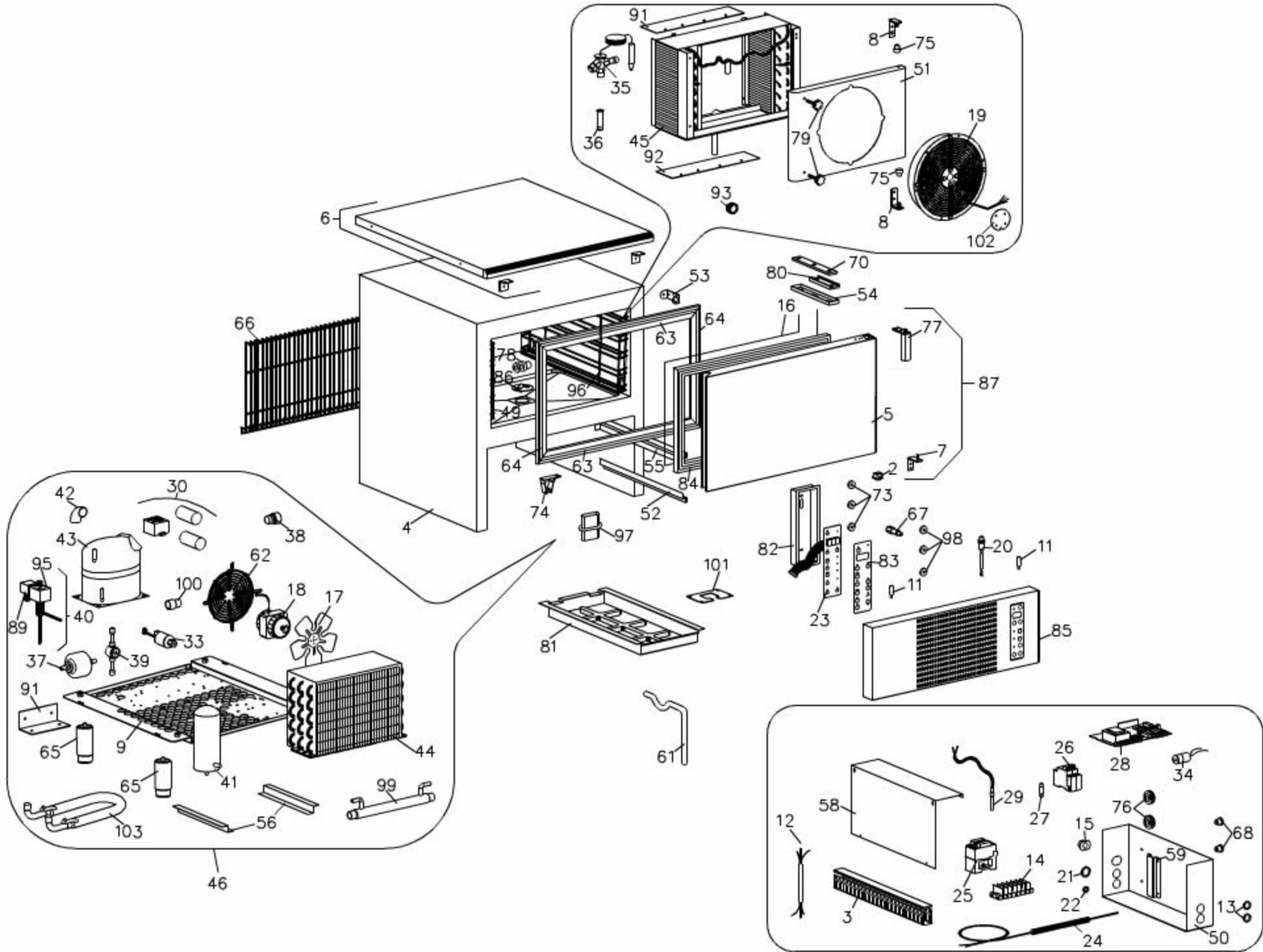




SM1L

Edition 20030916-



Pos	Code	Description	Info
002	3178300	PLUG	01/07/1997-
004	30D5690	FRAME	15/10/1997-
005	30F0450	DOOR	01/07/1997-
005	30F0860	DOOR	26/10/2001-
006	6006280	TOP ASS. Y	01/07/1997-
007	30T2680	BOTTOM BRACKET	01/07/1997-
008	30T2690	BRACKET	01/07/1997-
009	30W4140	TRAY ASS.Y	14/01/2002-
011	36G9570	PIN	16/03/2001-
012	32A2160	POWER SUPPLY CABLE	01/07/1997-
013	32D0220	CABLE CLAMP Ø 16	01/07/1997-
014	32D0740	TERMINAL BOARD	01/07/1997-
015	32D1350	CABLE CLAMP	01/07/1997-
016	32G2020	HEATING ELEMENT	01/07/1997-
017	32M2260	FAN	11/06/2001-
018	32M5840	FAN MOTOR	11/06/2001-
019	32M6220	FAN	12/05/2000-
020	32W1890	MICROSWITCH	01/07/1997-
021	32X0120	GROMMET Ø 21	01/07/1997-
022	32X0220	FAIRLEAD	01/07/1997-
023	32V3050	ELECTRONIC CARD (NR. 2 DISPLAY	12/05/2001-
024	32V0441	PIN PROBE	12/05/2001-
025	32Z9250	SWITCH	01/07/1997-
026	32Z9500	FUSE-HOLDER	01/07/1997-
027	32Z9520	FUSE	01/07/1997-
028	32V3040	ELECTRONIC CARD	12/05/2001-
029	32V0150	TEMP. PROBE	12/05/2001-
030	60A2140	COMPRESSOR KIT	16/09/2003-
032	32V6140	CONDENSER	11/06/2001-
033	32Z9910	PRESSURE-SWITCH	01/07/1997-
034	32Z9920	CONDENSER	01/07/1997-
035	33A0280	THERMOST. VALVE	01/07/1997-
036	33A0840	BORE	04/09/1997-
037	33A0330	FILTER	01/07/1997-
038	33A1200	AUXIL.VALVE	01/07/1997-
039	33D0740	FLOW-ON LIGHT	01/07/1997-
040	33G0070	VALVE	01/07/1997-
041	33G1160	TRAY	15/05/2002-
042	33Q3370	ELBOW	01/07/1997-
043	34D8890	COMPRESSOR	11/06/2001-
044	34D4821	CONDEN.+BAFFLE	11/06/2001-
045	34D5220	EVAPORATOR	01/07/1997-
046	34D5330	MOTOR ASS.Y	01/07/1997-
046	34D9940	MOTOR ASS.Y	11/06/2001-
049	35C3760	RACK 3T NF	21/06/1999-
049	36C4020	LH RACK	15/11/1999-
050	35C5770	PANEL BOARD	01/07/1997-
051	3AA3660	EVAPORATOR GUARD	12/05/2000-
052	35C5830	GUIDE	01/07/1997-
053	35C6250	PROBE SUPPORT	01/07/1997-
054	35C7060	BRACKET PROT.	01/07/1997-

Pos	Code	Description	Info
055	35C7250	GUIDE	01/07/1997-
056	35C7560	"S"FRAME	01/07/1997-
058	35G3370	COVER	01/07/1997-
059	35S4540	"OMEGA" BRACKET	01/07/1997-
061	35X3860	DRAIN PIPE	07/05/1999-
062	36C2010	FAN GUARD	01/07/1997-
063	36C2390	TRIM FRAME	01/07/1997-
064	36C2401	TRIM FRAME	15/10/1997-
065	36C3690	ST-STEEL FO	21/12/2001-
065	36C4770	FOOT	14/01/2002-
066	36E1440	PROTECT GR	05/07/1999-
067	36C2750	SPACER	01/07/1997-
068	36D4440	PIN	01/07/1997-
070	36D9490	TOP BRACKET	01/07/1997-
073	36E0340	SPACER	12/05/2001-
074	36E0350	CABLE CAMP	01/07/1997-
075	36E0410	BUSHING	01/07/1997-
076	36G3940	PULLEY	01/07/1997-
077	36G6520	HINGE	01/07/1997-
078	36G8140	PIN	01/07/1997-
079	36G9560	HANDLE	16/03/2001-
080	3600770	SPACER	01/07/1997-
081	36Z0300	COND. TRAY	01/07/1997-
082	36Z1140	CARD PROTECTION	12/05/2001-
083	37N0470	SILK-SCREE.PANEL	12/05/2001-
084	37Q3810	GASKET	15/10/1997-
085	3AA3720	FRONT PANNEL	12/05/2001-
086	30G3710	PLUG	01/07/1997-
087	6013130	DOOR ASS.Y	01/07/1997-
087	6013320	DOOR ASS.Y	26/10/2001-
088	32Q4070	CABLE ASS.Y	01/07/1997-
089	32D0710	THREE-POLE CONNECTOR	16/05/1998-
091	35Y2280	SUPPORT	11/06/2001-
092	35P0440	TOP EVAP. HEAD	03/05/1999-
093	36Z0490	ENGINE CUTOUT	01/07/1997-
095	32Z2750	COIL	01/07/1997-
096	36C4010	RH RACK	15/11/1999-
097	33Q4390	COUPLING TUBES	12/11/1999-
098	36E2030	SPACER	12/05/2001-
099	34D7590	COOLER	11/06/2001-
100	33Q4800	COUPLING TUBES	11/06/2001-
101	35Y2550	PLATE	15/06/2001-
102	35Y3790	PROTECTION MOTOR	28/11/2001-
103	36A4830	COOLER	17/10/2002-