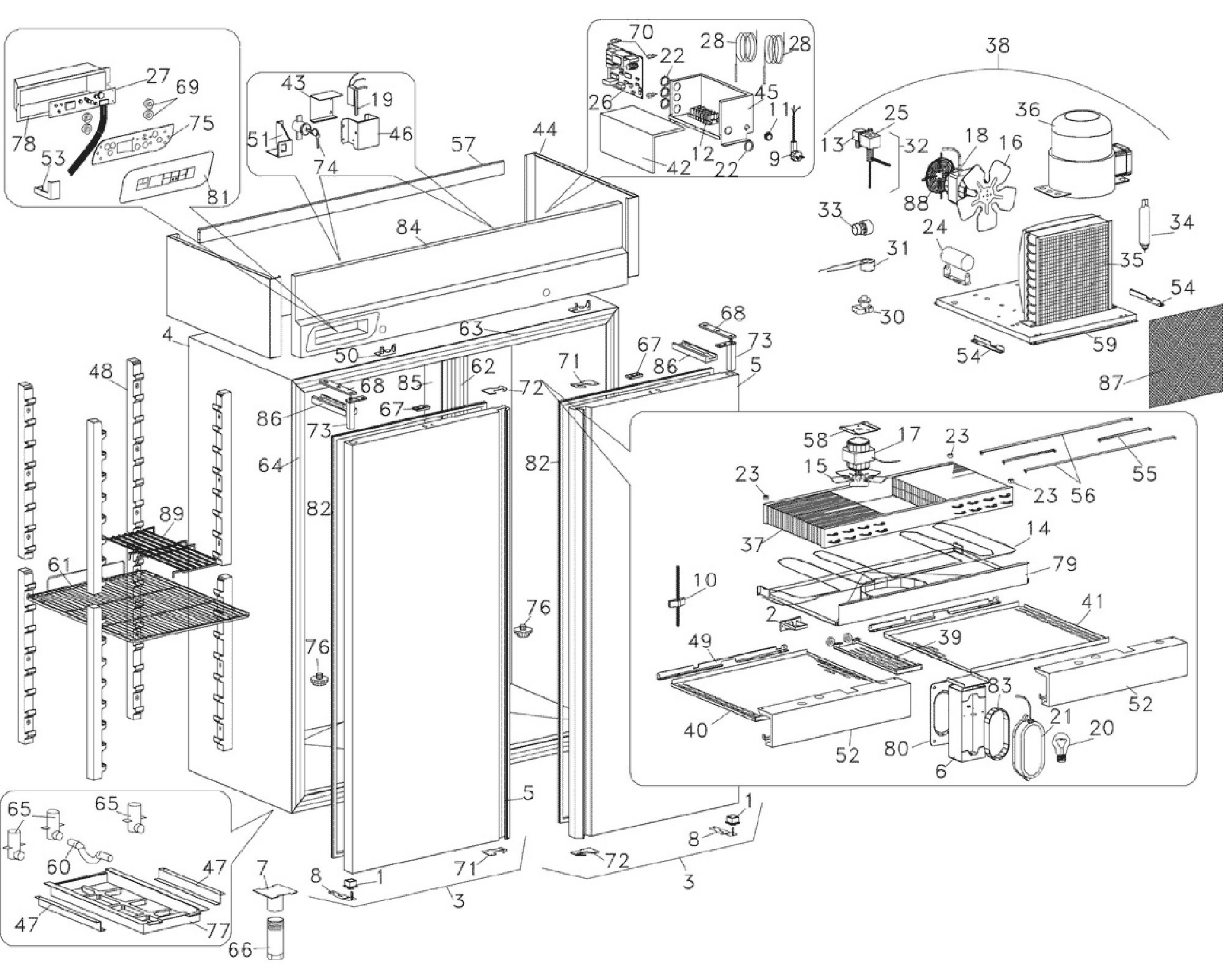




SP120

Edition 20011215-



Pos	Code	Description	Info
001	3178300	PLUG	01/01/1996-
002	3300030	CONDENS. DRAIN	01/01/1996-
003	6011950	DOOR UNIT	15/12/2001-
004	40K4160	BODY	01/01/1996-
005	30F1000	FRIDGE DOOR	15/12/2001-
006	30Q2370	LAMP GUARD	01/01/1996-
007	3AT1150	FOOT HOUSING	10/03/1997-
008	30T5810	BOTTOM BRACKET	01/01/1996-
009	32A2200	POWER SUPPLY CABLE	16/05/1997-
010	32D0020	CABLE CLAMP Ø 4 - 12	01/01/1996-
011	32D0680	CABLE CLAMP	01/01/1996-
012	32D0690	TERMINAL BOARD	01/01/1996-
013	32D0710	THREE-POLE CONNECTOR	01/01/1996-
014	32G1810	HEATING ELEMENT	01/01/1996-
015	32M1080	FAN	01/01/1996-
016	32M1080	FAN	01/01/1996-
017	32M6870	FAN MOTOR	05/12/2001-
018	32M4041	MOTOR	20/11/1996-
019	32W1320	MICROSWITCH	01/01/1996-
020	32W2350	LAMP	01/01/1996-
021	32W2360	LAMP-HOLDER	01/01/1996-
022	32X0120	GROMMET Ø 21	01/01/1996-
023	32X0340	GROMMET	01/01/1996-
024	32V1420	CONDENSER	16/04/1999-
025	32Z2750	COIL	01/01/1996-
026	6006320	P.C.B. (UPRIGHT FRIDGES)	21/03/1997-
027	32V0140	P.C.B.	21/03/1997-
028	32V0150	TEMP. PROBE	21/03/1997-
030	32V1290	RELAY	16/04/1999-
031	32V1450	ENGINE CUTO	16/04/1999-
032	33A0510	DEFROST SOL. VALVE	01/01/1996-
033	33A1200	AUXIL.VALVE	01/01/1996-
034	33A0180	FILTER	01/01/1996-
035	34D7300	CONDENSER	16/04/1999-
036	34D6760	COMPRESSOR	16/04/1999-
037	34D2610	EVAPORATOR	01/01/1996-
038	34D7290	MOTOR UNIT	16/04/1999-
039	35B9590	CENTRAL EVAP.	01/01/1996-
040	35D6830	GUARD LEFT EVAP. GUARD	01/01/1996-
041	35D6840	RIGHT EVAP. GUARD	01/01/1996-
042	35G6350	COVER	01/01/1996-
043	35G6520	COVER	01/01/1996-
044	35G6620	MOTOR ROOM HEAD	01/01/1996-
045	35Q2660	PANEL BOARD	01/01/1996-
046	35Q7350	MICROSWITCH GUARD	01/01/1996-
047	35S3050	TRAY SLIDE	01/01/1996-
048	35T5060	RACK SUPPORT	01/01/1996-
049	35V0360	GUARD SUPPORT	01/01/1996-
050	35V0880	STIFFENING	01/01/1996-
051	35V0890	LOCK SUPPORT	01/01/1996-
052	35V1121	GUARD STANDA	09/01/1997-

Pos	Code	Description	Info
053	35V1620	CONTROL GUARD SUPPORT	01/01/1996-
054	35V1710	TRAY TRIM	01/01/1996-
055	35V2120	RESISTOR FASTENER	01/01/1996-
056	35V2140	RESISTOR FASTENER	01/01/1996-
057	35V2270	STIFFENING	01/01/1996-
058	35V2940	FAN SUPPORT	01/01/1996-
059	35W4350	TRAY ASS.Y	01/01/1996-
060	35X1640	DRAIN TRAP	01/01/1996-
061	36A3010	GRID 600	01/01/1996-
062	36D1250	TRIM FRAME	01/01/1996-
063	36D1270	TRIM FRAME	01/01/1996-
064	36D1290	TRIM FRAME	01/01/1996-
065	36D7100	CONDENS. DRAIN	01/01/1996-
066	36C3940	ST-STEEL FO	22/07/1999-
067	36D9480	LOCK BRACKET	01/01/1996-
068	36D9490	TOP BRACKET	01/01/1996-
069	36D9921	SPACER	22/03/1996-
070	36D9950	SPACER	01/01/1996-
071	36D9980	TOP HANDLE GUARD	01/01/1996-
072	36D9990	BOTTOM HANDLE GUARD	01/01/1996-
073	36G6520	HINGE	01/01/1996-
074	36M0140	KEY LOCK	01/01/1996-
075	3600850	PANEL SUPPORT	01/01/1996-
076	36Q1400	PLUG	01/01/1996-
077	36Z0300	COND. TRAY	01/01/1996-
078	36Z6420	COMPONENT GUARD	01/01/1996-
079	36Z6441	PLASTIC-COATED TRAY 860X432X85	01/01/1996-
080	37M4740	LAMP PANEL	01/01/1996-
081	37M4850	PLASTIC COATED PANEL	01/01/1996-
082	37Q2590	DOOR GASKET	01/01/1996-
083	37Q7370	LAMP GASKET	01/01/1996-
084	3AA1360	CONTROL BOARD	01/01/1996-
085	30T6080	CENTRAL RISER	01/01/1996-
086	3600770	SPACER	01/01/1996-
087	36D5560	FILTER	01/01/1996-
088	36C2020	FAN GUARD	01/01/1996-
089	36A3060	UNION GRID	11/10/1996-