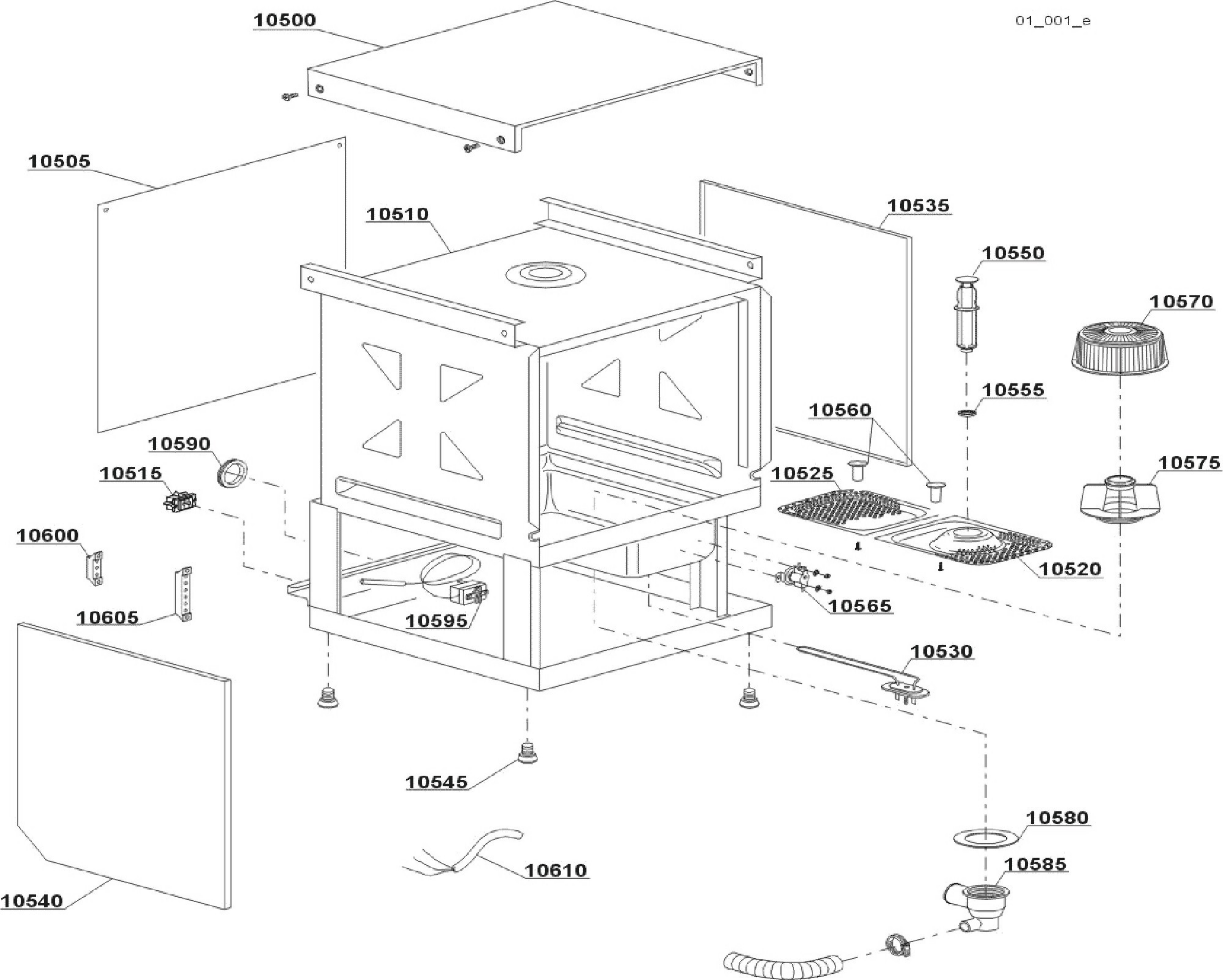


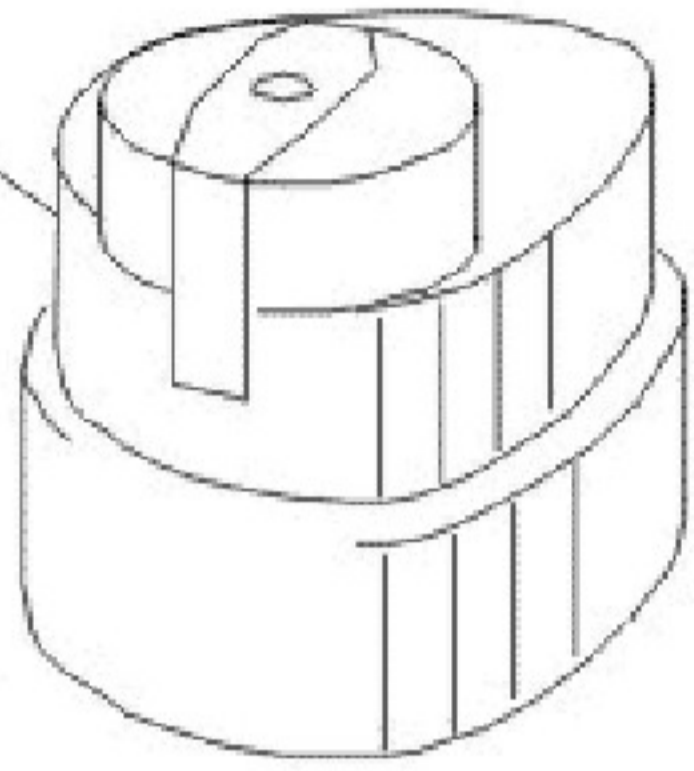


KD40LSPS

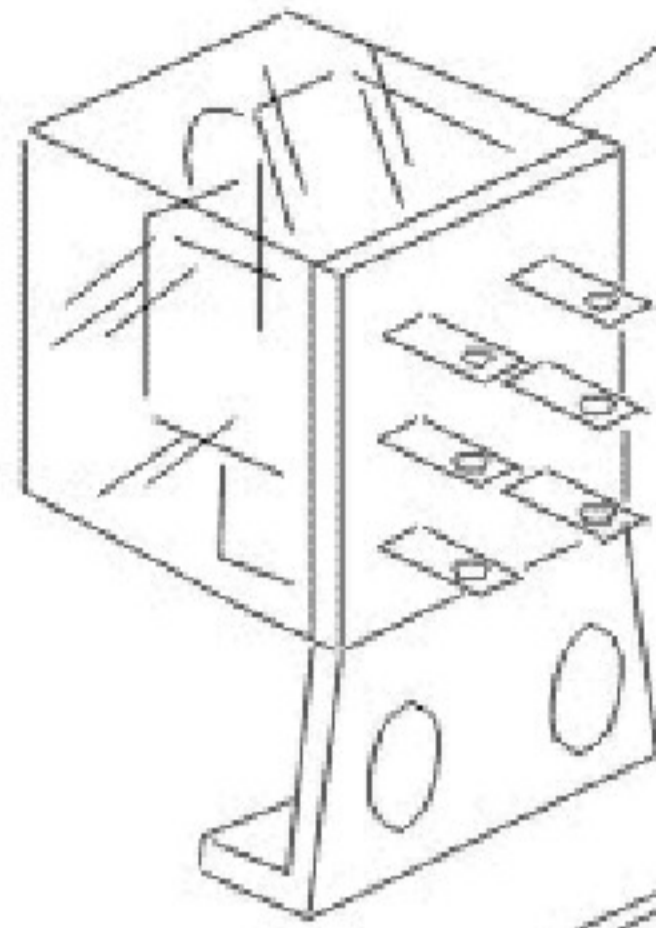
Edition 20070901-



11610



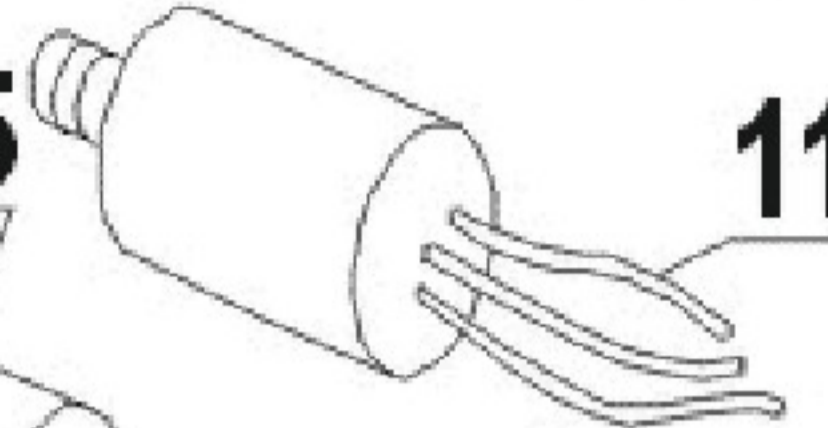
11605



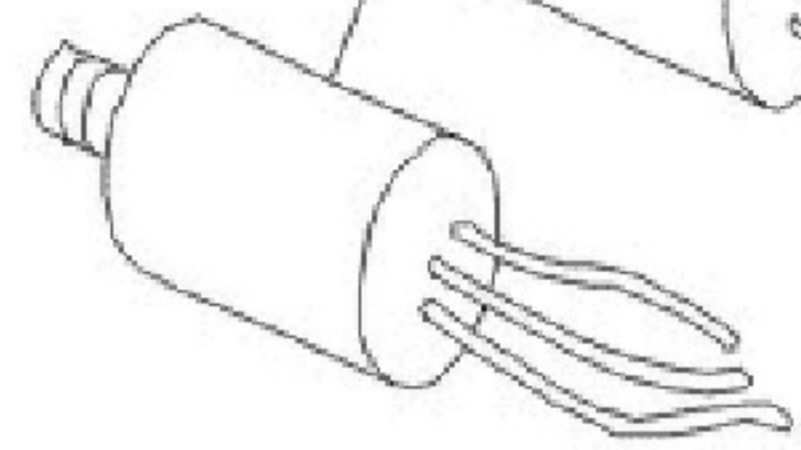
11625



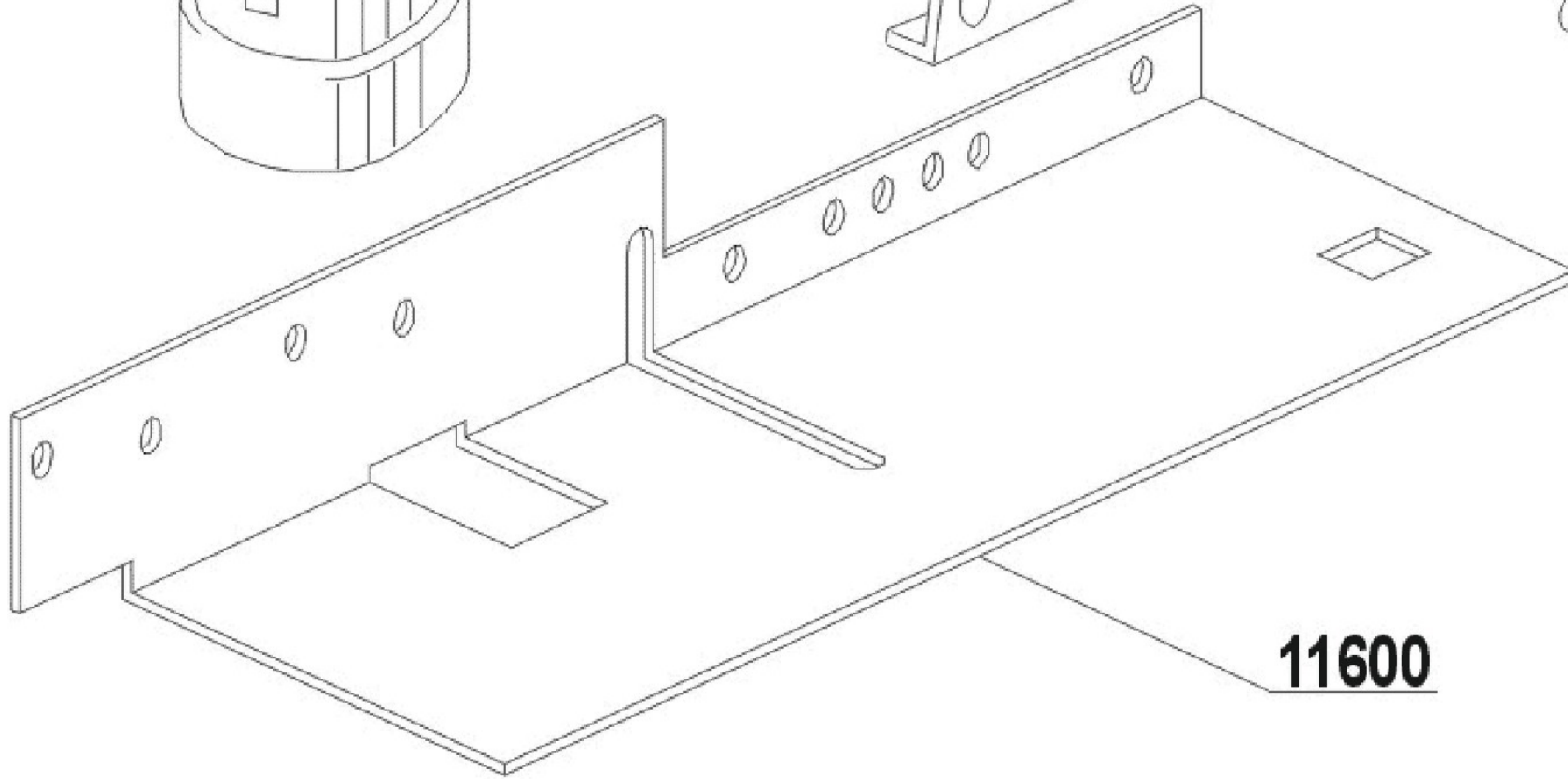
11625

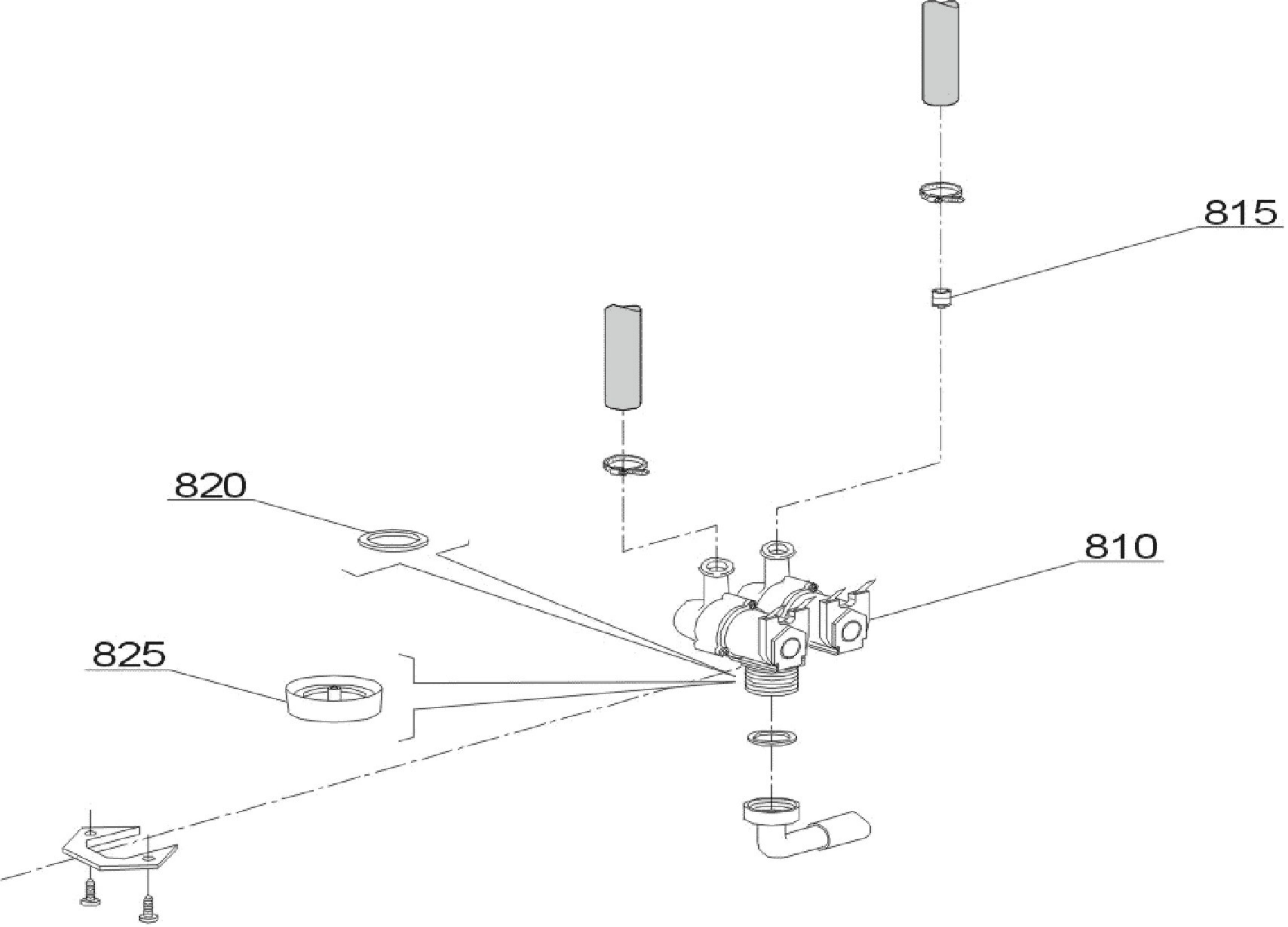


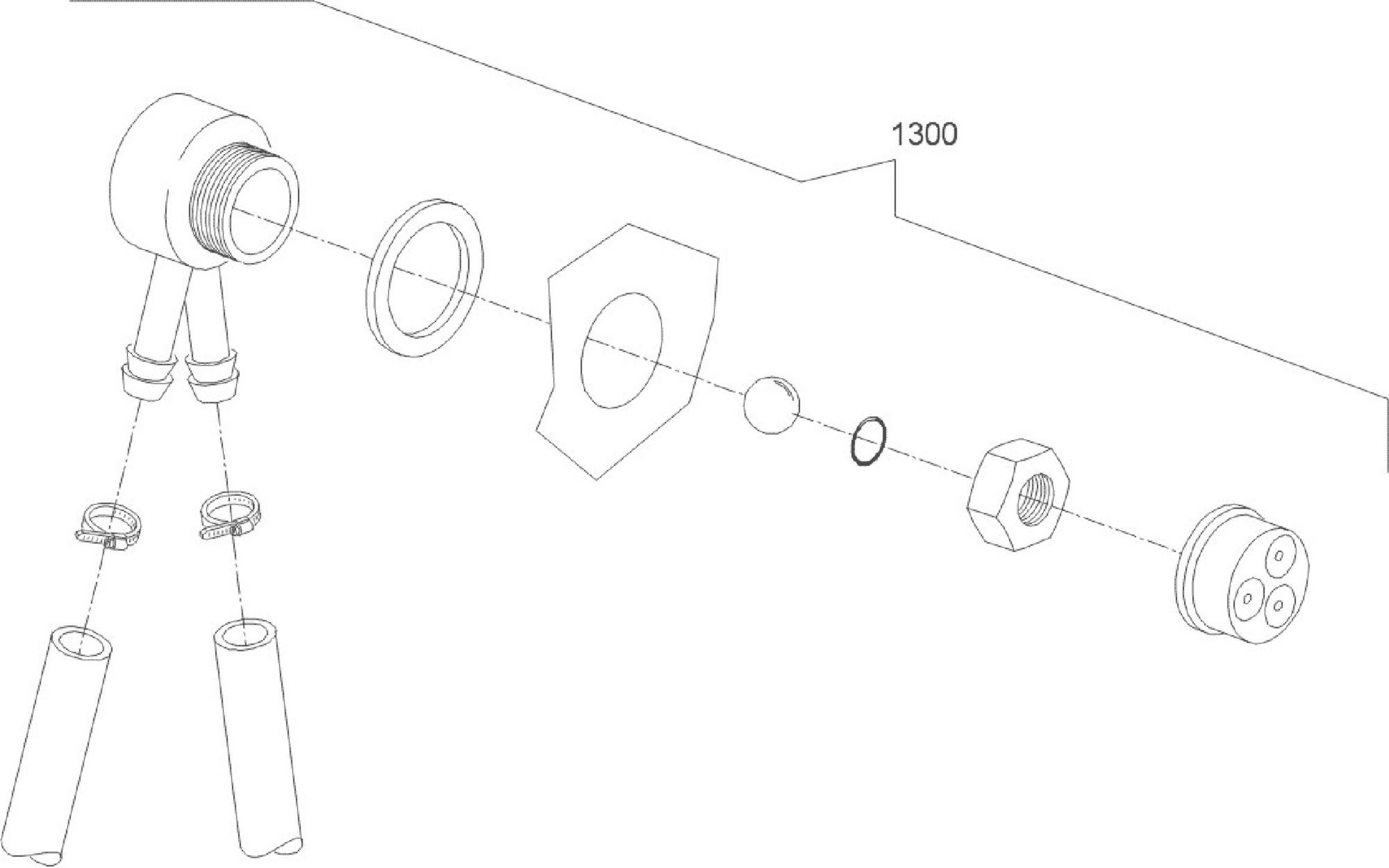
11625

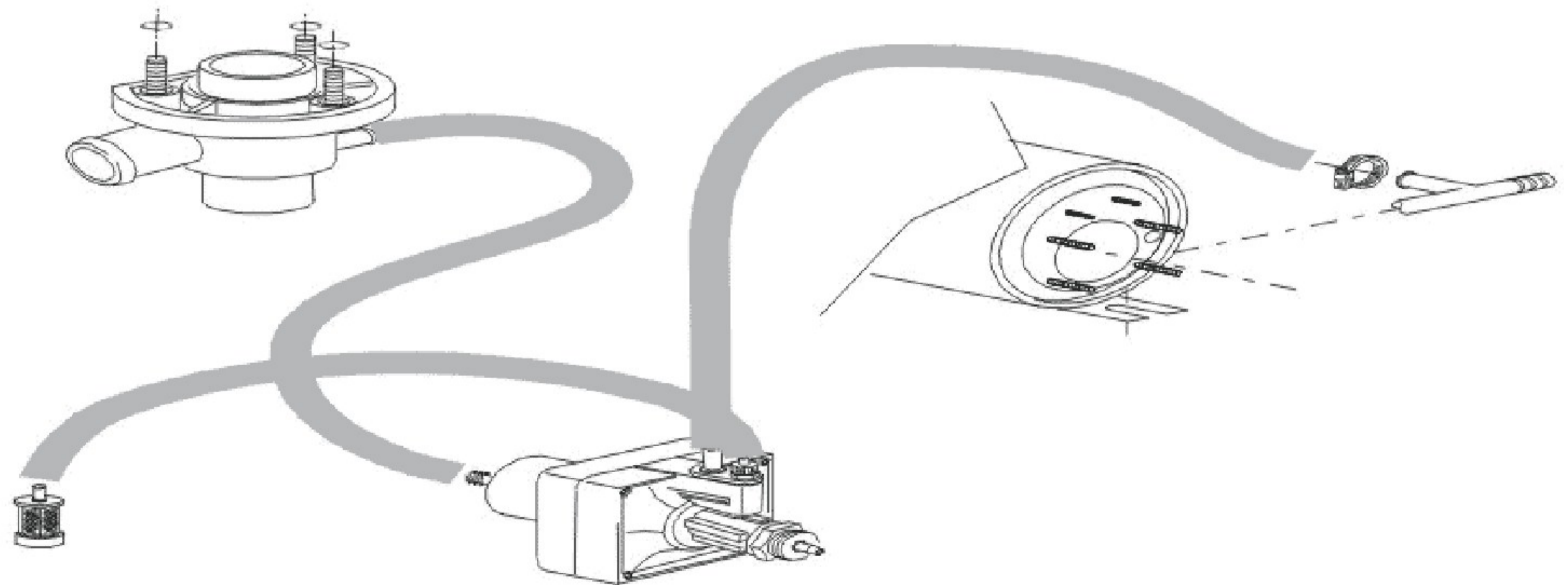
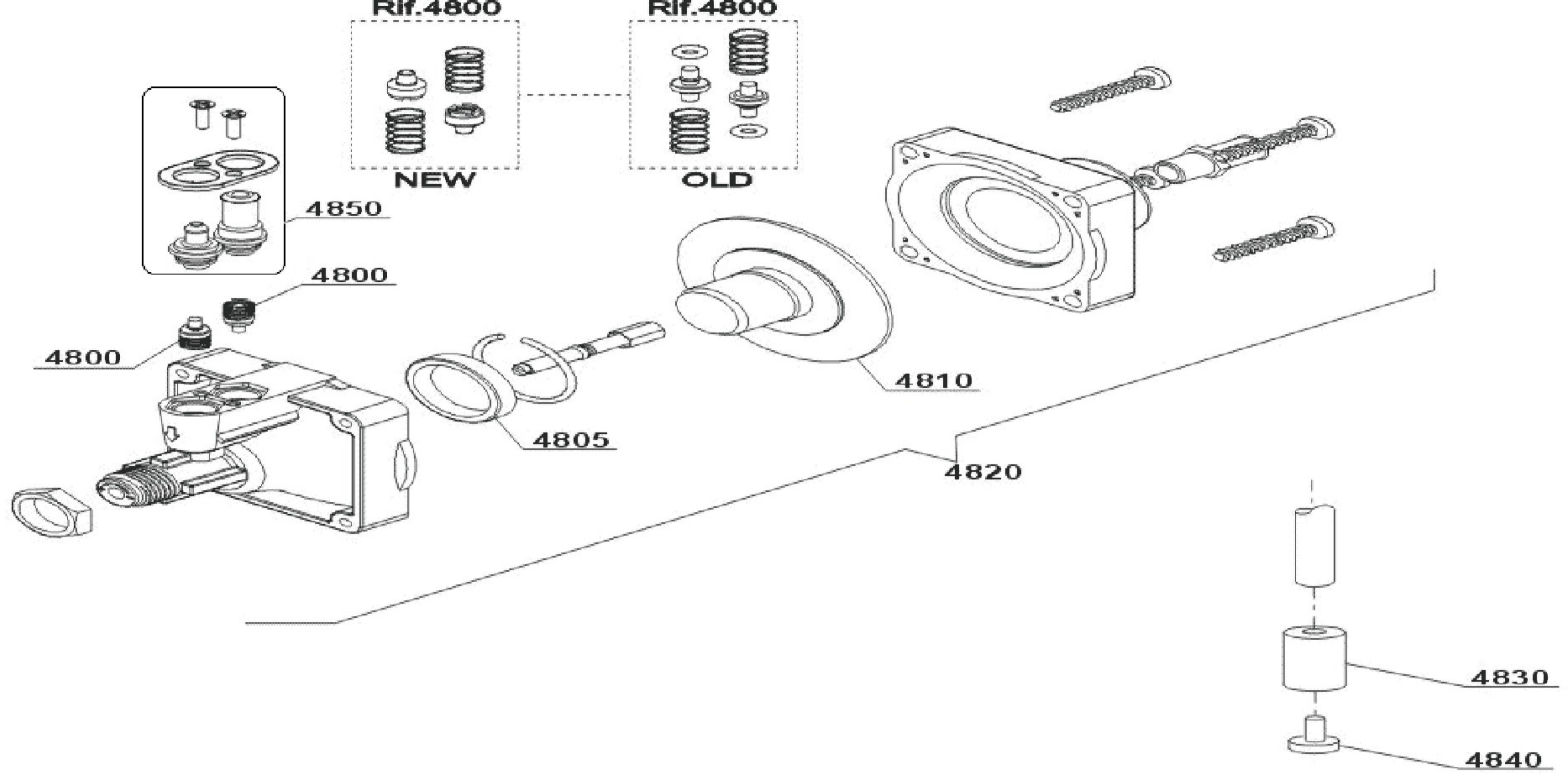


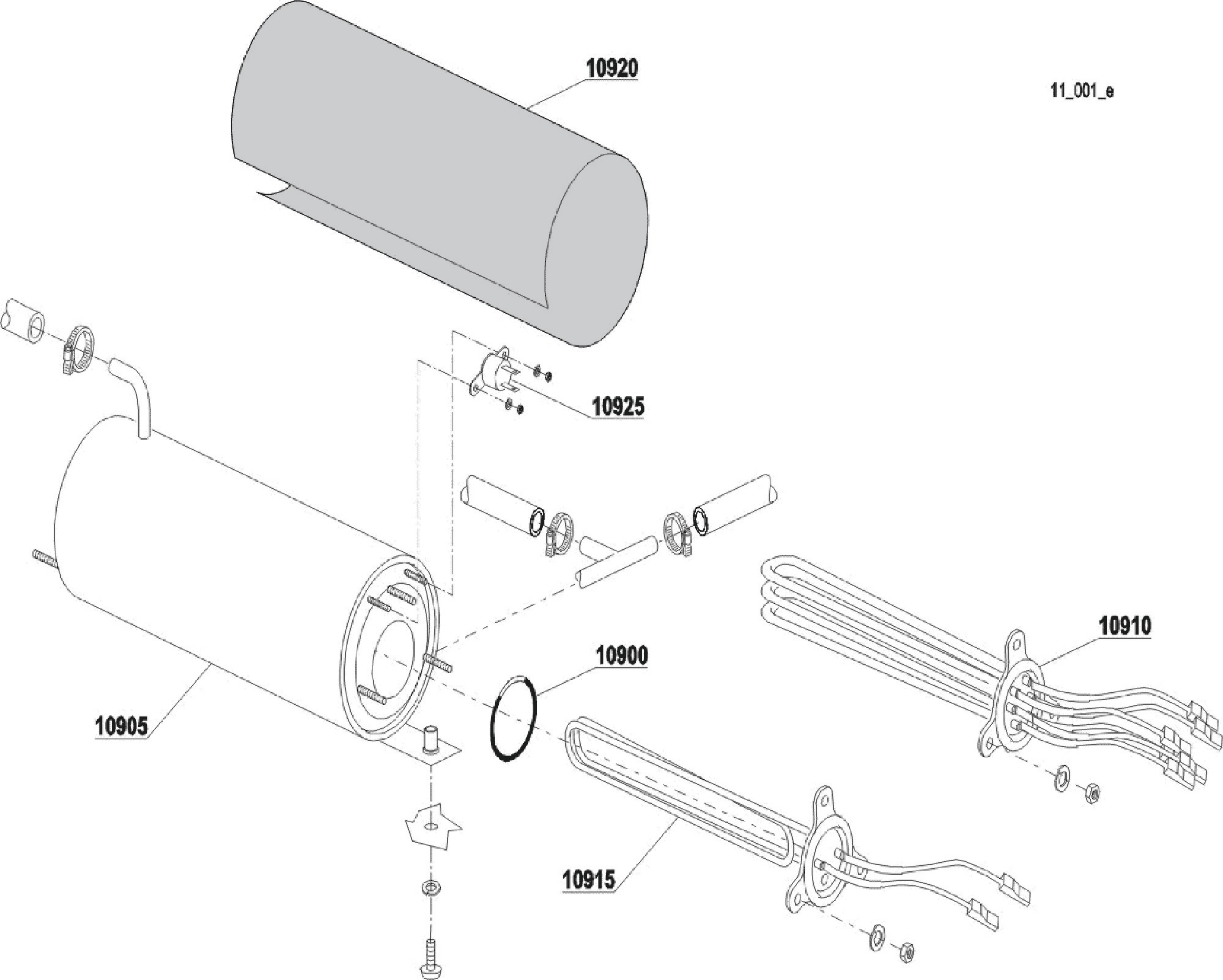
11600



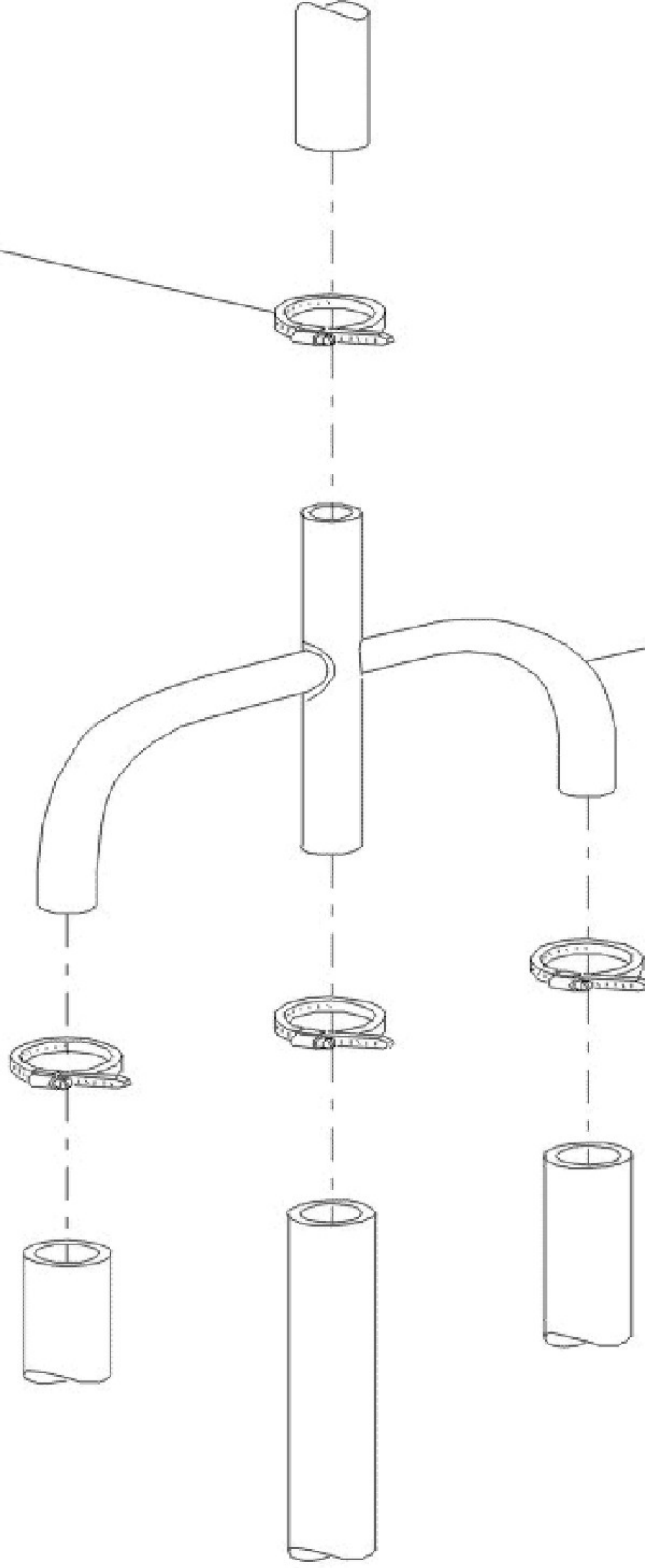






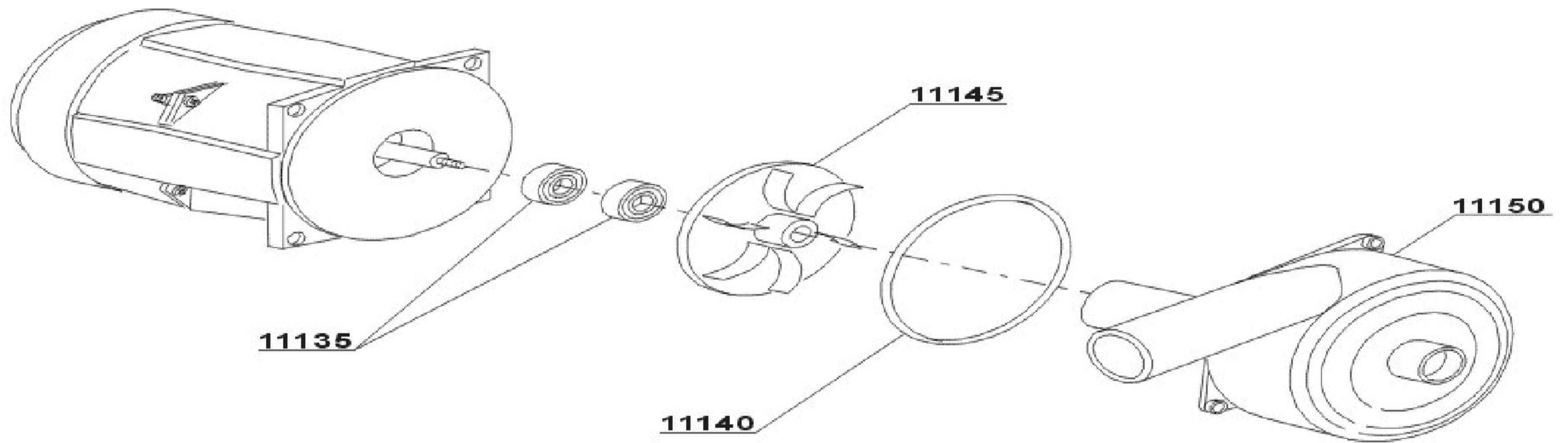
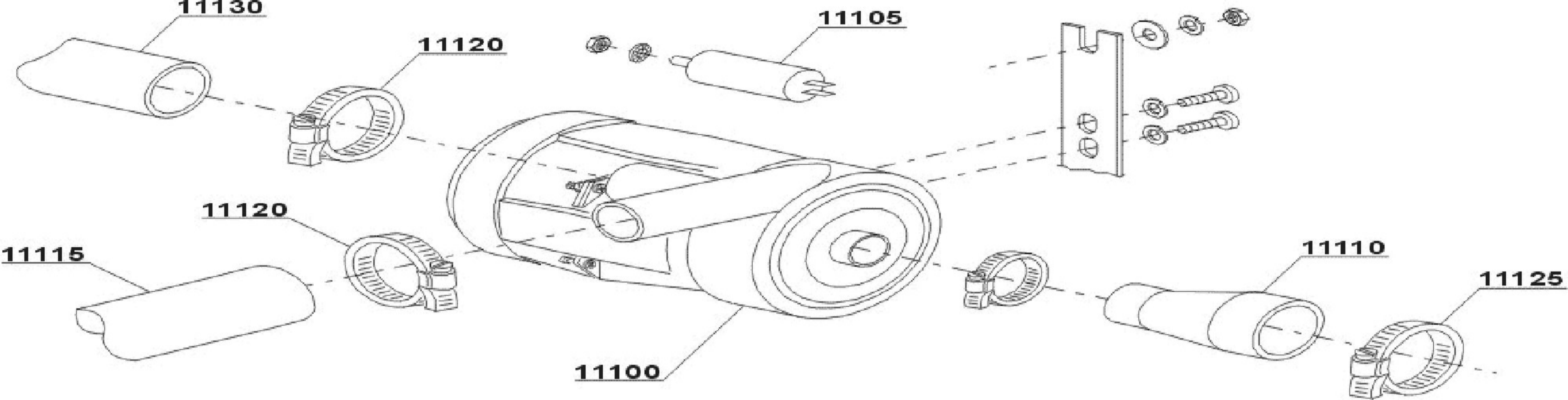


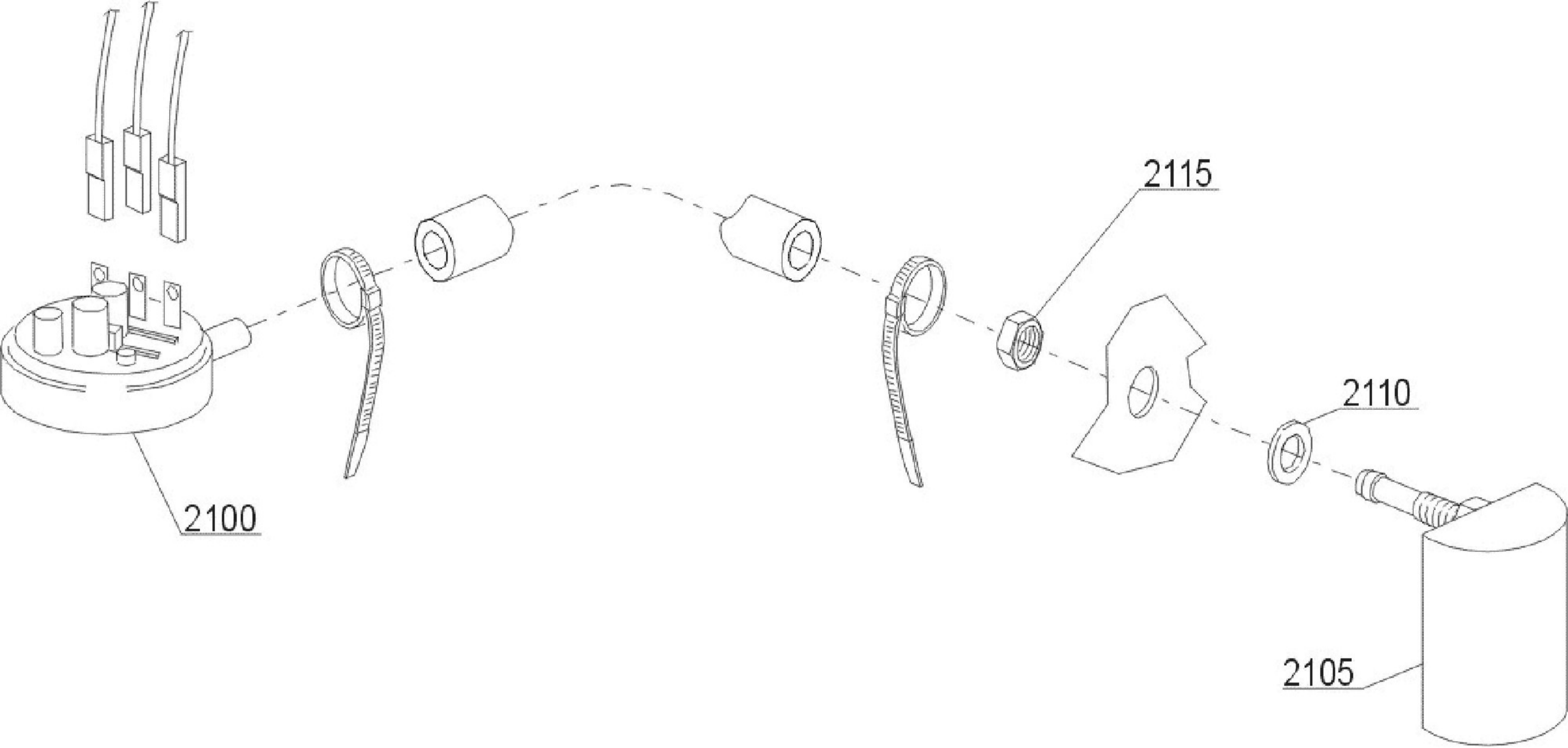
9605

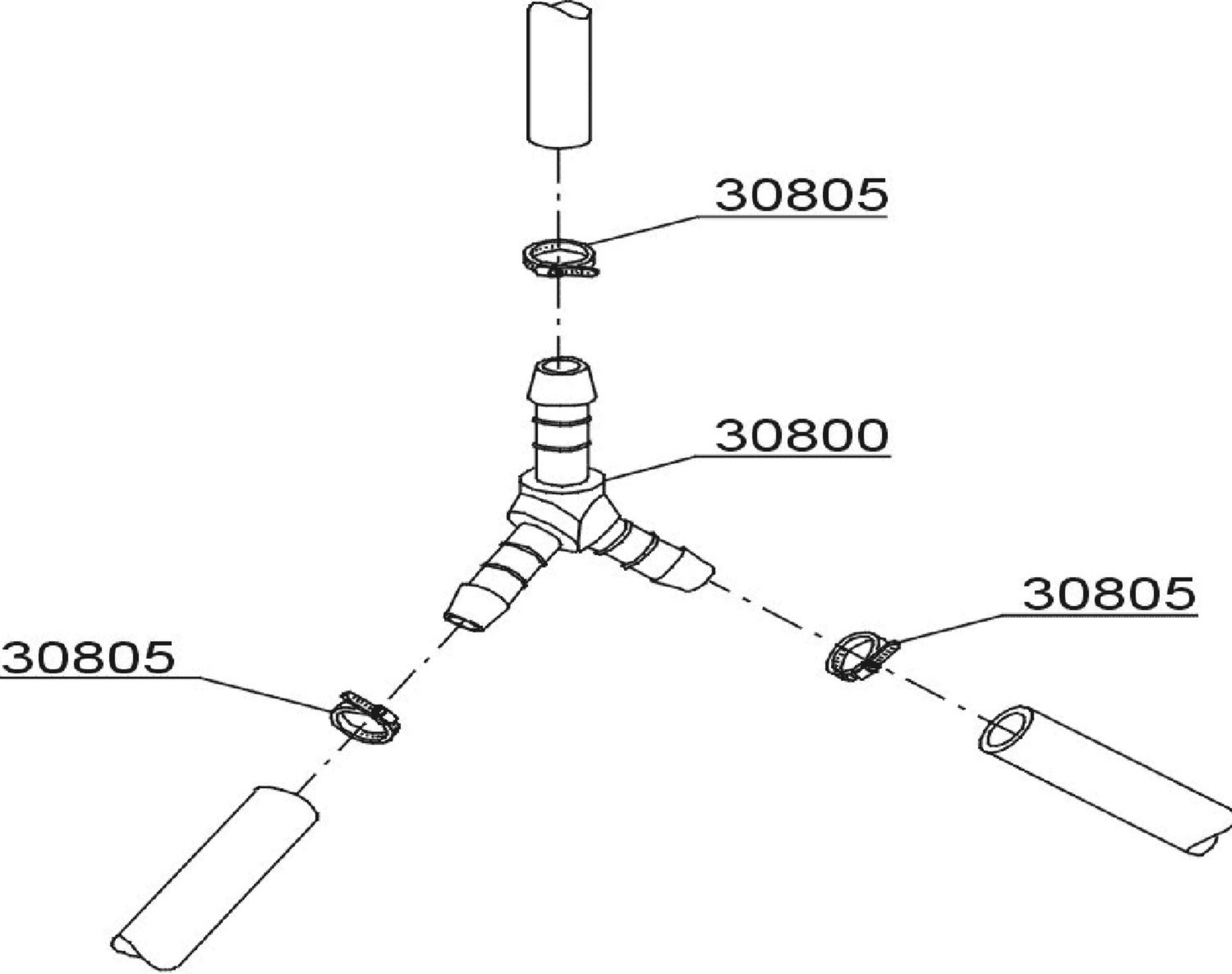


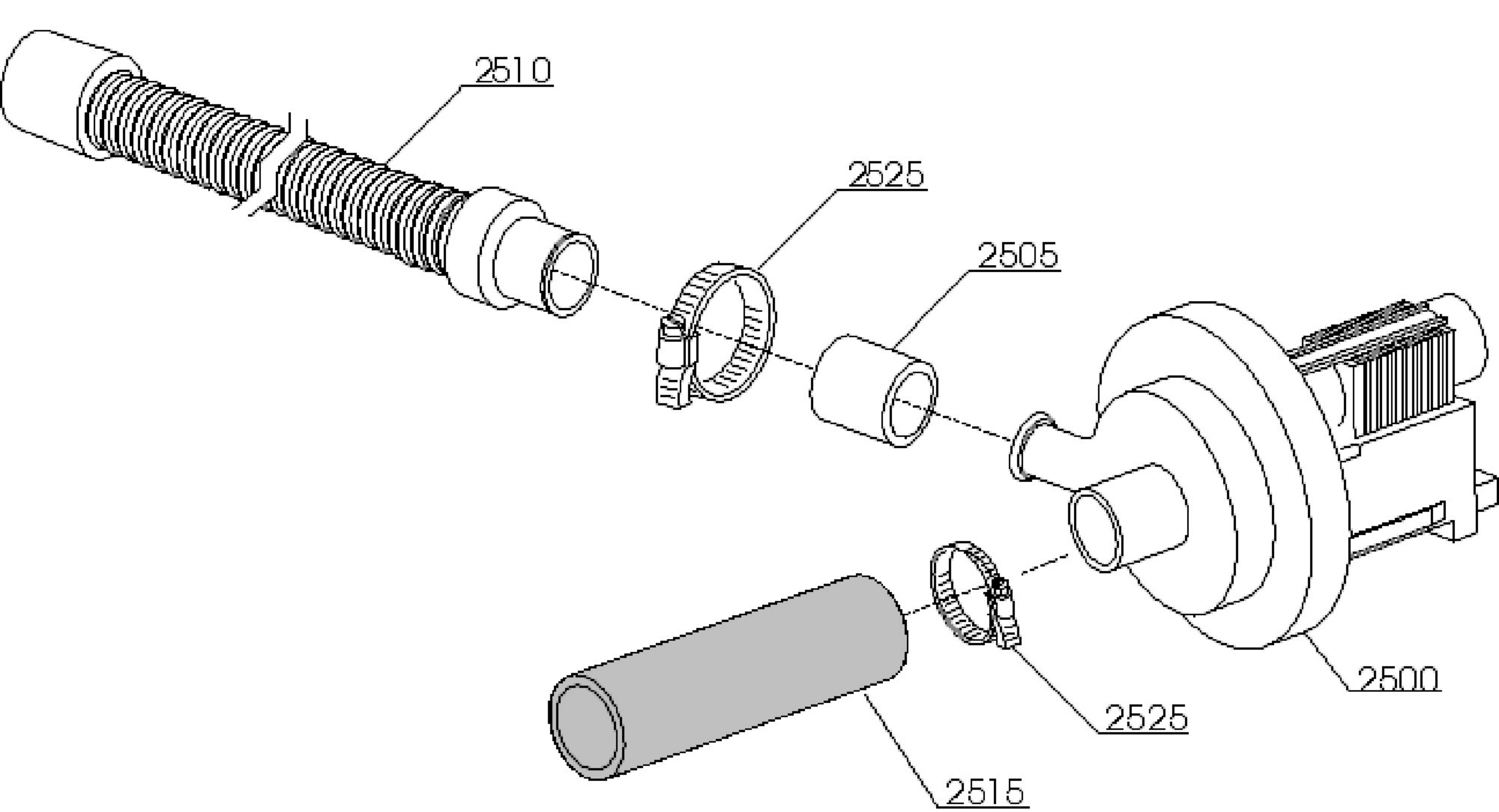
9600

9605









Page	Pos	Code	Description	Info
002	10500	KD40LSPS-Pos.10500	Cover	01/07/2003-
002	10505	KD40LSPS-Pos.10505	Back panel	01/07/2003-
002	10510	KD40LSPS-Pos.10510	Body	01/07/2003-
002	10515	32D1850	Cable-fastener with screw	01/07/2003-
002	10520	KD40LSPS-Pos.10520	Surface half-filter	01/07/2003-
002	10525	KD40LSPS-Pos.10525	Surface half-filter	01/07/2003-
002	10530	3025400	HEATING ELEMENT	01/07/2003-
002	10535	KD40LSPS-Pos.10535	Right side	01/07/2003-
002	10540	KD40LSPS-Pos.10540	Left side	01/07/2003-
002	10545	3095690	Foot	01/07/2003-
002	10550	3018880	Overflow pipe	01/07/2003-
002	10555	37Q5140	DEM 40 gasket	01/07/2003-
002	10560	KD40LSPS-Pos.10560	Surface filter handle	01/07/2003-
002	10565	3058030	Fixed tank thermostat	01/07/2003-
002	10570	KD40LSPS-Pos.10570	in devia Filter	01/07/2003-
002	10575	3021640	Ferrule with filter	01/07/2003-
002	10580	37Q5100	95x75x3 gasket	01/07/2003-
002	10585	33M1810	Right side scrap tray	01/07/2003-
002	10590	KD40LSPS-Pos.10590	O40mm fairlead	01/07/2003-
002	10595	32V7240	0-90°C thermostat	01/07/2003-
002	10600	KD40LSPS-Pos.10600	3 poles terminal board	01/07/2003-
002	10605	32D1860	6 poles terminal board	01/07/2003-
002	10610	KD40LSPS-Pos.10610	3x2,5x2500 cable	01/07/2003-
003	11600	KD40LSPS-Pos.11600	Electric components panel	01/07/2003-
003	11605	3024910	RELAY	01/07/2003-
003	11610	3026050	Timer 120" with thermostop	01/07/2003-
003	11625	32V7020	Low noise filter	01/07/2003-
004	810	33D3250	Double solenoid valve - O10	01/07/2003-
004	820	KD40LSPS-Pos.820	Pression reducing valve	01/07/2003-
004	825	KD40LSPS-Pos.825	Brown pression reducing valve support	01/07/2003-
005	1300	33D2100	SAFETY VALVE	01/09/2007-
006	4800	3023040	Tecnopro dosing valve	01/07/2003-
006	4805	3024680	O22 gasket	01/07/2003-
006	4810	3206600	Membrane	01/07/2003-
006	4820	33D3240	3 out shining product dosing d	01/07/2003-
006	4830	36H1500	Counter-weight	01/07/2003-
006	4840	30Q3210	Small filter	01/07/2003-
006	4850	3187520	Flexible-pipe holder	01/07/2003-
007	10900	3035850	OR gasket	01/07/2003-
007	10905	KD40LSPS-Pos.10905	Boiler	01/07/2003-
007	10915	3030200	2,8/3,05KW 230/240V- 1F heatin	01/07/2003-
007	10920	KD40LSPS-Pos.10920	Insulating boiler	01/07/2003-
007	10925	32V7250	Safety thermostat	01/07/2003-
008	9600	3030210	Ø10 mm 4 ways derivation	01/07/2003-
008	9605	3140230	12/20 PIPE CLAMP	01/07/2003-
009	11100	3034630	WASHING PUMP 0.45HP	01/07/2003-
009	11105	KD40LSPS-Pos.11105	10 uF capacitor	01/07/2003-
009	11110	KD40LSPS-Pos.11110	Suction pipe coupling	01/07/2003-
009	11115	3030320	Lower wash delivery pipe	01/07/2003-
009	11120	3223050	25/40 clamp	01/07/2003-
009	11125	KD40LSPS-Pos.11125	50/70 clamp	01/07/2003-

Page	Pos	Code	Description	Info
009	11130	KD40LSPS-Pos.11130	Top delivery pipe	01/07/2003-
009	11135	3036790	ROTATING SEALS	01/07/2003-
009	11140	3036810	OR gasket	01/07/2003-
009	11145	3036800	PUMP ROTOR	01/07/2003-
009	11150	3036820	SCROLL	01/07/2003-
010	2100	32V7060	47-27 pressure switch	01/07/2003-
010	2105	33D3310	Air trap assembly	01/07/2003-
010	2110	37Q5130	Gasket	01/07/2003-
010	2115	33Q6470	M8 stainless steel nut	01/07/2003-
011	30800	33Q6520	O12 mm plastic 3 ways derivati	01/07/2003-
011	30805	3140230	12/20 PIPE CLAMP	01/07/2003-
012	2500	3104270	DRAIN PUMP	01/07/2003-
012	2505	KD40LSPS-Pos.2505	Pipe fitting	01/07/2003-
012	2510	33M1660	Drain pipe	01/07/2003-
012	2525	3223050	25/40 clamp	01/07/2003-