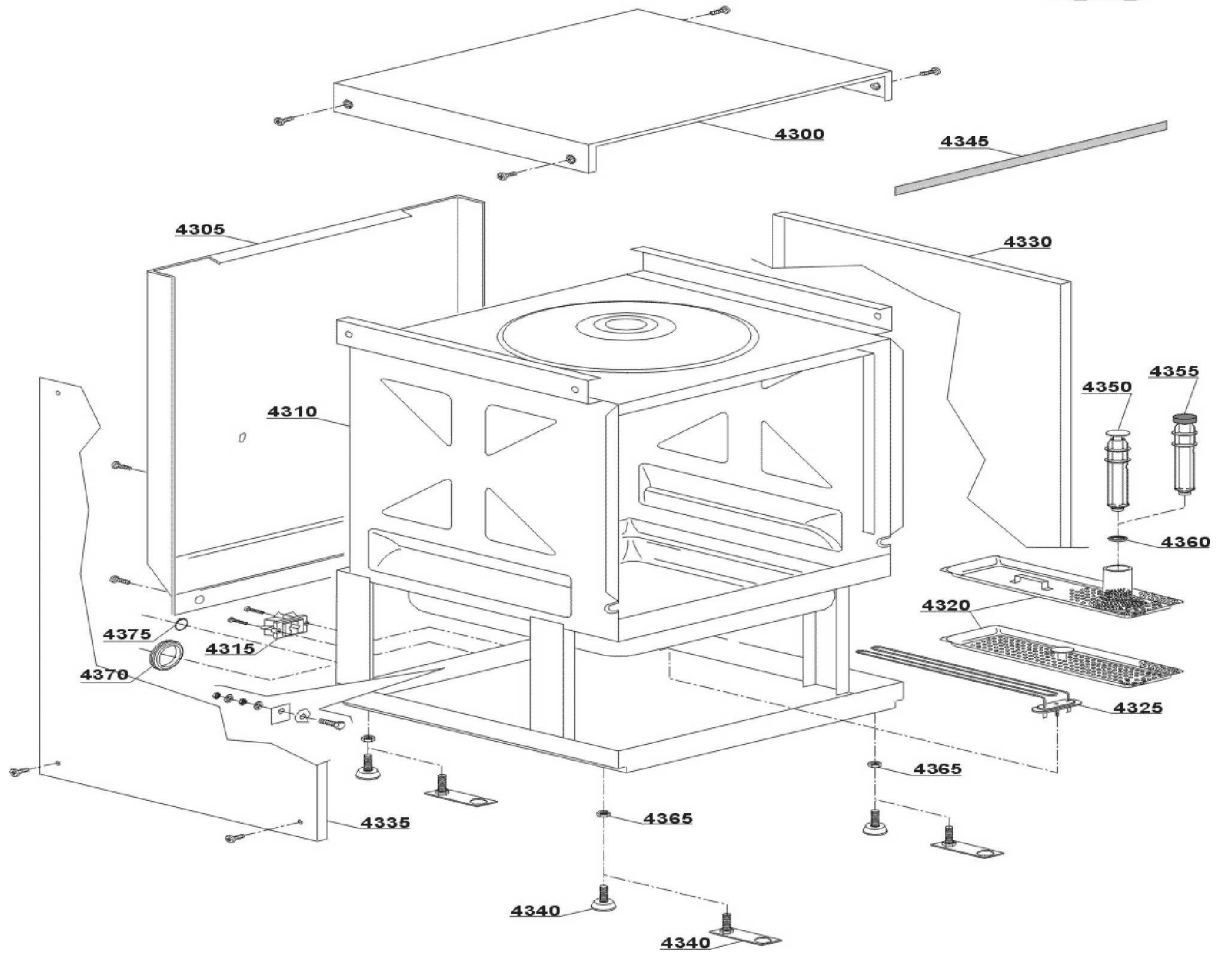


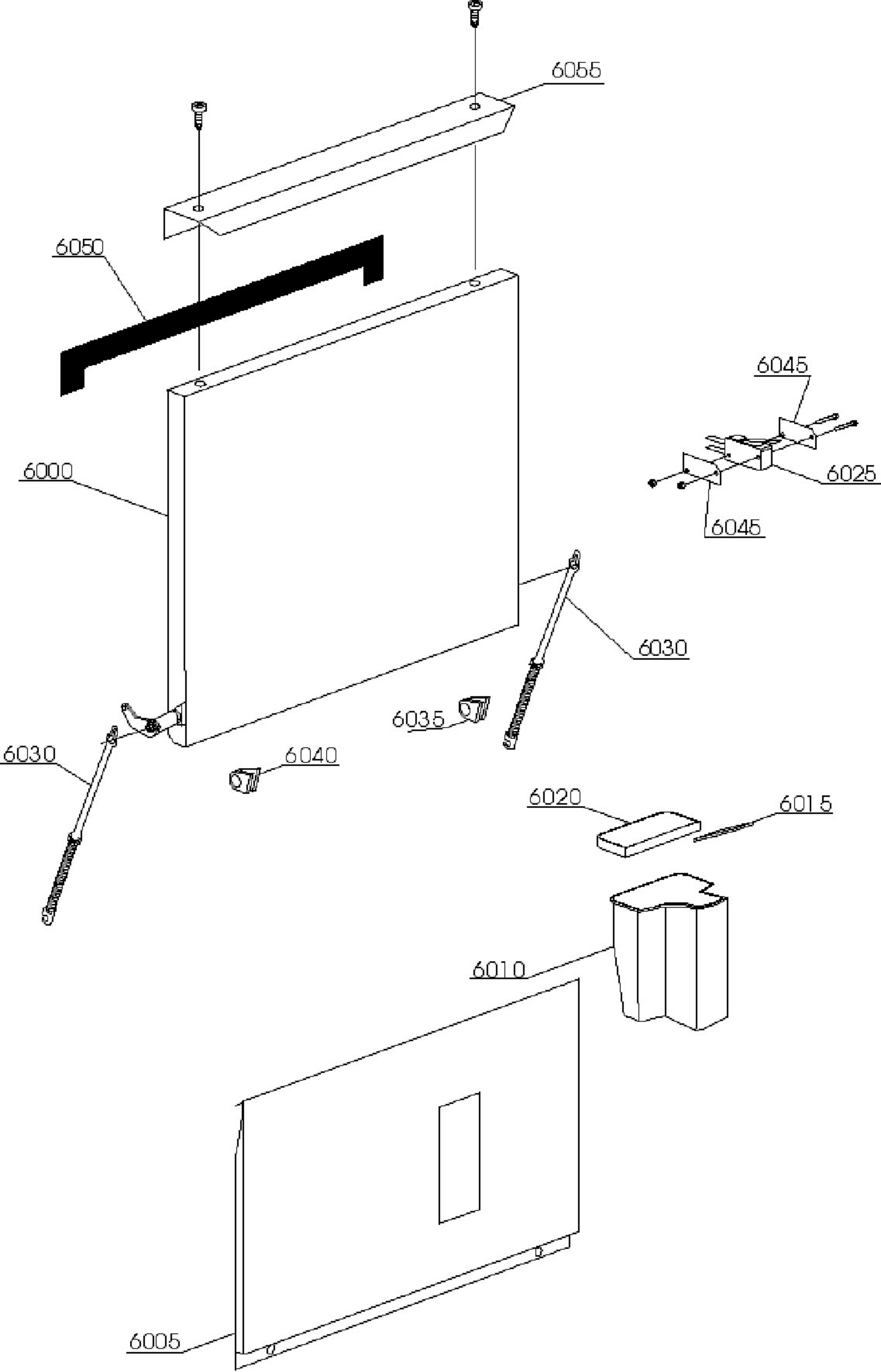


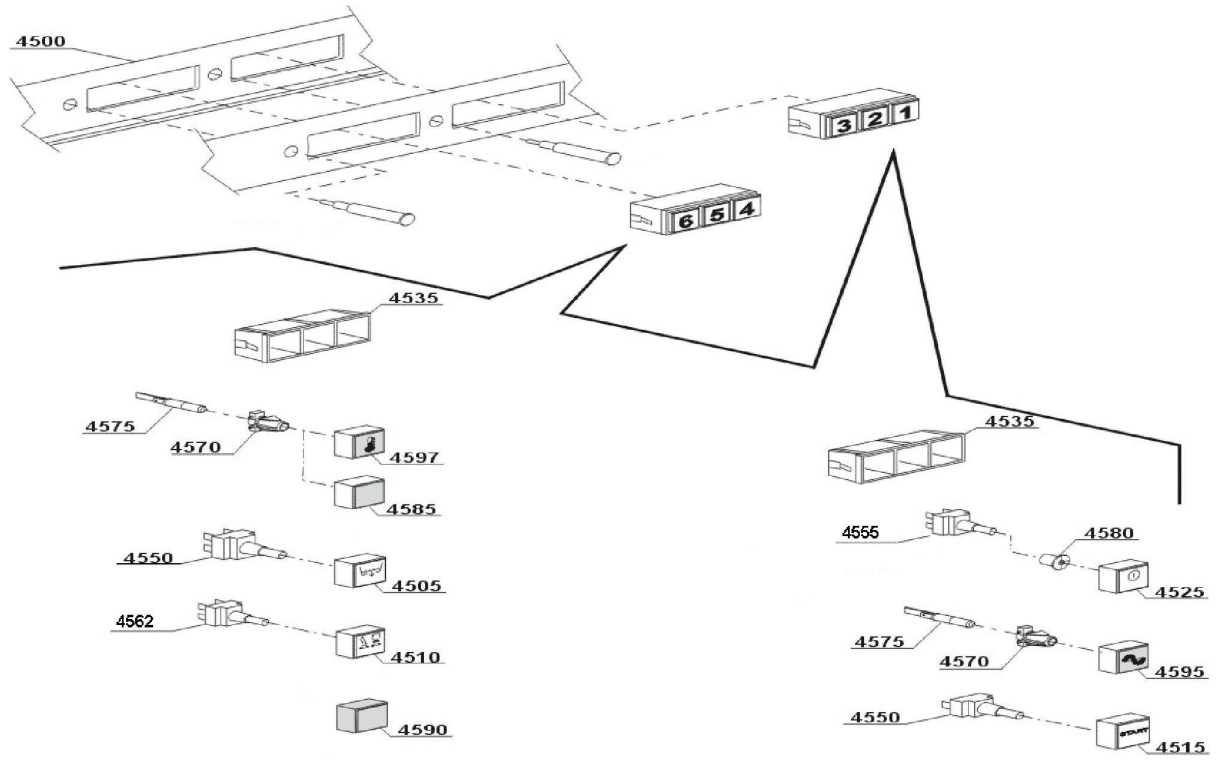
**KD60**

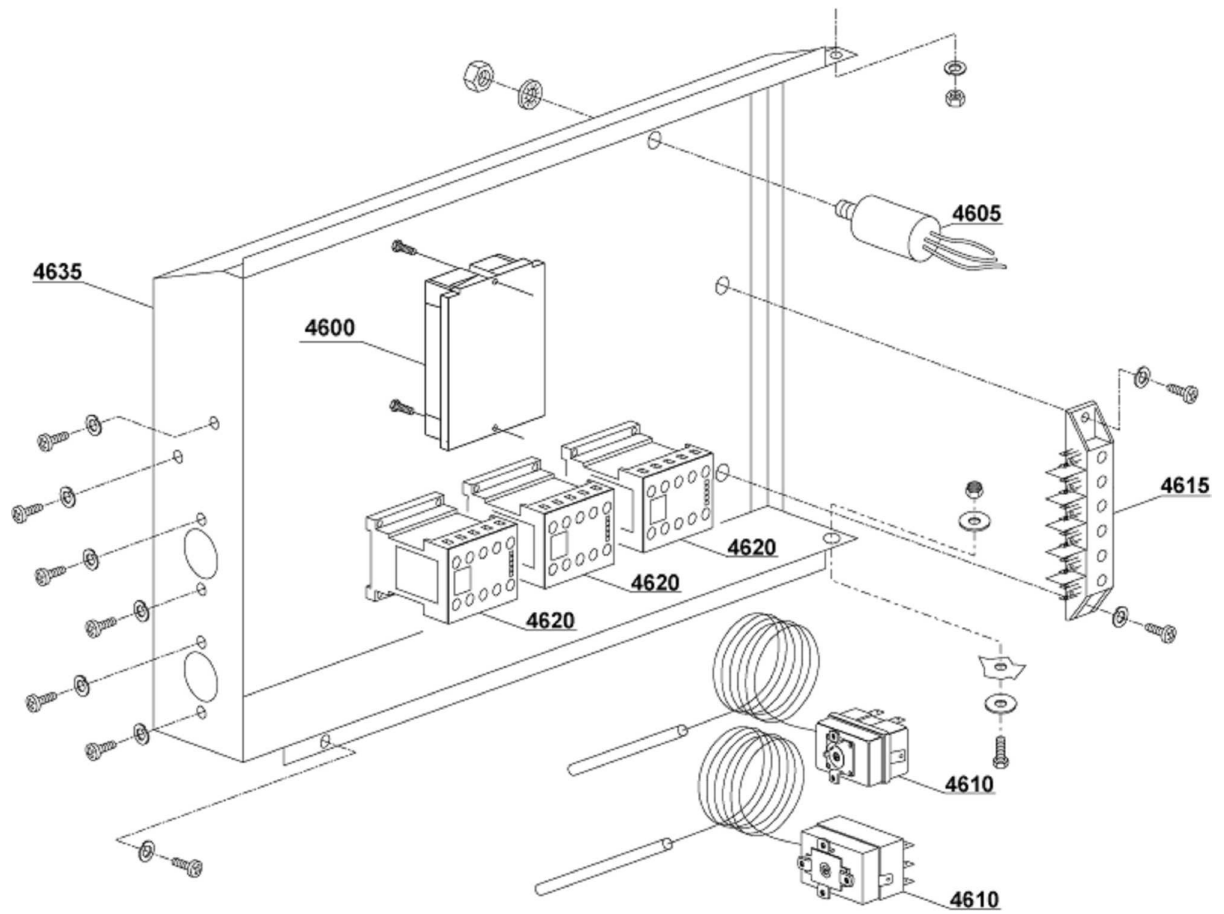
**Edition 20140315-**

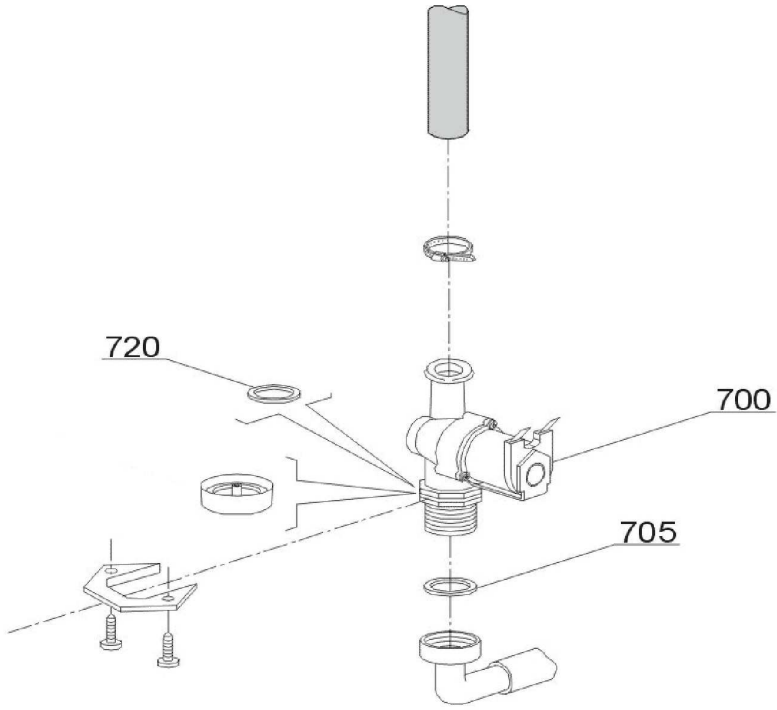
01\_002\_e

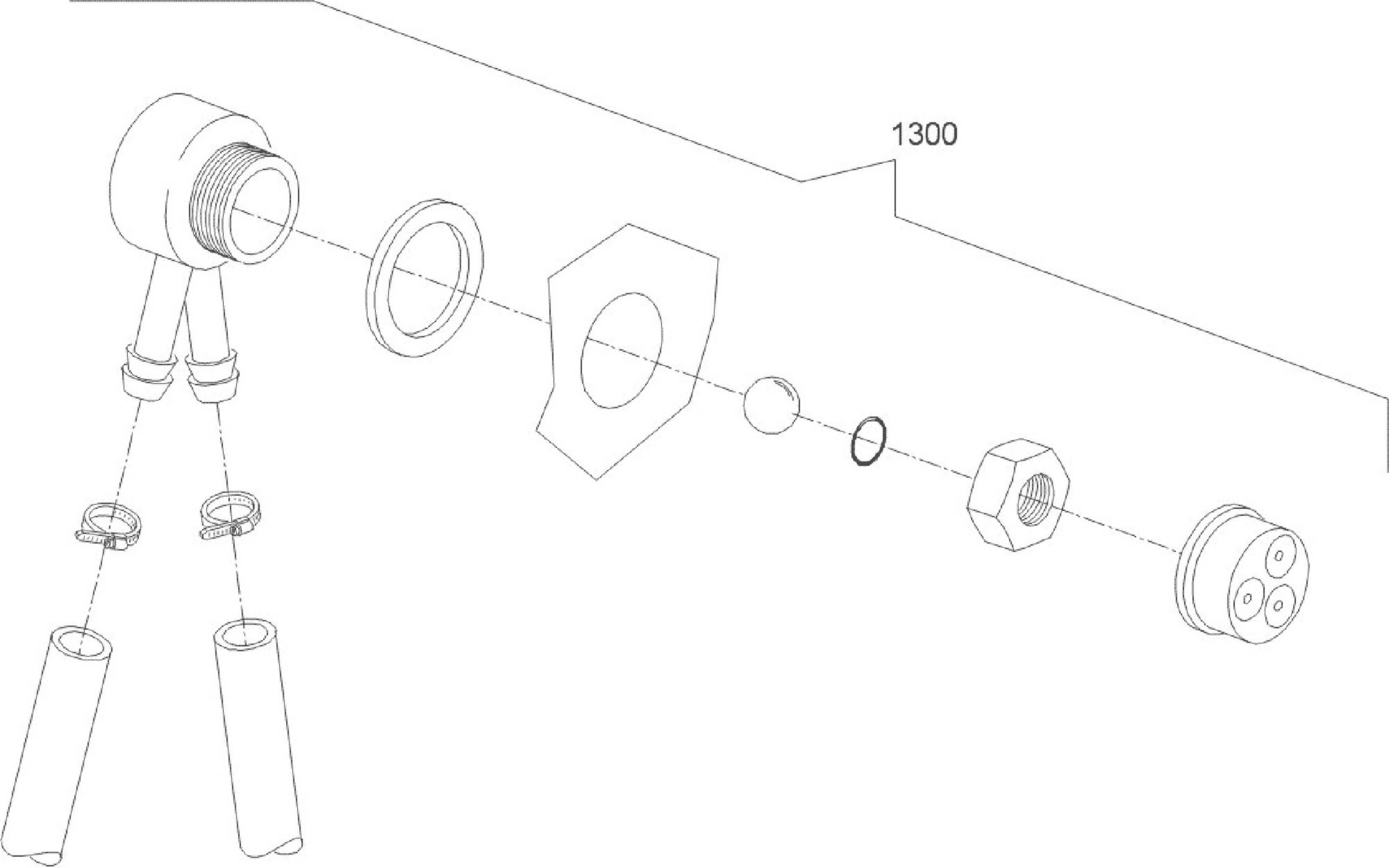


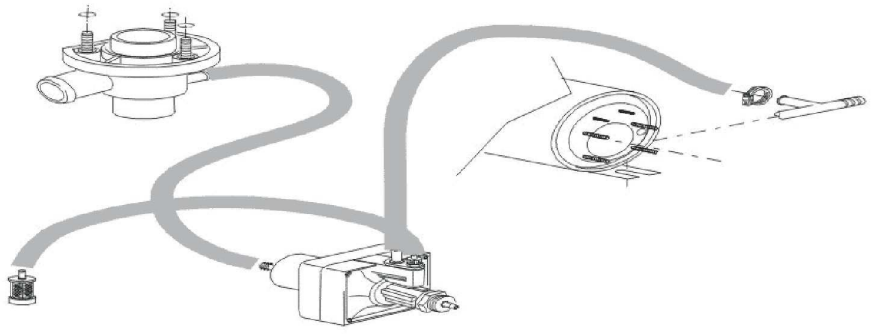
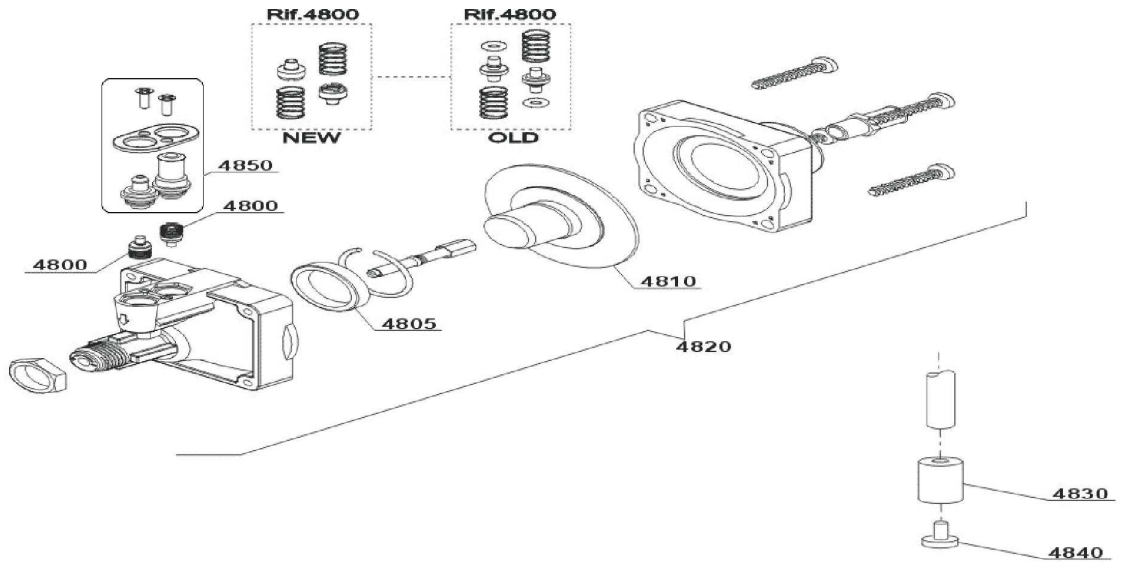




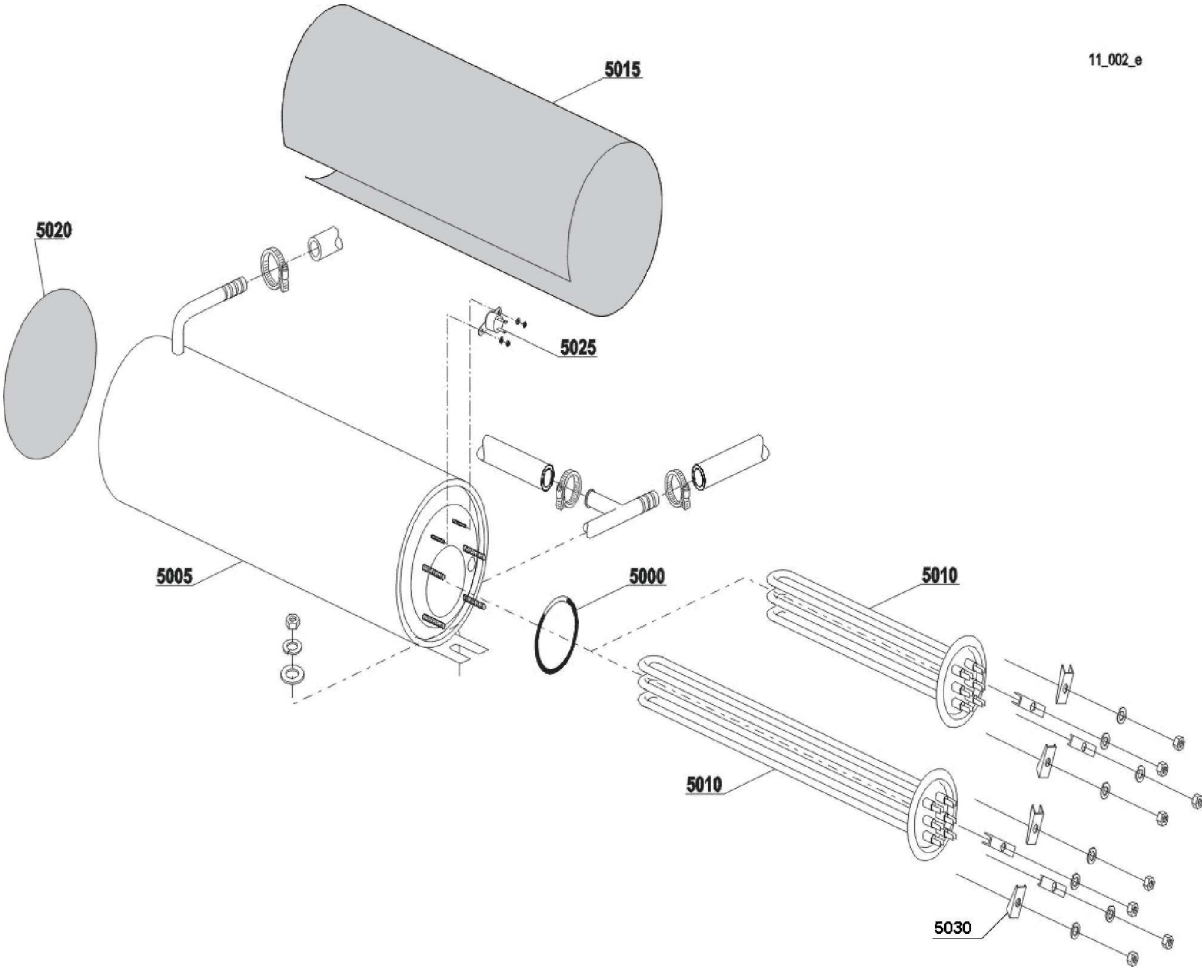


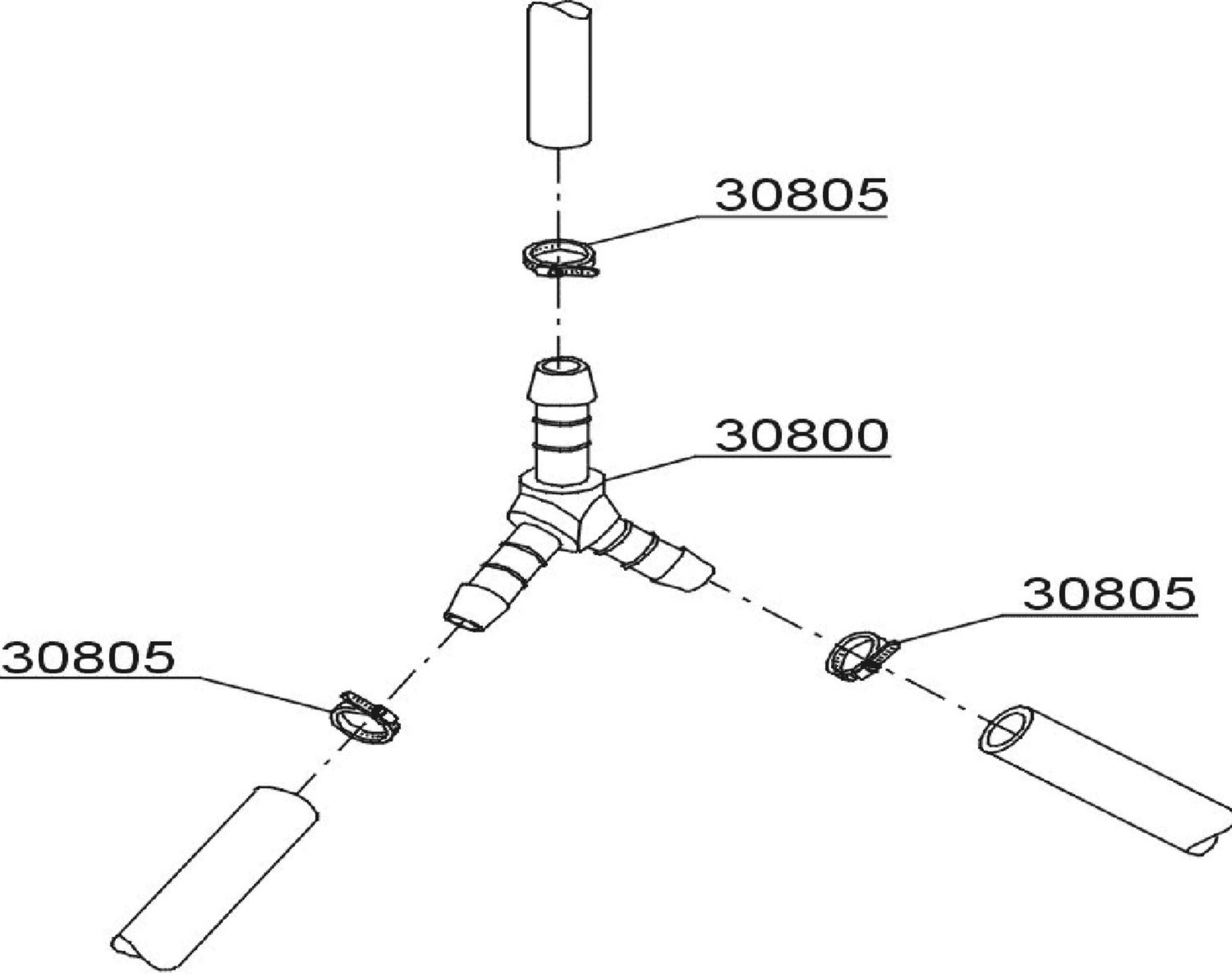


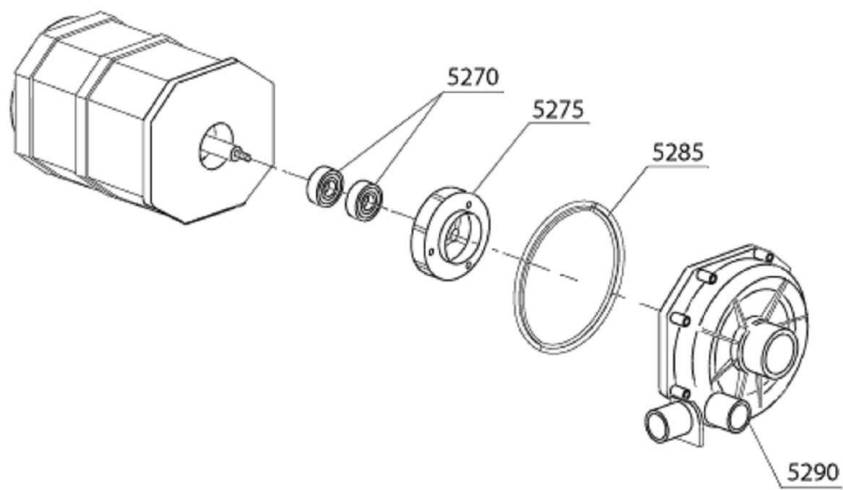
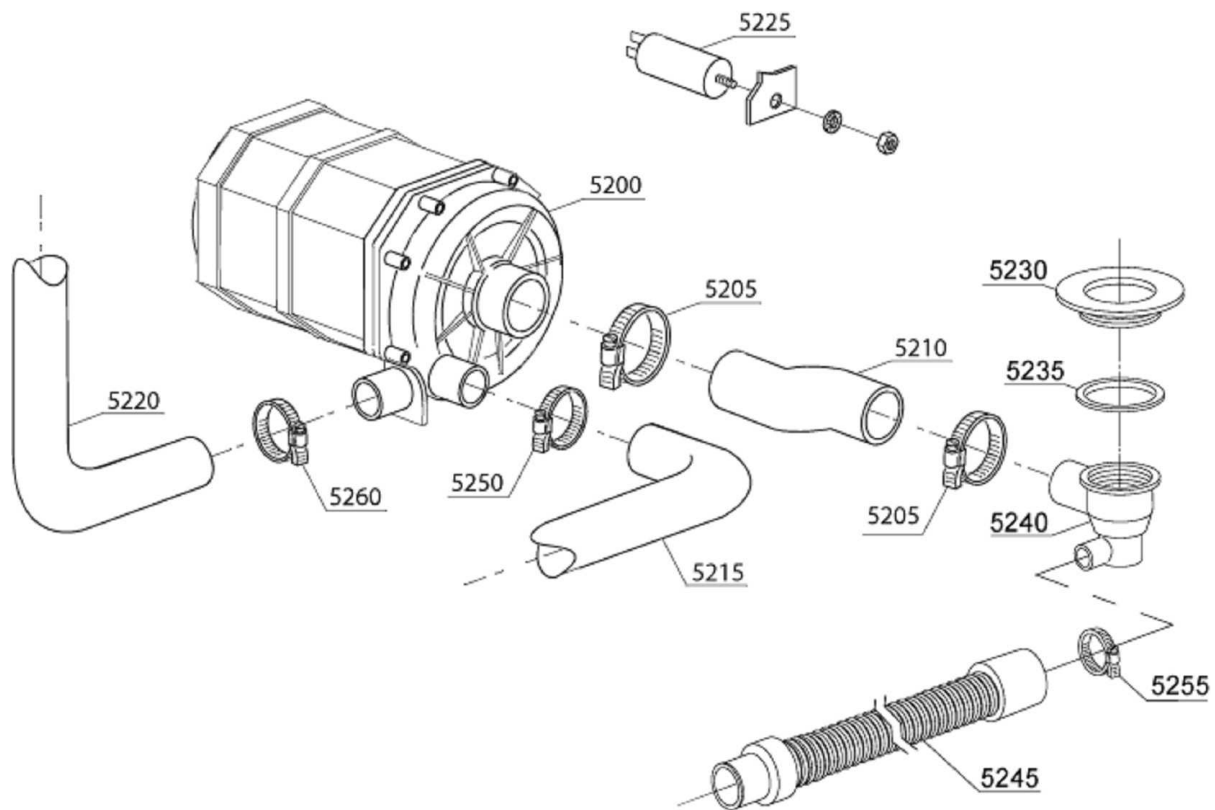


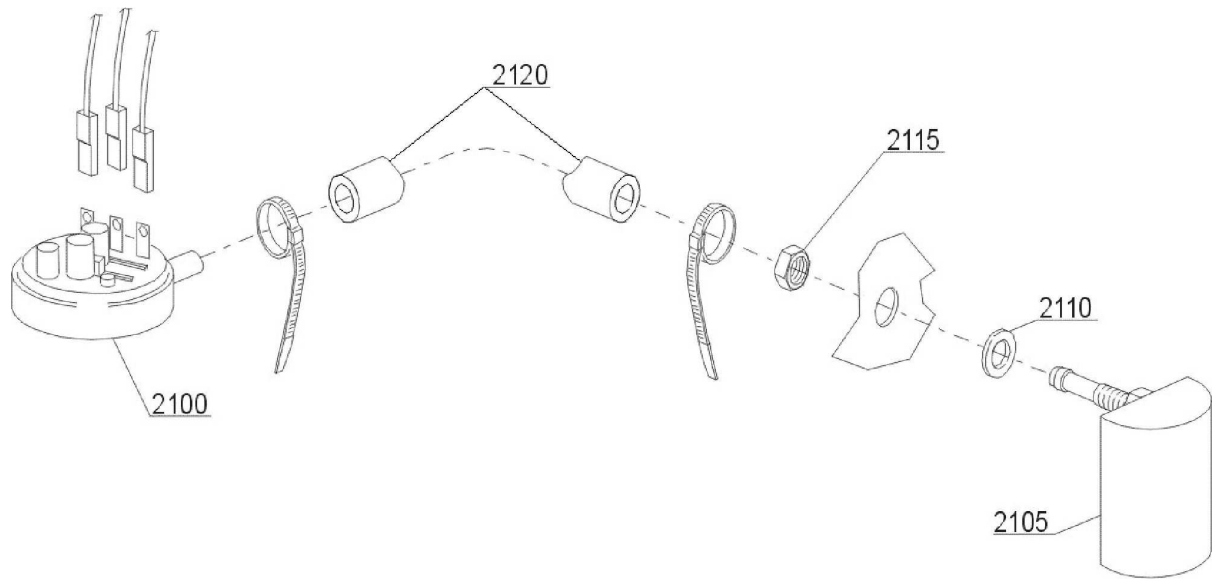


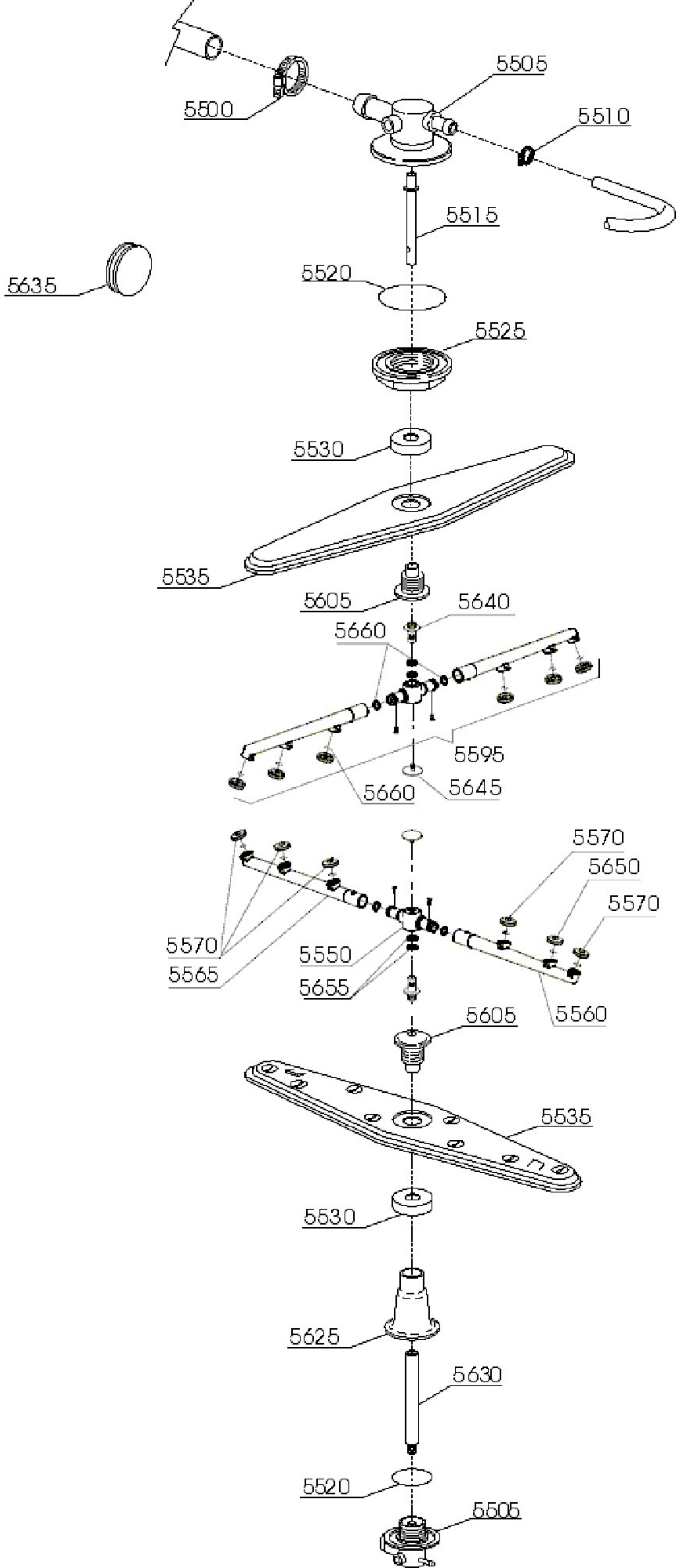


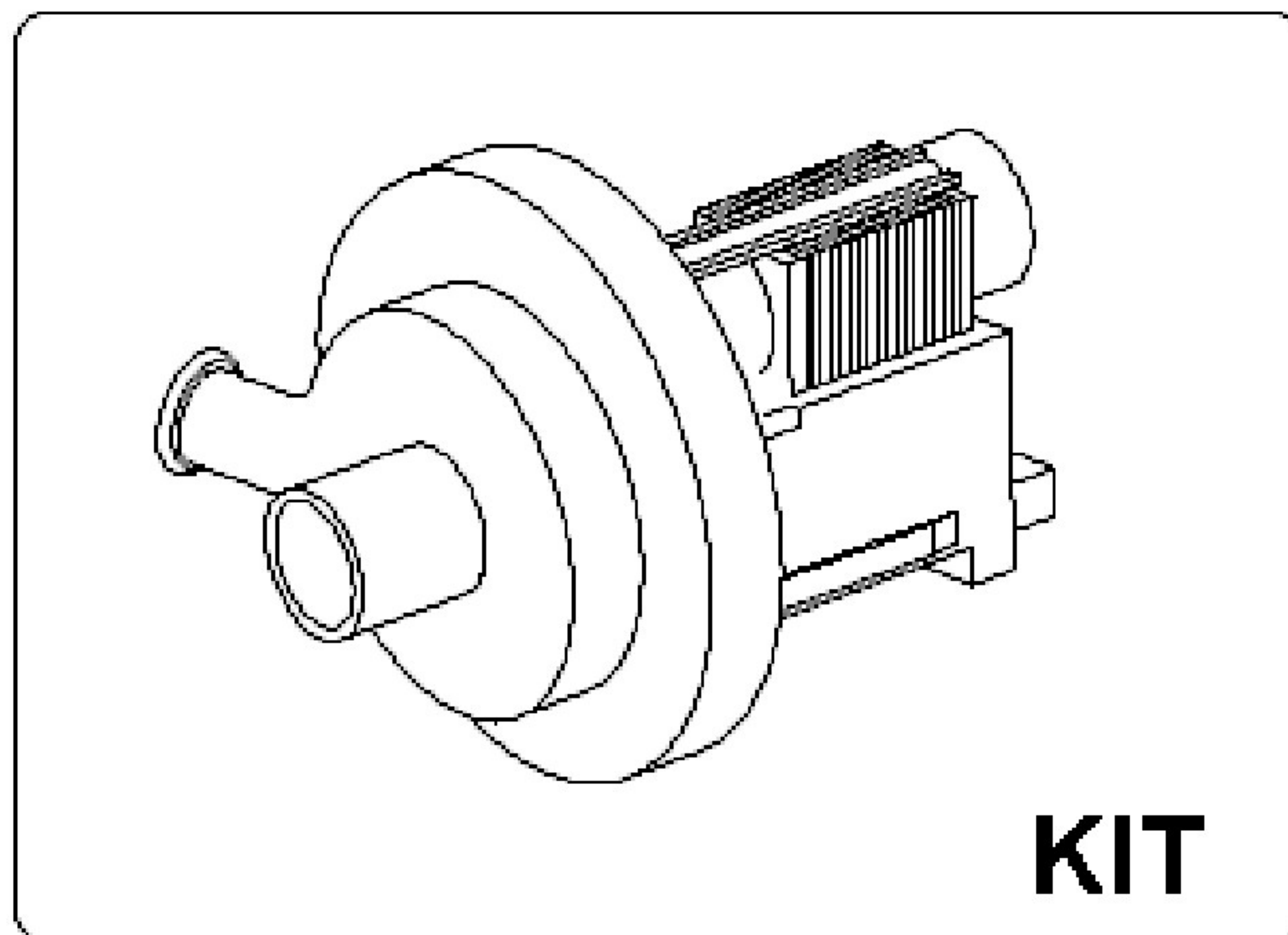












1

Page	Pos	Code	Description	Info
002	4300	3009400	Cover	01/07/2003-
002	4305	KD60-Pos.4305	Back panel	01/07/2003-
002	4310	KD60-Pos.4310	Body	01/07/2003-
002	4315	32D1850	Cable-fastener with screw	01/07/2003-
002	4320	30Q3290	Surface filter	01/07/2003-
002	4325	32G3360	HEATING 2,7 Kw	01/07/2003-
002	4330	3009410	Right side	01/07/2003-
002	4335	3009420	Left side	01/07/2003-
002	4340	36E4190	M10x25 O40 black foot	01/07/2003-
002	4345	3086940	Profile for door gasket	01/07/2003-
002	4350	33D3360	Overflow pipe	01/07/2003-
002	4360	37Q5140	DEM 40 gasket	01/07/2003-
002	4365	KD60-Pos.4365	M10 zinc plated nut	01/07/2003-
002	4370	KD60-Pos.4370	O40mm fairlead	01/07/2003-
002	4375	KD60-Pos.4375	O13mm fairlead	01/07/2003-
003	6000	3037390	Steel door without handle	01/01/2004-
003	6005	3095630	Lower door	01/07/2003-
003	6010	36Z1870	Square tank	01/07/2003-
003	6015	36Z1860	Tank cover	01/07/2003-
003	6020	36Z1850	Back tank cover	01/07/2003-
003	6025	32W4240	Door microswitch	01/07/2003-
003	6030	36H1430	Door spring	01/07/2003-
003	6035	36E4160	Right lock for door hinge	01/07/2003-
003	6040	36E4170	Left lock for door hinge	01/07/2003-
003	6045	37Q5180	Insulating for door microswitc	01/07/2003-
003	6050	3086940	Profile for door gasket	01/07/2003-
003	6055	3037400	Stainless steel handle	01/07/2003-
004	4500	3023910	Control panel	01/07/2003-
004	4510	KD60-Pos.4510	Yellow push time selector switch key	01/07/2003-
004	4510	KD60-Pos.4510	Blu time push selector switch key	01/07/2003-
004	4510	KD60-Pos.4510	Green plate/glass push time selector switch	01/07/2003-
004	4510	KD60-Pos.4510	Blu plate/glass push time selector switch	01/07/2003-
004	4510	KD60-Pos.4510	Yellow plate/glass push time selector switch	01/07/2003-
004	4510	3100590	Green time push selector switch	01/07/2003-
004	4515	KD60-Pos.4515	Blu start key	01/07/2003-
004	4515	3063320	Green start key	01/07/2003-
004	4515	3273760	Yellow start key	01/07/2003-
004	4525	KD60-Pos.4525	Blu ON-OFF key	01/07/2003-
004	4525	KD60-Pos.4525	Yellow ON-OFF key	01/07/2003-
004	4525	32W4260	Green ON-OFF key	01/07/2003-
004	4535	36U0870	Square grey triple support	01/07/2003-
004	4550	3040850	16A unipolar push button	01/07/2003-
004	4555	32W4150	16A SWITCH ONLY	01/07/2003-
004	4562	3083620	16A bipolar switch push button	01/07/2003-
004	4570	36U0850	Pilot light support	01/07/2003-
004	4575	32W4220	Pilot light	01/07/2003-
004	4580	33Q6440	Green-orange cam	01/07/2003-
004	4585	32W4160	Green gem	01/07/2003-
004	4590	36Q2060	Grey key	01/07/2003-
004	4595	3025580	Green square cycle gem	01/07/2003-

Page	Pos	Code	Description	Info
004	4597	3065830	Green square temperature gem	01/07/2003-
005	4600	3022640	ELECTRONICTIMER	01/03/2008-
005	4605	32V7020	Low noise filter	01/07/2003-
005	4610	32V7240	0-90°C thermostat	01/07/2003-
005	4615	32D1860	6 poles terminal board	01/07/2003-
005	4620	32V7170	Remote control switch 230V 50/	01/07/2003-
005	4620	32V7170	Remote control switch 230V 50/	15/03/2014-
005	4635	KD60-Pos.4635	Electric components panel	01/07/2003-
006	700	33D3260	Modification Single solenoid valve	01/07/2003-
006	705	KD60-Pos.705	3/4 gasket	01/07/2003-
006	720	KD60-Pos.720	Pression reducing valve	01/07/2003-
007	1300	33D2100	SAFETY VALVE	01/09/2007-
008	4800	3023040	Tecnopro dosing valve	01/07/2003-
008	4805	3024680	O22 gasket	01/07/2003-
008	4810	3206600	Membrane	01/07/2003-
008	4820	33D3240	3 out shining product dosing d	01/07/2003-
008	4830	36H1500	Counter-weight	01/07/2003-
008	4840	30Q3210	Small filter	01/07/2003-
008	4850	3187520	Flexible-pipe holder	01/07/2003-
009	5000	37Q5190	OR 151 NBR gasket	01/07/2003-
009	5005	34A2570	Boiler	01/07/2003-
009	5010	32G3380	HEATING EL.	01/07/2003-
009	5010	32G3390	HEATING EL.	01/07/2003-
009	5015	3177980	Insulating boiler	01/07/2003-
009	5020	3177990	Ø160 bottom	01/07/2003-
009	5025	32V7250	Safety thermostat	01/07/2003-
009	5030	3113780	HEATING ELEMENT SUPPORT	01/07/2003-
010	30800	33Q6520	O12 mm plastic 3 ways derivati	01/07/2003-
010	30805	3140230	12/20 PIPE CLAMP	01/07/2003-
011	5200	32M6980	WASHING PUMP	01/07/2003-
011	5200	3022650	WASHING PUMP	01/10/2007-
011	5205	KD60-Pos.5205	30/45 clamp	01/10/2007-
011	5210	3245810	Suction pipe coupling	01/10/2007-
011	5215	3245820	Lower wash pipe coupling	01/10/2007-
011	5220	3245830	Wash ramp	01/10/2007-
011	5225	32V7000	12,5 uF condenser	01/07/2003-
011	5230	33Q6540	Ring nut	01/07/2003-
011	5235	37Q5100	95x75x3 gasket	01/07/2003-
011	5240	33M1810	Right side scrap tray	01/07/2003-
011	5245	33M1660	Drain pipe	01/07/2003-
011	5250	3223050	25/40 clamp	01/07/2003-
011	5255	3140230	12/20 PIPE CLAMP	01/07/2003-
011	5260	KD60-Pos.5260	40/60 clamp	01/07/2003-
011	5270	3036790	ROTATING SEALS	01/10/2007-
011	5275	3025590	Pump rotor	01/10/2007-
011	5285	3025600	O RING	01/10/2007-
011	5290	3240520	Scroll	01/10/2007-
012	2100	32V7060	47-27 pressure switch	01/07/2003-
012	2105	33D3330	Grey air trap assembly	01/07/2003-
012	2110	37Q5130	Gasket	01/07/2003-
012	2115	33Q6470	M8 stainless steel nut	01/07/2003-



Page	Pos	Code	Description	Info
012	2120	3036160	4,5X9 EPDM rubber pipe	01/07/2003-
013	5500	3223050	25/40 clamp	01/03/2006-
013	5505	33Q6680	Top/lower turret	01/07/2003-
013	5510	3140230	12/20 PIPE CLAMP	01/07/2003-
013	5515	3087020	Upper rinse axle extension	01/03/2006-
013	5520	37Q5260	6225 OR 160 NBR gasket	01/07/2003-
013	5525	3036900	RING NUT FOR FIXING TURRET	01/07/2003-
013	5530	3087030	Nut for wash arm bearing 05 (i	01/03/2006-
013	5535	3084360	Stainless steel wash rotor	01/03/2006-
013	5550	3175070	Rinse rotor	31/07/2009-
013	5560	3176000	Right rinse pipe	31/07/2009-
013	5565	3176010	Left rinse pipe	31/07/2009-
013	5570	3035840	OPENED HEAD RINSE NOZZLE	31/07/2009-
013	5575	37Q5200	2018 OR 103 NBR gasket	01/07/2003-
013	5595	3028930	Top/lower rinse group	31/07/2009-
013	5605	3087040	Hub for rotor (inox	01/03/2006-
013	5625	3052960	rinse arm) Lower pipe coupling	01/07/2003-
013	5630	3028720	Rinse lower distributor connection axle	01/03/2006-
013	5635	3113650	DVGW hole gasket	01/07/2003-
013	5640	3036720	Rinse axle	01/03/2006-
013	5645	3036730	Rinse screw	01/03/2006-
013	5650	3040290	CLOSED HEAD RINSE NOZZLE	31/07/2009-
013	5655	3176020	GASKET	31/07/2009-
013	5660	3035830	OR R6 NBR gasket	31/07/2009-
014	001	3023890	DRAIN PUMP ASSEMBLY (ACCESSORY TO BE	01/01/2008-