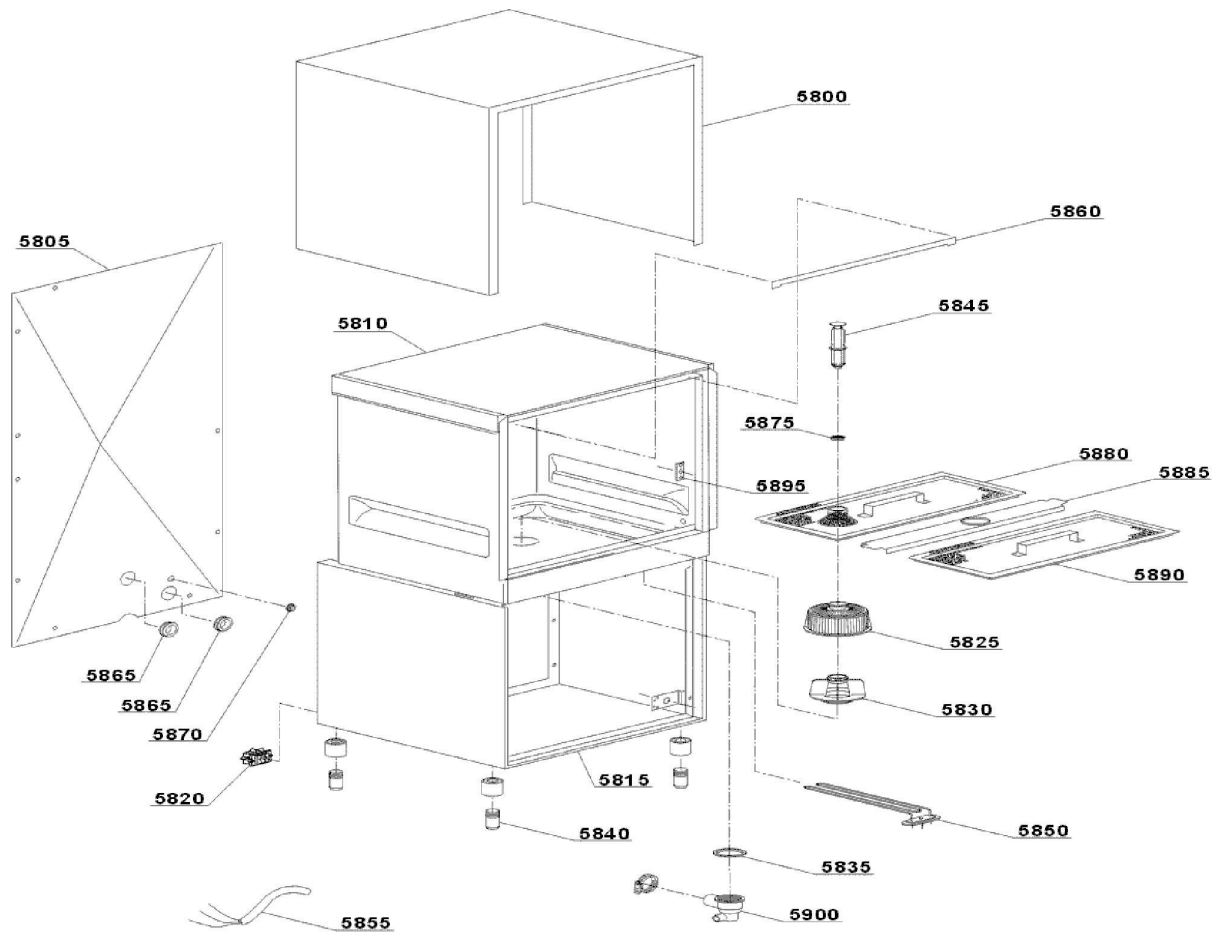
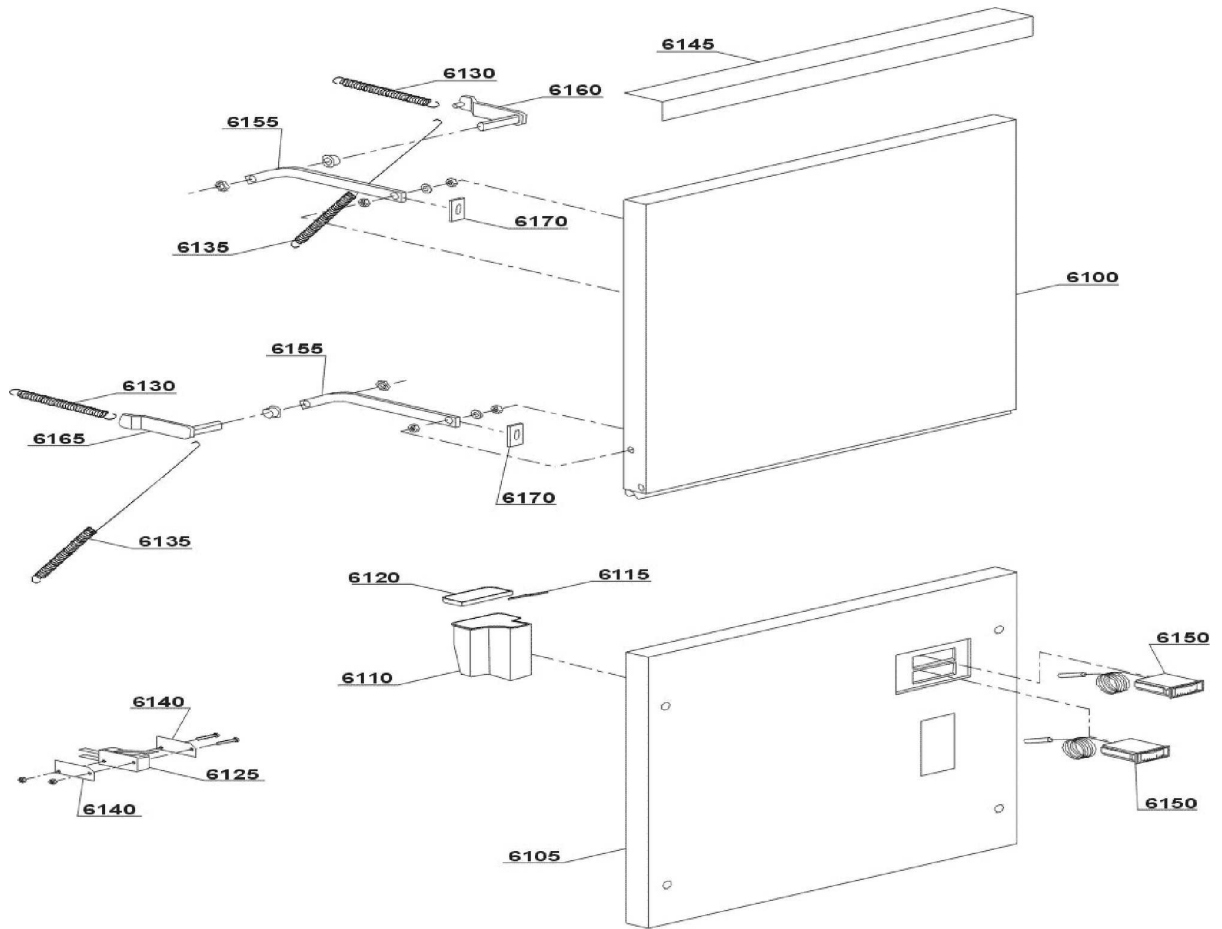




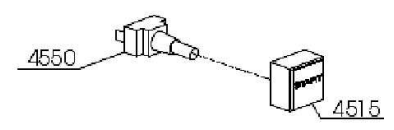
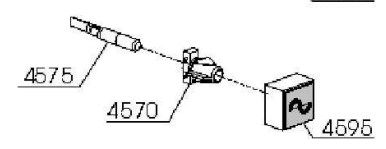
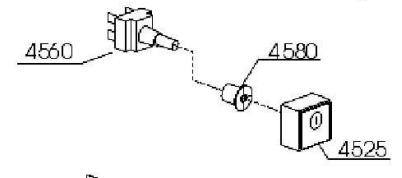
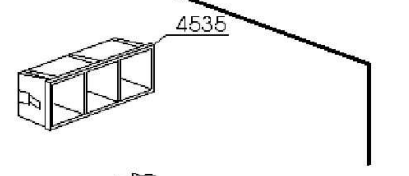
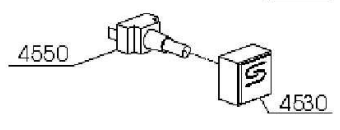
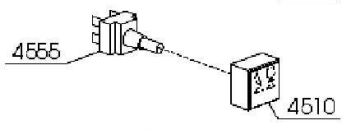
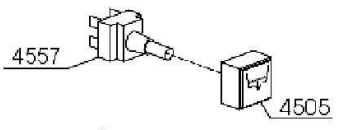
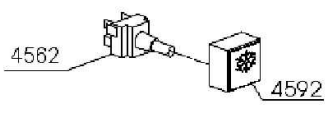
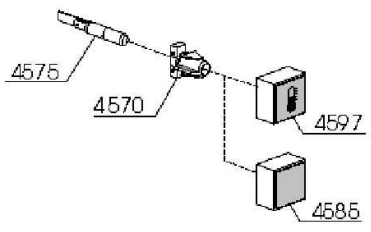
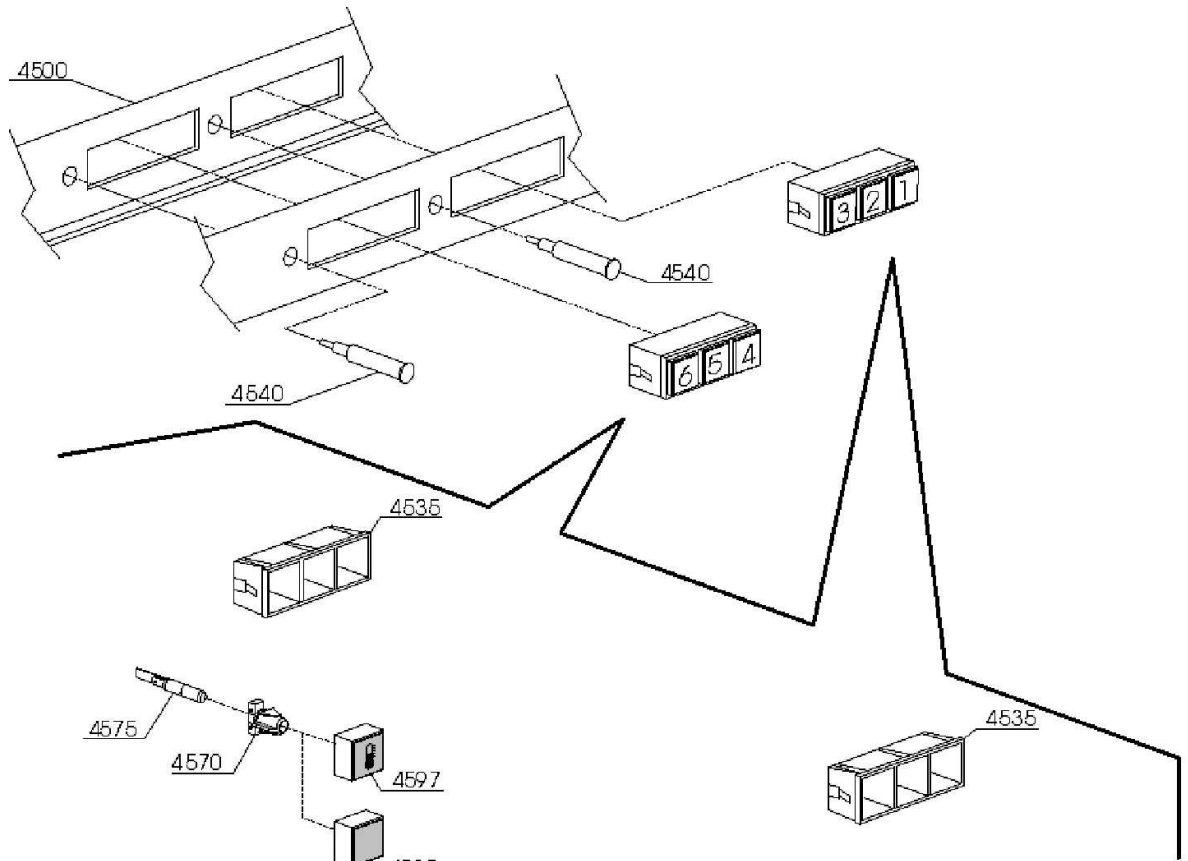
KD85A

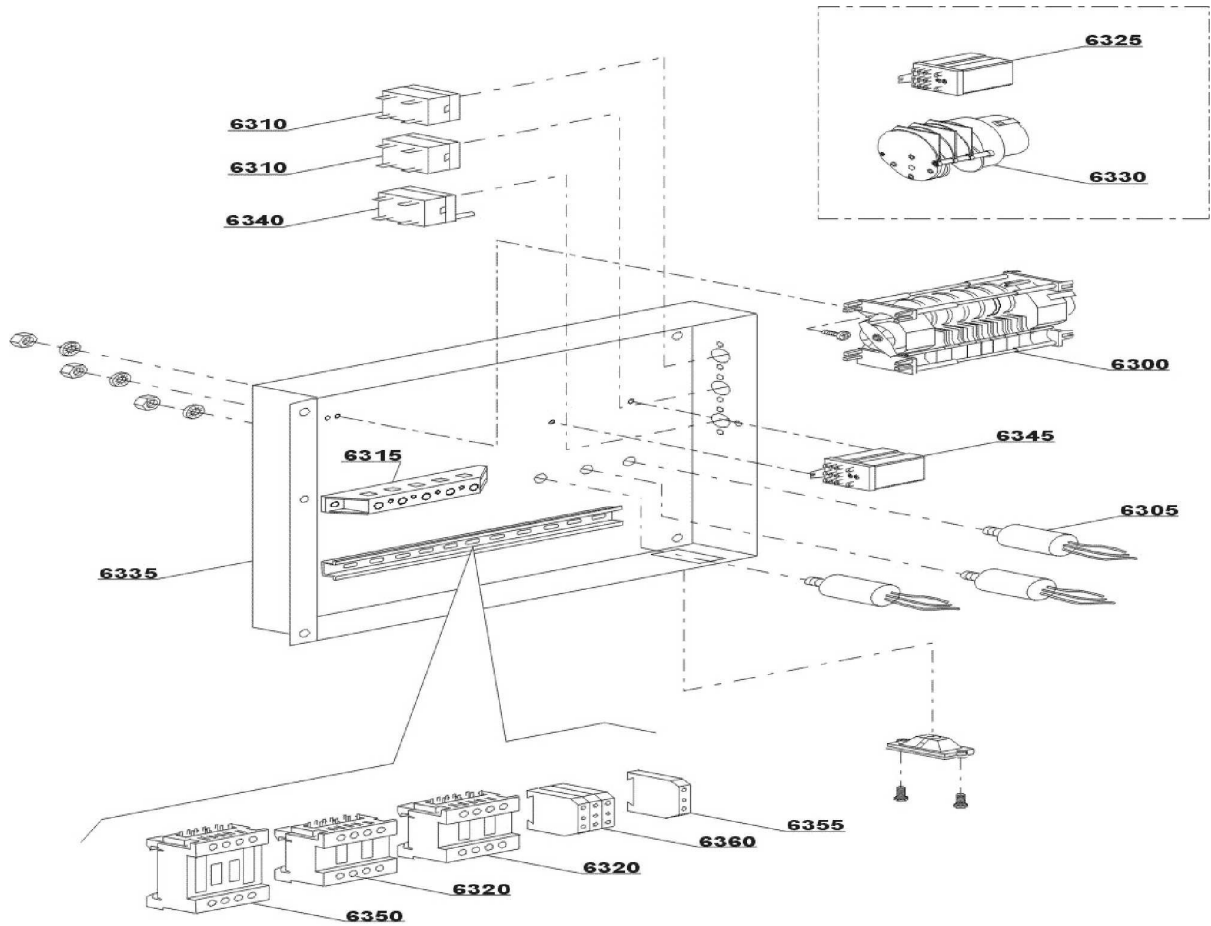
Edition 20140315-

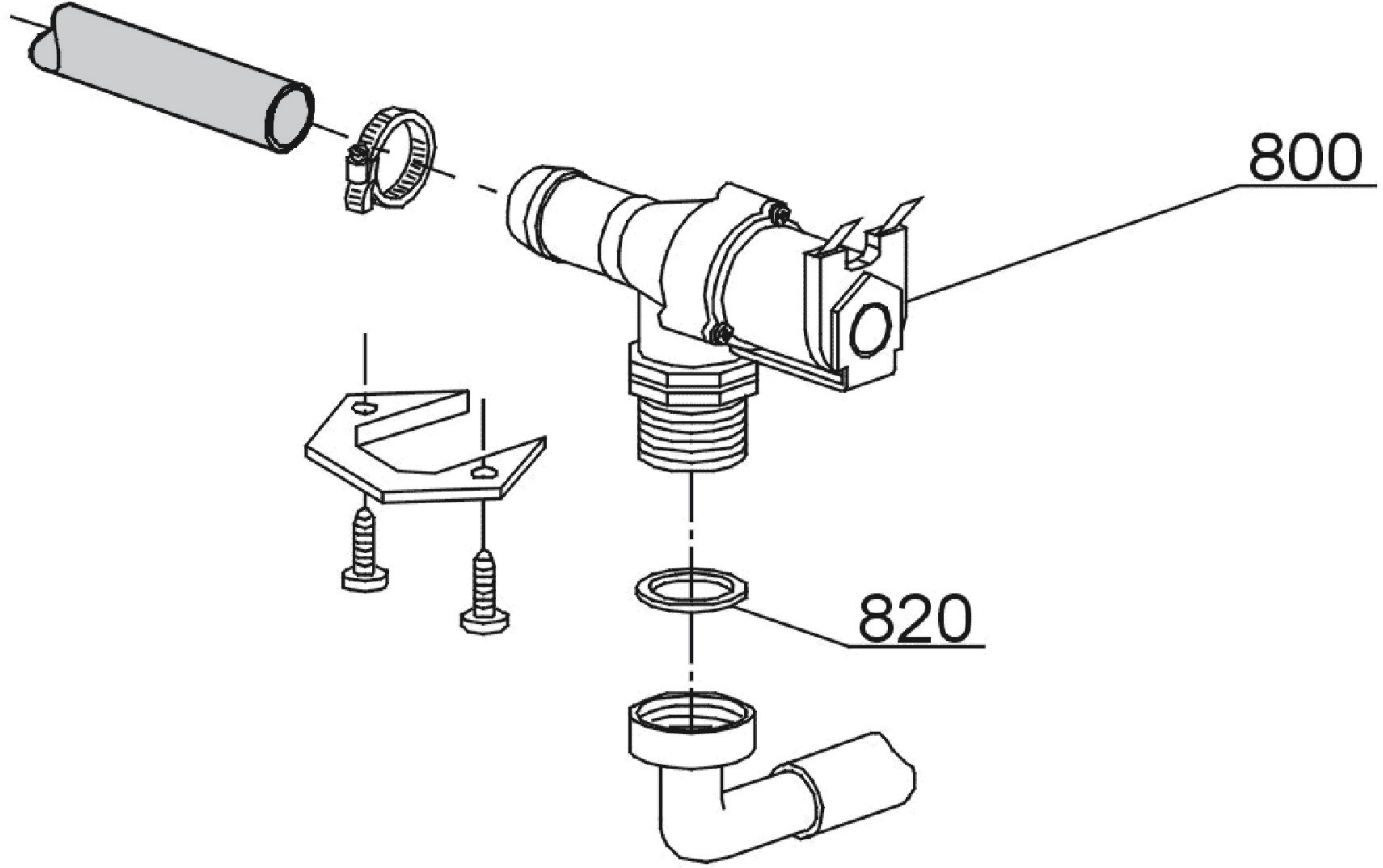


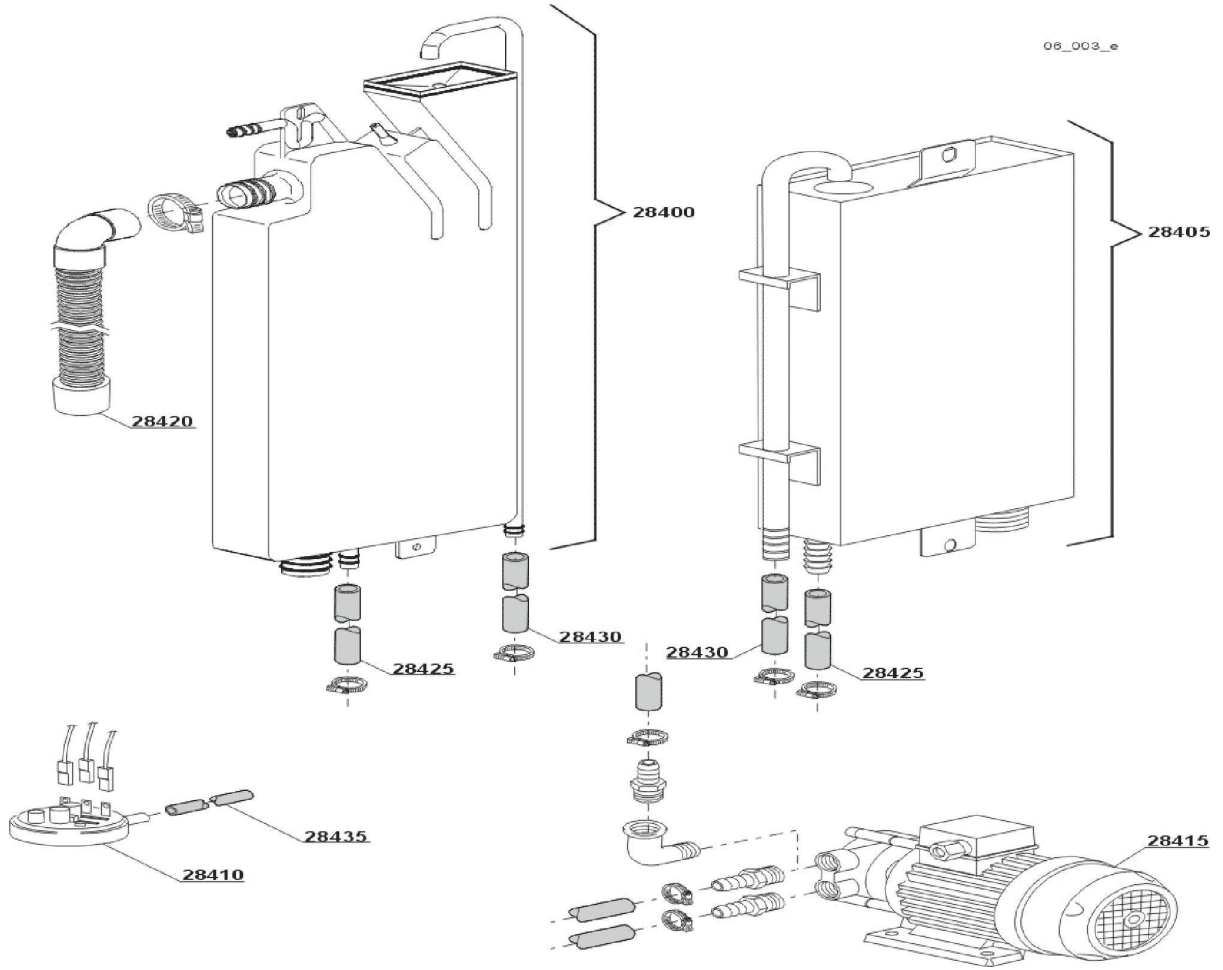


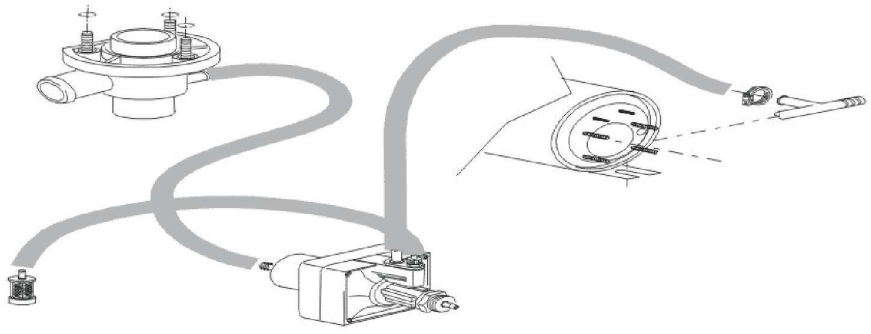
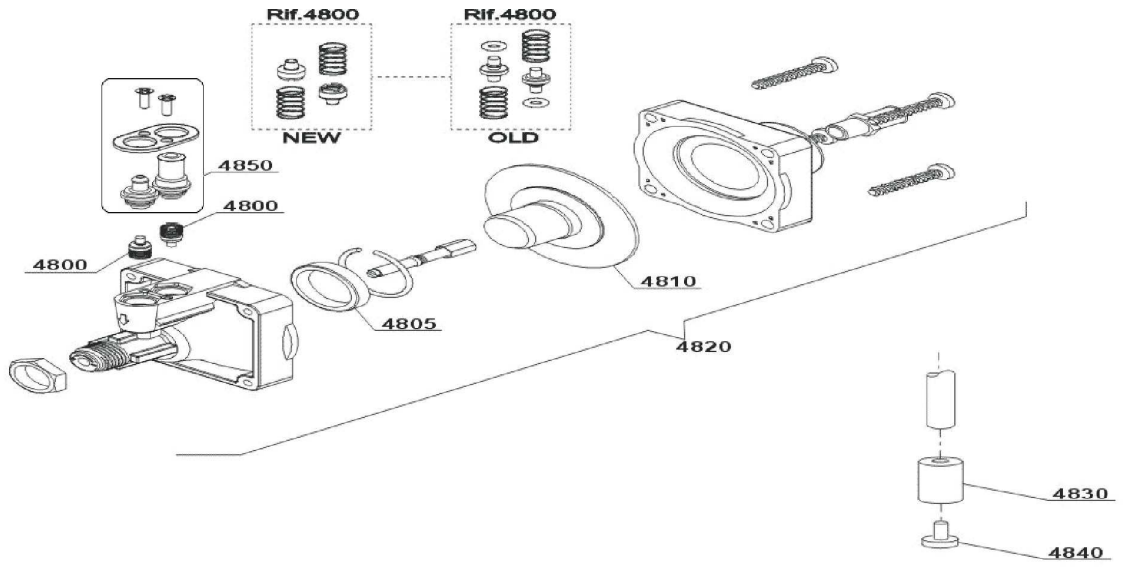
4500

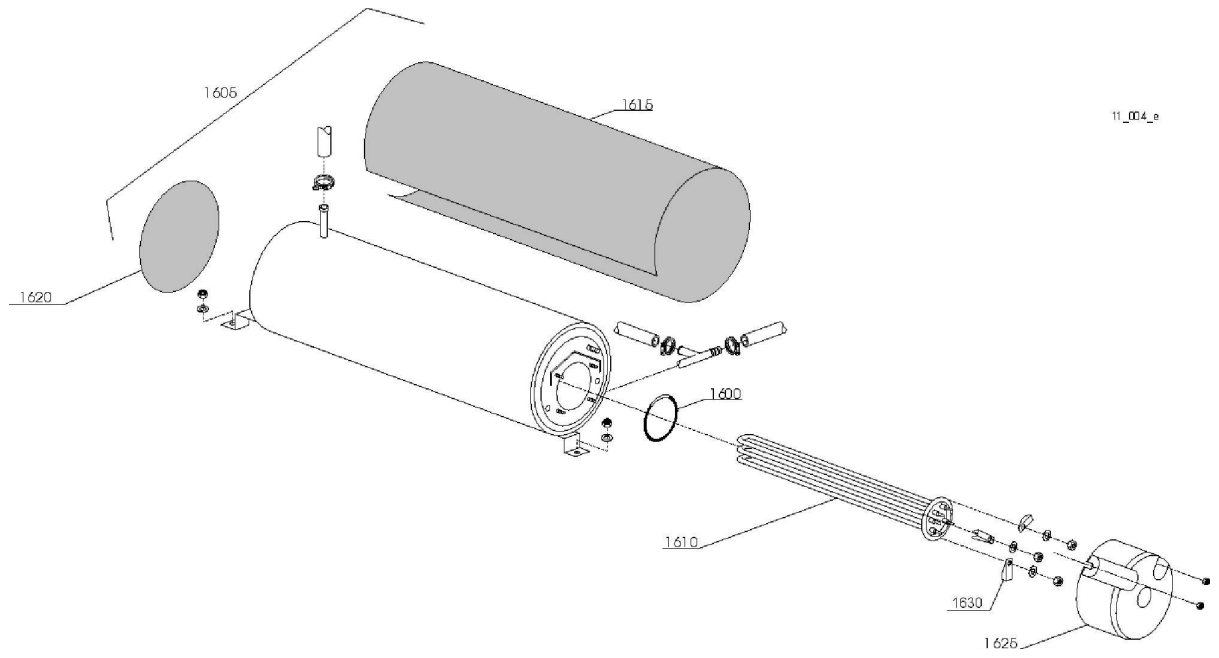






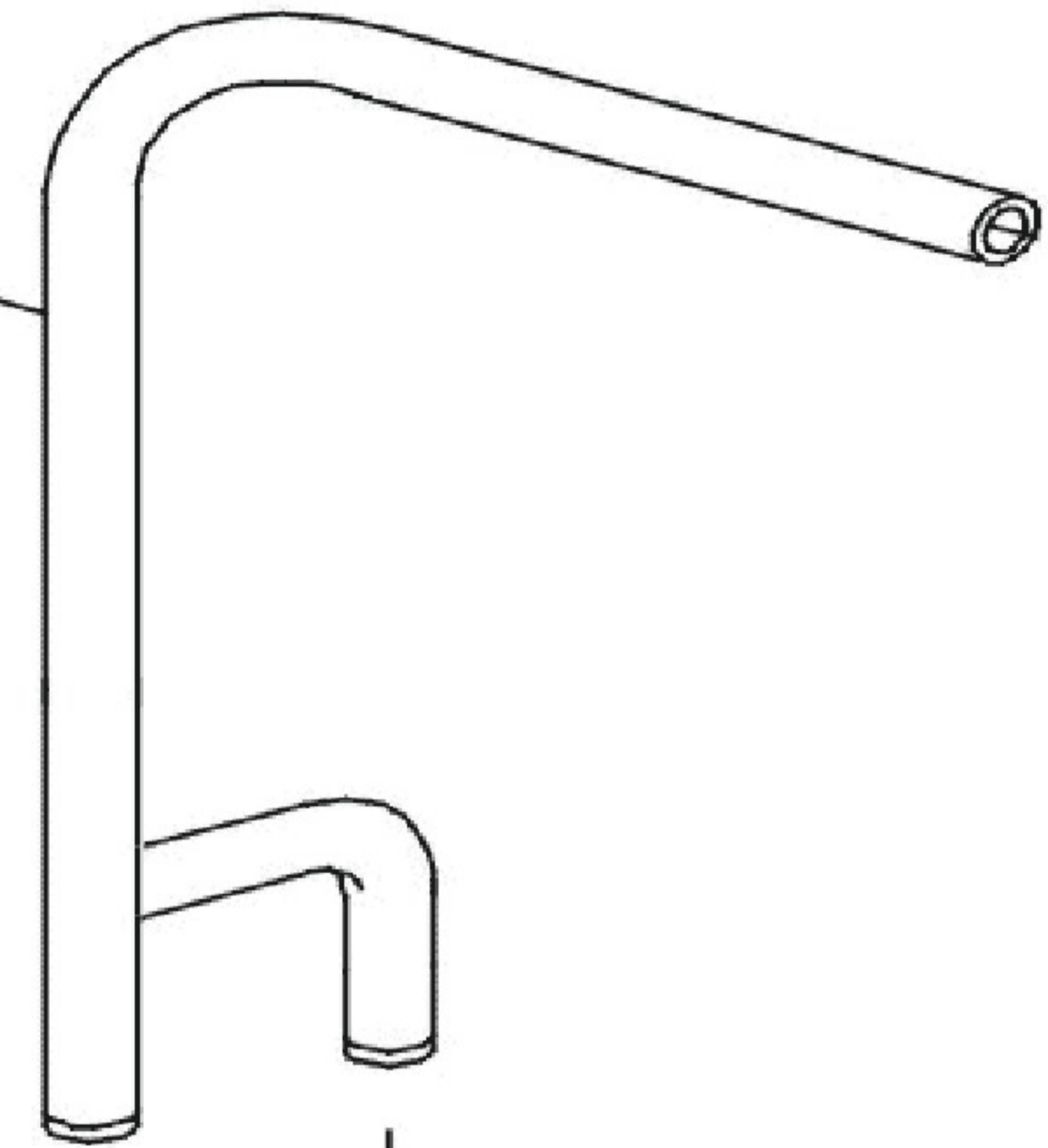




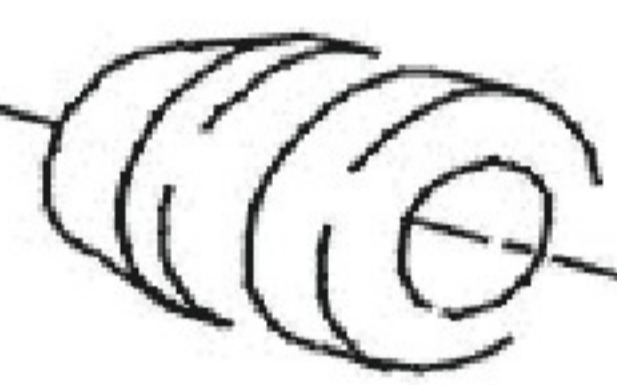
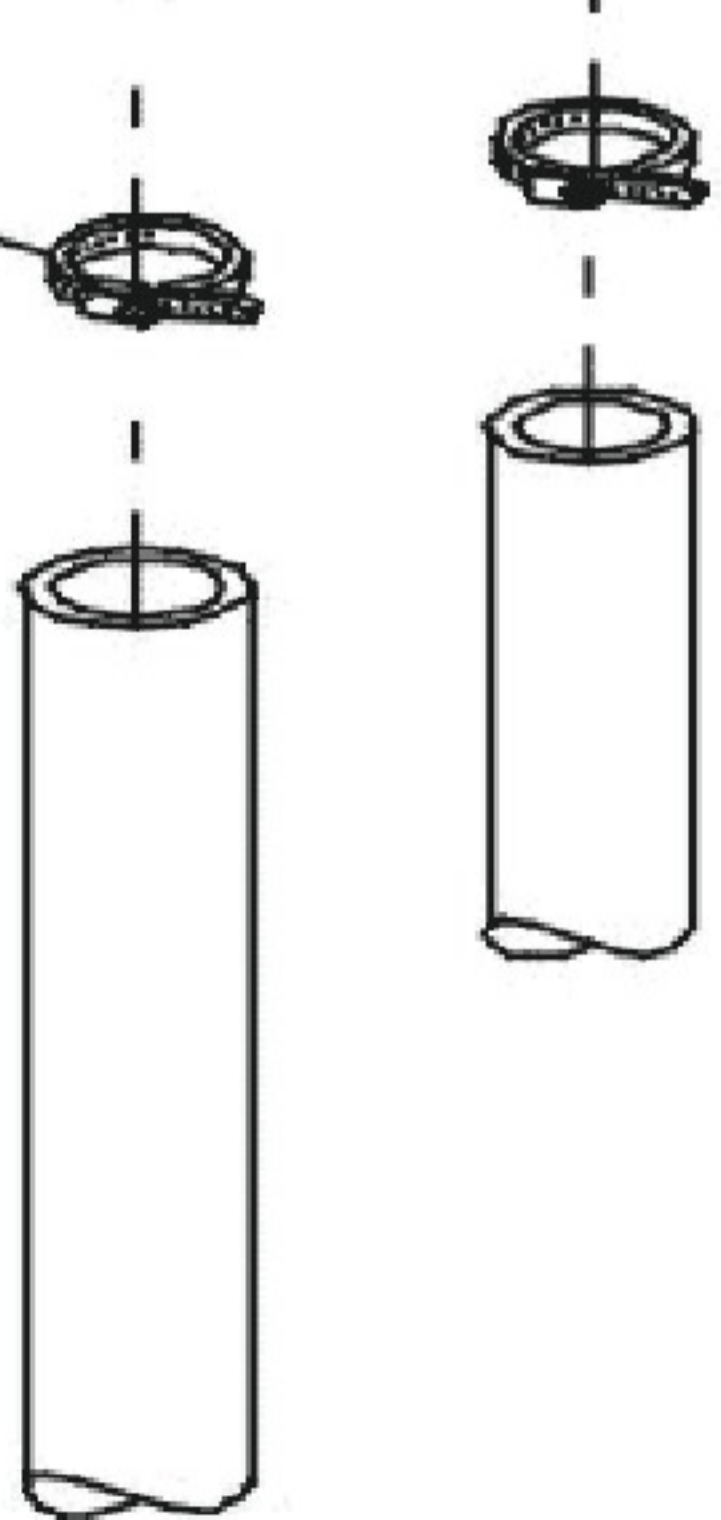


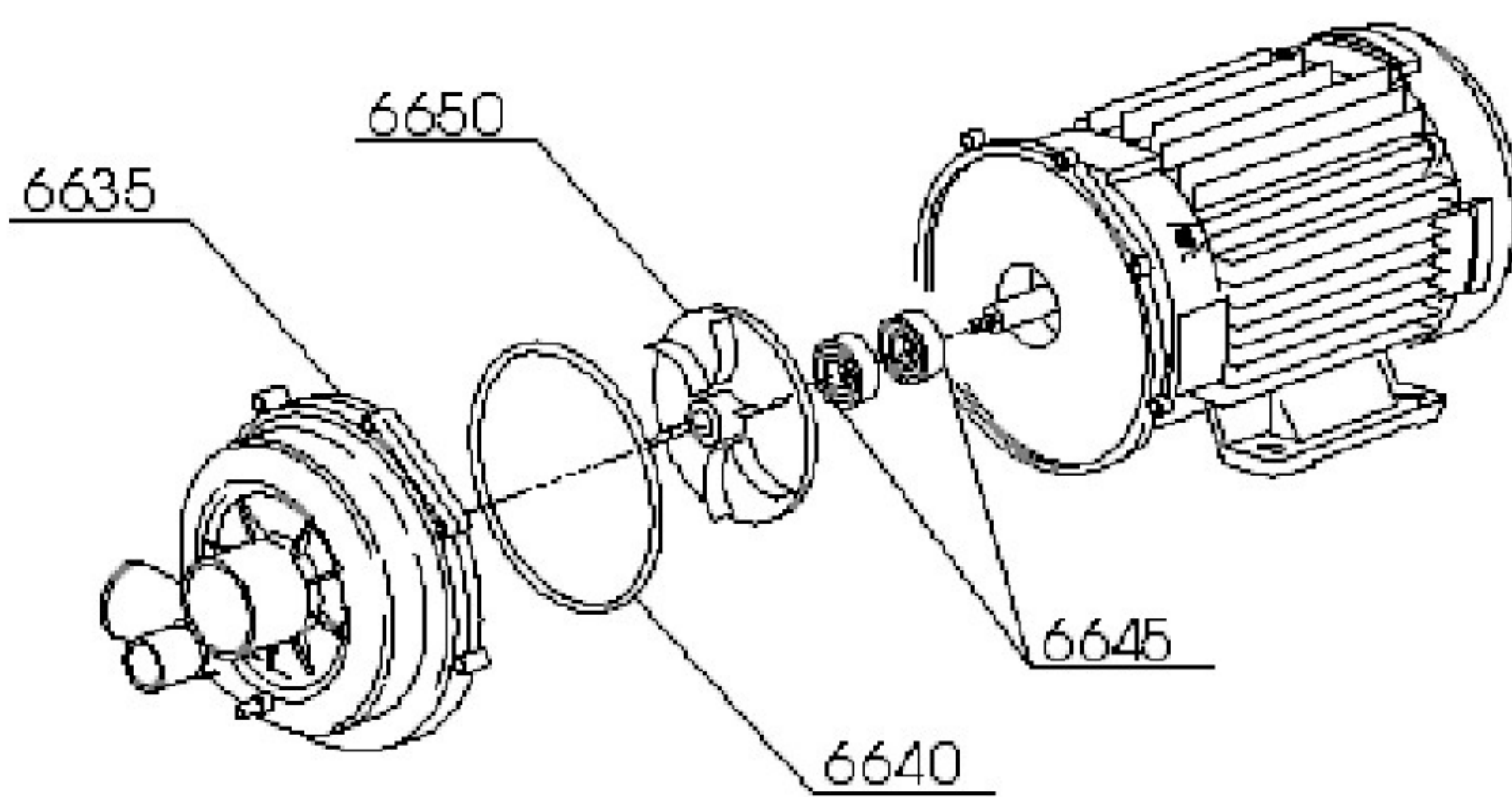
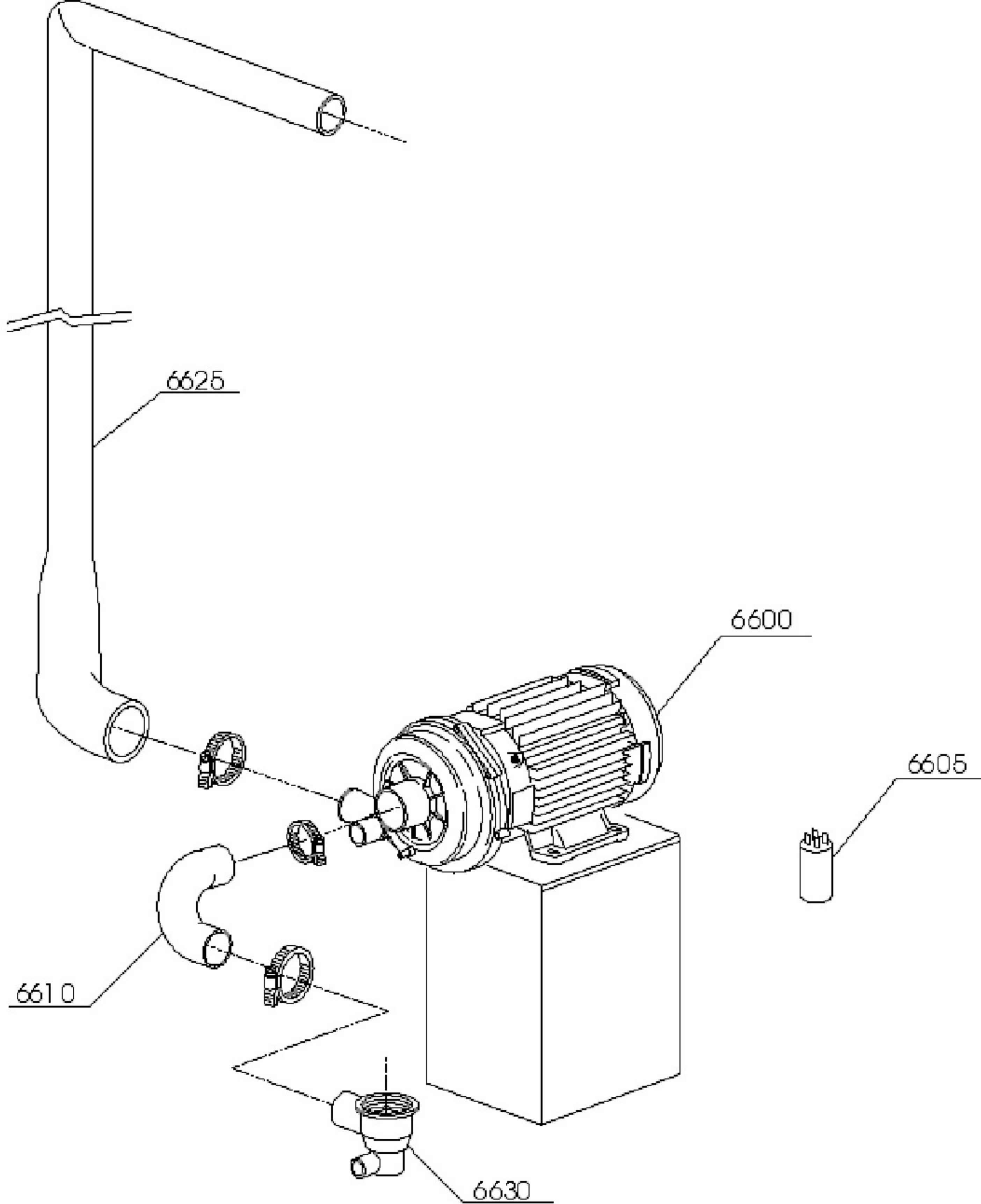
11_004_e

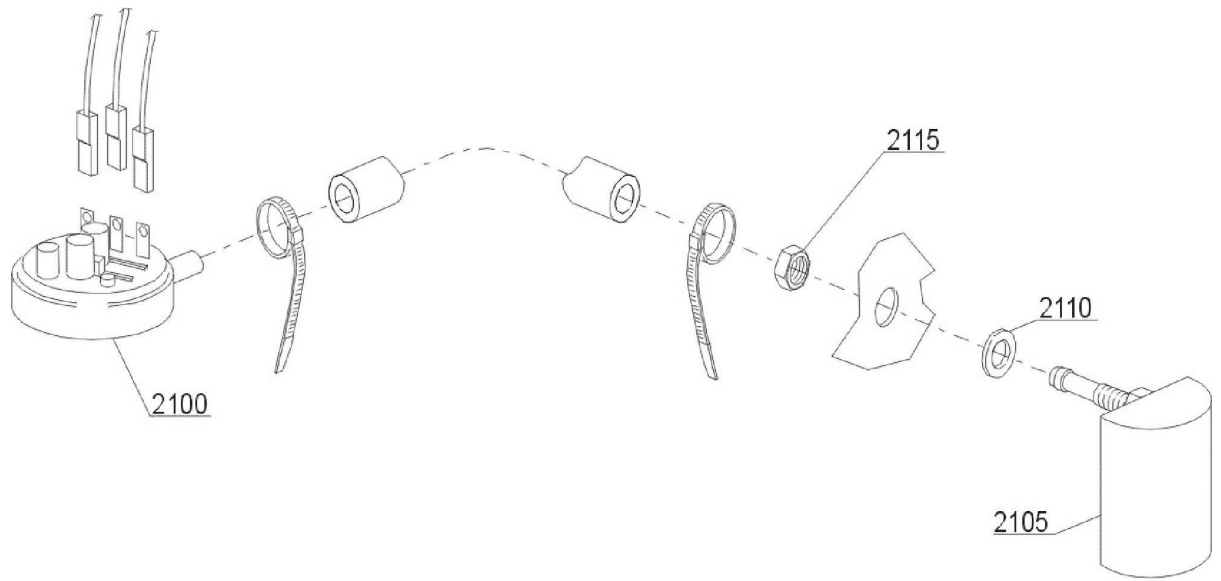
1700

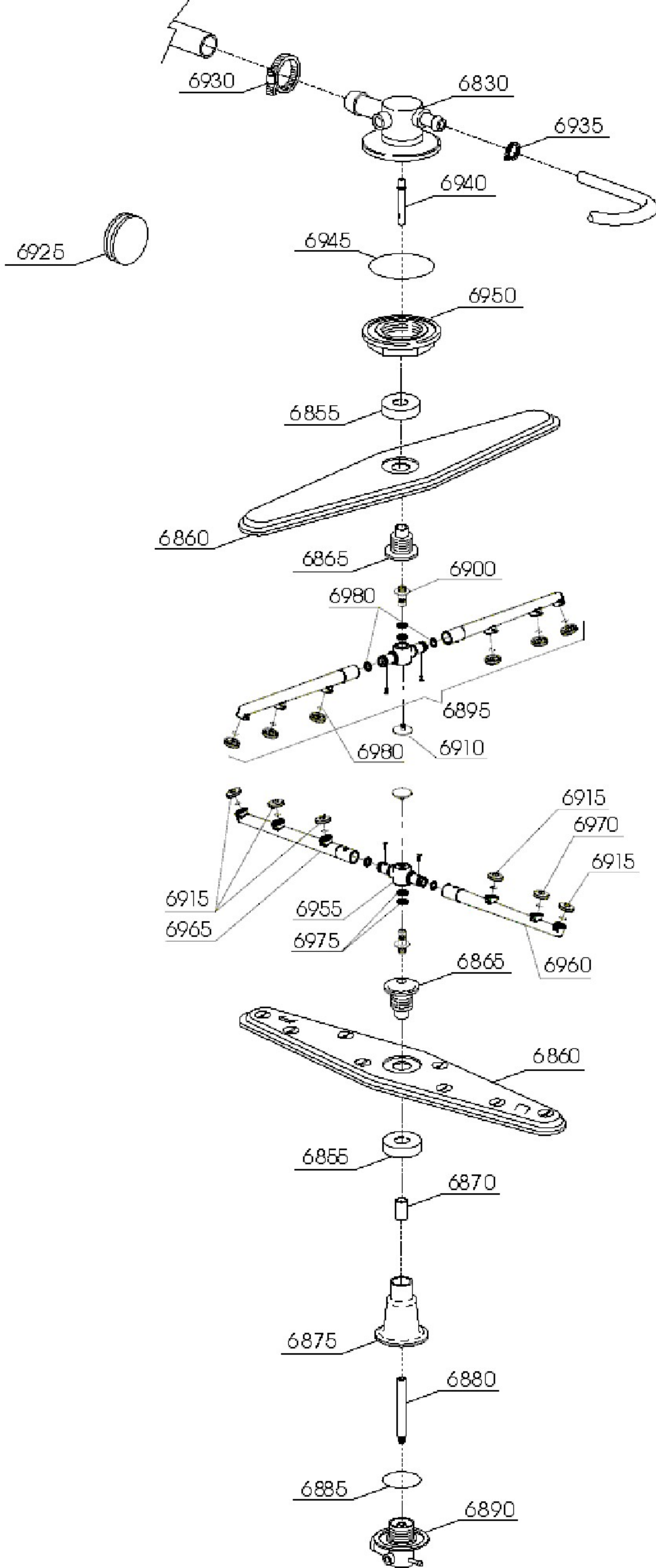


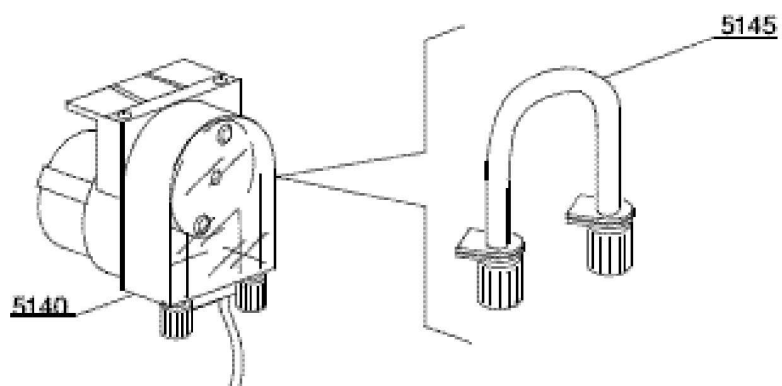
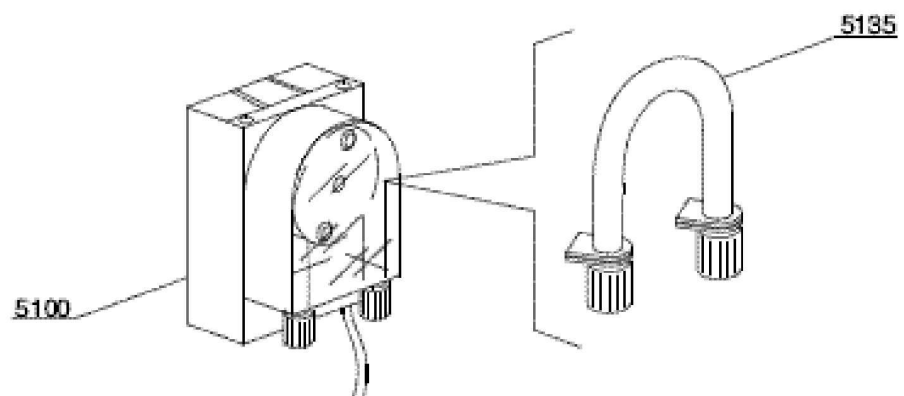
1705

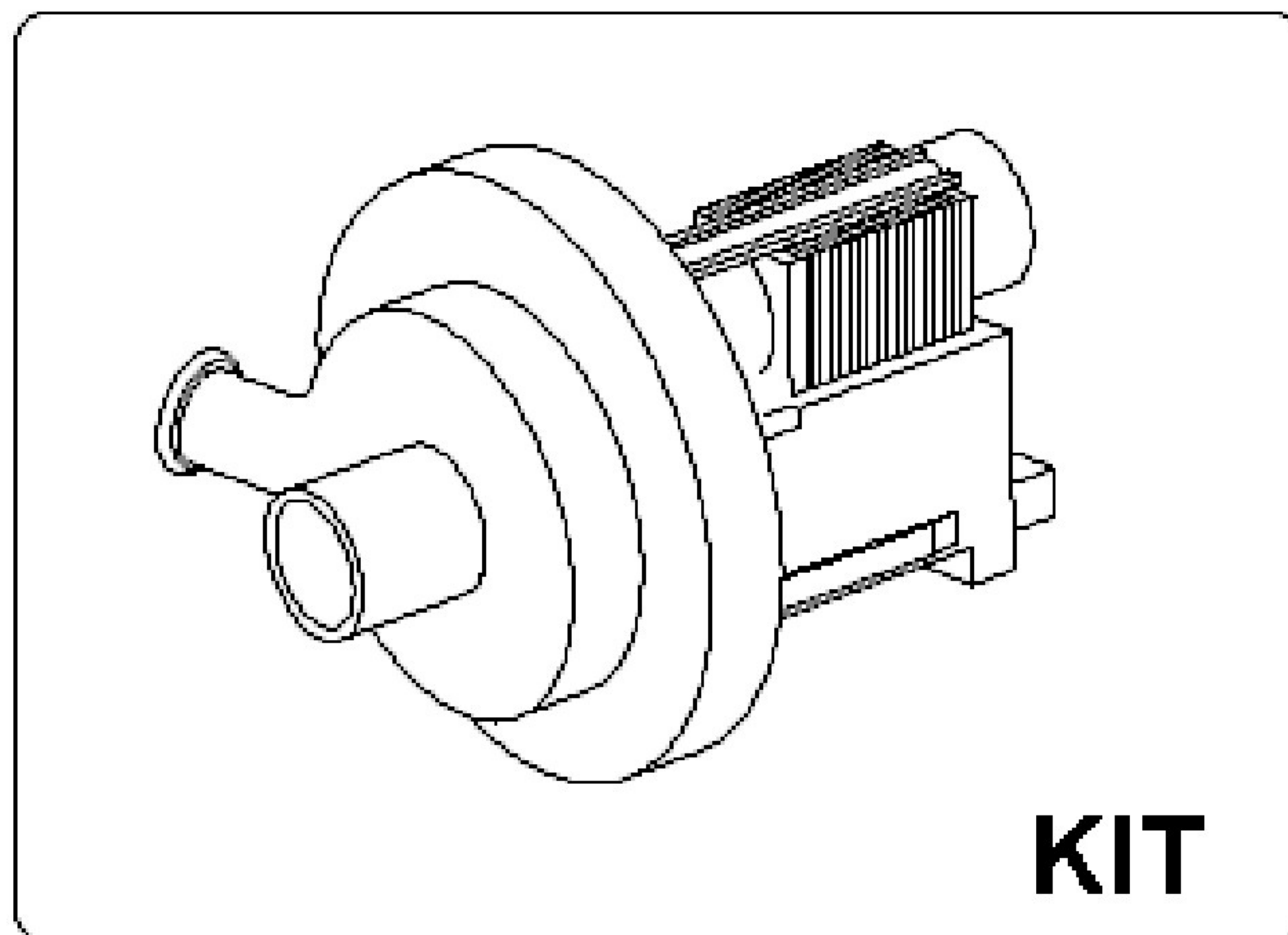












1

Page	Pos	Code	Description	Info
002	5800	KD85A-Pos.5800	Cover	01/07/2003-
002	5805	KD85A-Pos.5805	Back panel	01/07/2003-
002	5810	KD85A-Pos.5810	Body	01/07/2003-
002	5815	KD85A-Pos.5815	Steel base	01/07/2003-
002	5820	32D1850	Cable-fastener with screw	01/07/2003-
002	5825	30Q3250	Suction filter	01/07/2003-
002	5830	3021640	Ferrule with filter	01/07/2003-
002	5835	37Q5100	95x75x3 gasket	01/07/2003-
002	5840	36E4180	Foot	01/07/2003-
002	5845	33D3360	Overflow pipe	01/07/2003-
002	5850	32G3360	HEATING 2,7 Kw	01/07/2003-
002	5855	KD85A-Pos.5855	5x4x3400 cable	01/07/2003-
002	5860	37Q5120	Door ledge gasket	01/07/2003-
002	5865	KD85A-Pos.5865	O46 mm fairlead	01/07/2003-
002	5870	KD85A-Pos.5870	O13mm fairlead	01/07/2003-
002	5875	37Q5140	DEM 40 gasket	01/07/2003-
002	5880	3223960	Surface filter for overflow	01/07/2003-
002	5885	3214400	Sleeper holder-filter	01/07/2003-
002	5890	30Q3220	Surface half-filter	01/07/2003-
002	5895	KD85A-Pos.5895	Door rod slide	01/07/2003-
002	5900	33M1820	Scrap tray	01/07/2003-
003	6100	30G4390	Door	01/07/2003-
003	6105	3039670	Lower door	01/07/2003-
003	6110	36Z1870	Square tank	01/07/2003-
003	6115	36Z1860	Tank cover	01/07/2003-
003	6120	36Z1850	Back tank cover	01/07/2003-
003	6125	32W4240	Door microswitch	01/07/2003-
003	6130	36H1440	Short spring door	01/07/2003-
003	6135	36H1450	Long spring door	01/07/2003-
003	6140	37Q5180	Insulating for door microswitc	01/07/2003-
003	6145	KD85A-Pos.6145	Steel handle	01/07/2003-
003	6150	32V7220	Thermometer	01/07/2003-
003	6155	KD85A-Pos.6155	Door rod	01/07/2003-
003	6160	36M7730	Right hinge door	01/07/2003-
003	6165	36M7740	Left door hinge	01/07/2003-
003	6170	3177410	Hinge door seal	01/07/2003-
004	4500	KD85A-Pos.4500	Control panel	01/07/2003-
004	4510	KD85A-Pos.4510	Yellow push time selector switch key	01/07/2003-
004	4510	KD85A-Pos.4510	Blu time push selector switch key	01/07/2003-
004	4510	KD85A-Pos.4510	Green plate/glass push time selector switch	01/07/2003-
004	4510	KD85A-Pos.4510	Blu plate/glass push time selector switch	01/07/2003-
004	4510	KD85A-Pos.4510	Yellow plate/glass push time selector switch	01/07/2003-
004	4510	3100590	Green time push selector switch	01/07/2003-
004	4515	KD85A-Pos.4515	Blu start key	01/07/2003-
004	4515	3063320	Green start key	01/07/2003-
004	4515	3273760	Yellow start key	01/07/2003-
004	4525	KD85A-Pos.4525	Blu ON-OFF key	01/07/2003-
004	4525	KD85A-Pos.4525	Yellow ON-OFF key	01/07/2003-
004	4525	32W4260	Green ON-OFF key	01/07/2003-
004	4535	36U0870	Square grey triple support	01/07/2003-

Page	Pos	Code	Description	Info
004	4550	3040850	16A unipolar push button	01/07/2003-
004	4555	32W4140	button 16A bipolar switch	01/07/2003-
004	4557	32W4150	16A SWITCH ONLY	01/07/2003-
004	4560	32W4150	16A SWITCH ONLY	01/07/2003-
004	4562	3083620	16A bipolar switch push button	01/07/2003-
004	4570	36U0850	Pilot light support	01/07/2003-
004	4575	32W4220	Pilot light	01/07/2003-
004	4580	33Q6440	Green-orange cam	01/07/2003-
004	4590	36Q2060	Grey key	01/07/2003-
004	4595	3025580	Green square cycle gem	01/07/2003-
004	4597	3065830	Green square temperature gem	01/07/2003-
005	6300	32V7320	"90/180"" timer 400V/380V-50Hz/6"	01/07/2003-
005	6305	32V7020	Low noise filter	01/07/2003-
005	6310	32V7240	0-90°C thermostat	01/07/2003-
005	6315	32D1860	6 poles terminal board	01/07/2003-
005	6315	KD85A-Pos.6315	3 poles terminal board	01/07/2003-
005	6320	32V7170	Remote control switch 230V 50/	01/07/2003-
005	6320	32V7170	Remote control switch 230V 50/	15/03/2014-
005	6335	3244610	Electric components panel	01/07/2003-
005	6340	32V7260	SAFETY THERMOSTAT	01/07/2003-
005	6345	32V7100	Bipolar relay in deviation	01/07/2003-
005	6350	32V7200	25A/12A remote control switch	01/07/2003-
006	800	33D3280	Modification Single solenoid valve	01/07/2003-
006	820	KD85A-Pos.820	Pression reducing valve	01/07/2003-
007	28400	3055420	3,5 L Break tank assembly	01/07/2003-
007	28405	3025820	2,4 L Break tank assembly	01/07/2003-
007	28410	32V7060	47-27 pressure switch	01/07/2003-
007	28415	3057760	Booster pump 220/240V - body p	01/07/2003-
007	28420	3049540	MEDIUM PIPE L=920	01/07/2003-
007	28425	3051290	RUBBER PIPE EPDM 12X20	01/07/2003-
007	28430	3051300	RUBBER PIPE PVC WRAS	01/07/2003-
007	28435	3036160	4,5X9 EPDM rubber pipe	01/07/2003-
008	4800	3023040	Tecnopro dosing valve	01/07/2003-
008	4805	3024680	O22 gasket	01/07/2003-
008	4810	3206600	Membrane	01/07/2003-
008	4820	33D3240	3 out shining product dosing d	01/07/2003-
008	4830	36H1500	Counter-weight	01/07/2003-
008	4840	30Q3210	Small filter	01/07/2003-
008	4850	3187520	Flexible-pipe holder	01/07/2003-
009	1600	37Q5260	6225 OR 160 NBR gasket	01/07/2003-
009	1605	34A2560	Boiler + insulating boiler	01/07/2003-
009	1610	3037760	6KW heating element	01/07/2003-
009	1615	3216940	Boiler insulating	01/07/2003-
009	1620	3216950	Ø160 bottom	01/07/2003-
009	1625	35E8870	Heating element guard	01/07/2003-
009	1630	3113780	HEATING ELEMENT SUPPORT	01/07/2003-
010	1700	3012560	3 ways derivation	01/07/2003-
010	1705	3140230	12/20 PIPE CLAMP	01/07/2003-
011	6600	32M6990	WASHING PUMP	01/07/2003-
011	6605	32V6990	Condenser 16 uF	01/11/2004-
011	6610	3092510	Pump pipe coupling	01/11/2004-

Page	Pos	Code	Description	Info
011	6625	3092520	Top delivery pipe	01/11/2004-
011	6630	33M1820	Scrap tray	01/07/2003-
011	6635	3020380	Scroll	01/07/2003-
011	6640	3020400	OR gasket	01/07/2003-
011	6645	3036790	ROTATING SEALS	01/07/2003-
011	6650	3020390	Pump rotor	01/07/2003-
012	2100	32V7070	Modification 76-38 pressure switch	01/07/2003-
012	2105	33D3330	Grey air trap assembly	01/07/2003-
012	2110	37Q5130	Gasket	01/07/2003-
012	2115	33Q6470	M8 stainless steel nut	01/07/2003-
013	6830	33Q6680	Top/lower turret	01/11/2004-
013	6855	33Q6490	Nut for hub	01/07/2003-
013	6860	36H1400	Stainless steel wash rotor	01/07/2003-
013	6865	33Q6590	Hub for rotor	01/07/2003-
013	6870	36E4130	Hub rotor/pipe coupling spacer	01/07/2003-
013	6875	33M1760	Lower pipe coupling	01/11/2004-
013	6880	33Q5350	Rinse lower distributor connec	01/07/2003-
013	6885	37Q5260	6225 OR 160 NBR gasket	01/07/2003-
013	6890	33Q6680	Top/lower turret	01/07/2003-
013	6895	3028930	Top/lower rinse group	31/07/2009-
013	6900	3036720	Rinse axle	01/11/2004-
013	6910	3036730	Rinse screw	01/11/2004-
013	6915	3035840	OPENED HEAD RINSE	31/07/2009-
013	6925	3113650	NOZZLE DVGW hole gasket	01/07/2003-
013	6930	3223050	25/40 clamp	01/11/2004-
013	6935	3140230	12/20 PIPE CLAMP	01/11/2004-
013	6940	35Z6760	Rinse axle extension	01/11/2004-
013	6945	37Q5260	6225 OR 160 NBR gasket	01/11/2004-
013	6950	3036900	RING NUT FOR FIXING TURRET	01/11/2004-
013	6955	3175070	Rinse rotor	31/07/2009-
013	6960	3176000	Right rinse pipe	31/07/2009-
013	6965	3176010	Left rinse pipe	31/07/2009-
013	6970	3040290	CLOSED HEAD RINSE NOZZLE	31/07/2009-
013	6975	3176020	GASKET	31/07/2009-
013	6980	3035830	OR R6 NBR gasket	31/07/2009-
014	5100	3040280	DETERGENT AID PUMP SEKO/GERMAC/PLAS	01/07/2003-
014	5135	3182520	CONT PIPE SEKO	01/07/2003-
014	5140	3040280	DETERGENT AID PUMP SEKO/GERMAC/PLAS X CONT	01/07/2003-
014	5145	3182530	Ø8 Germac thermoplastic pipe	01/07/2003-
015	001	3023890	DRAIN PUMP ASSEMBLY (ACCESSORY TO BE	01/01/2008-