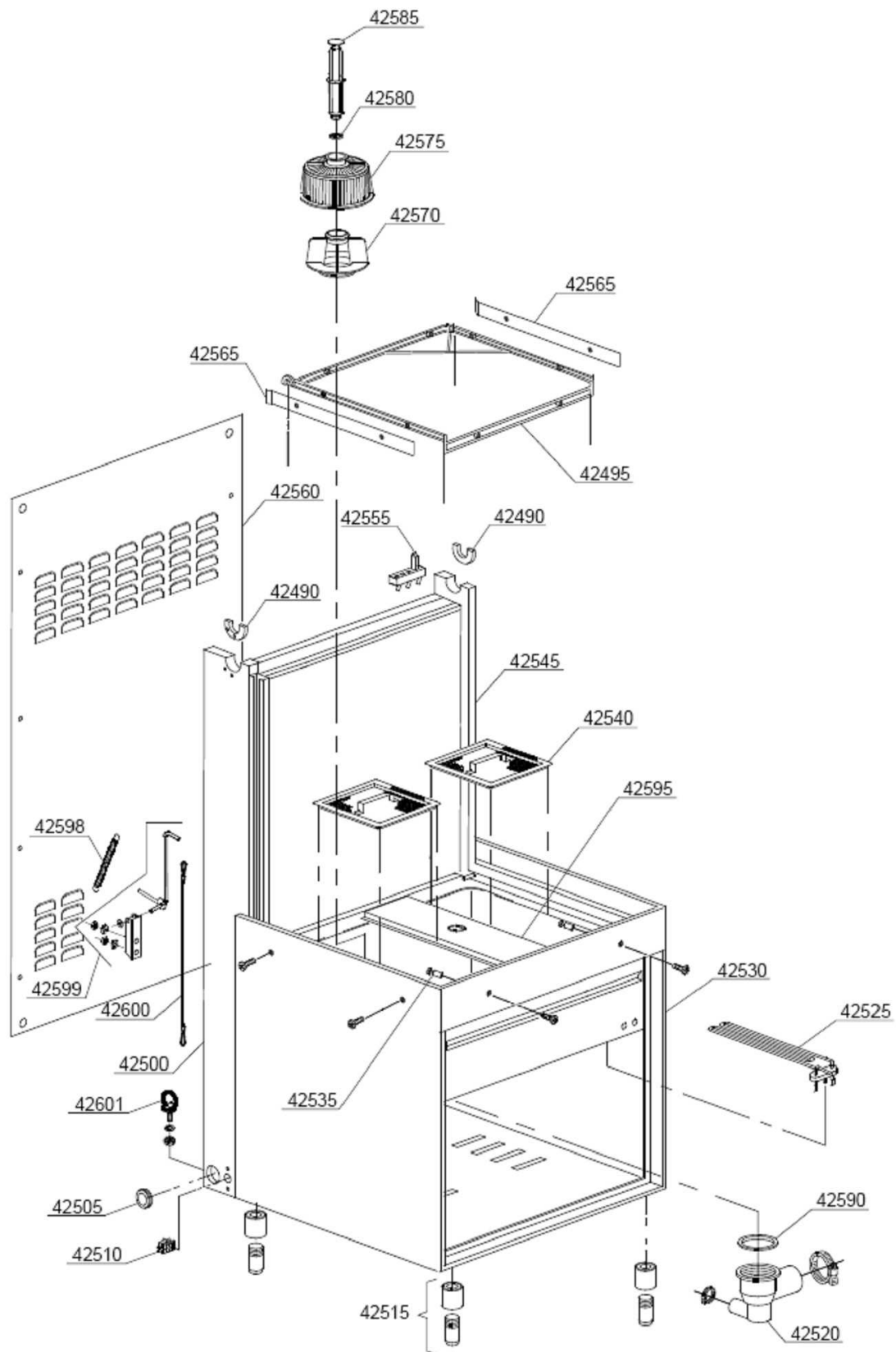
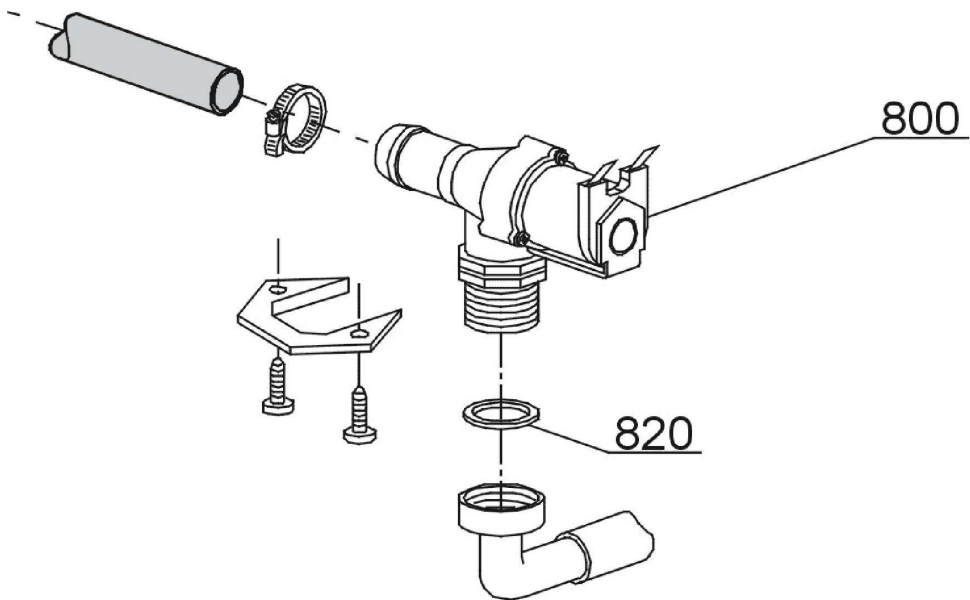




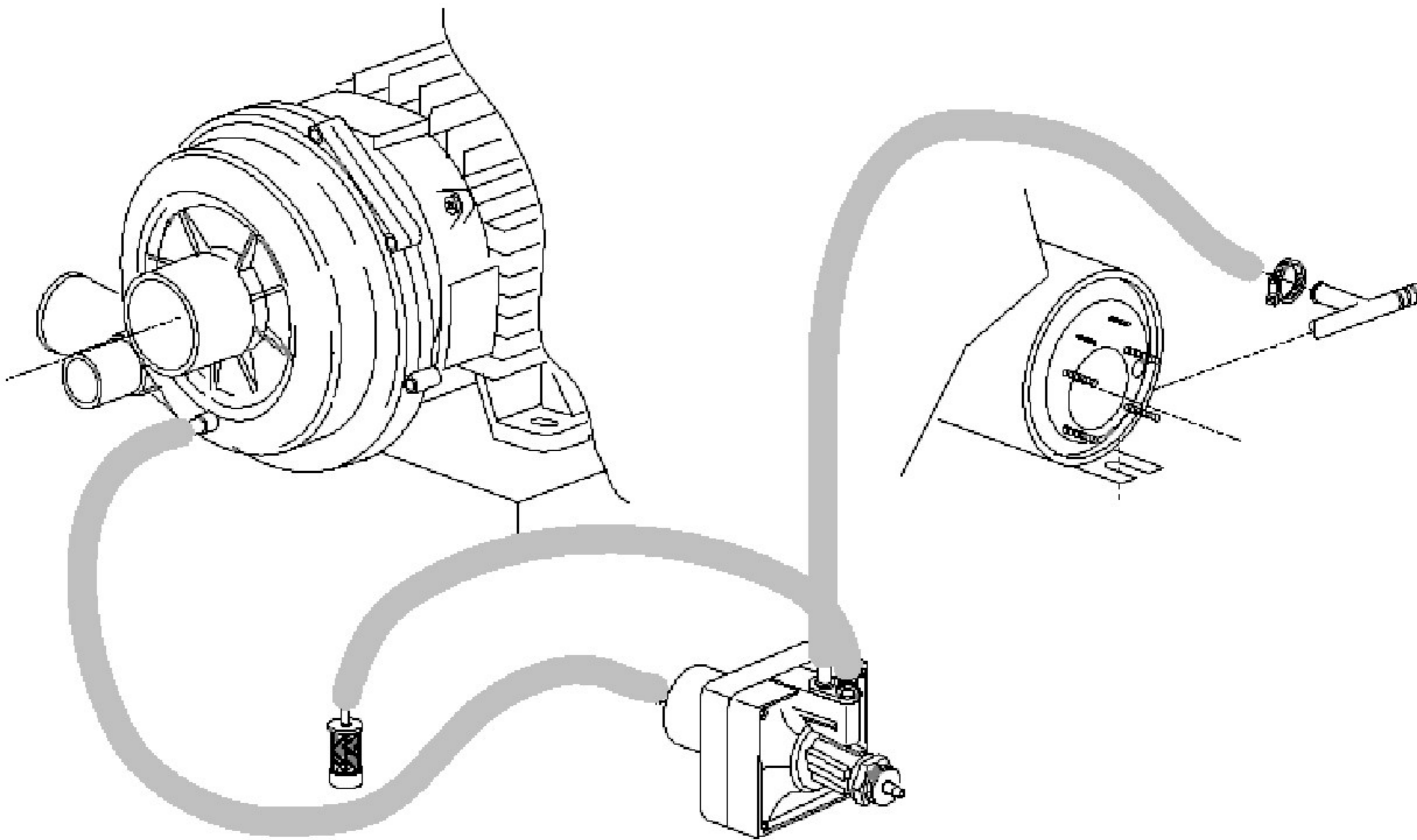
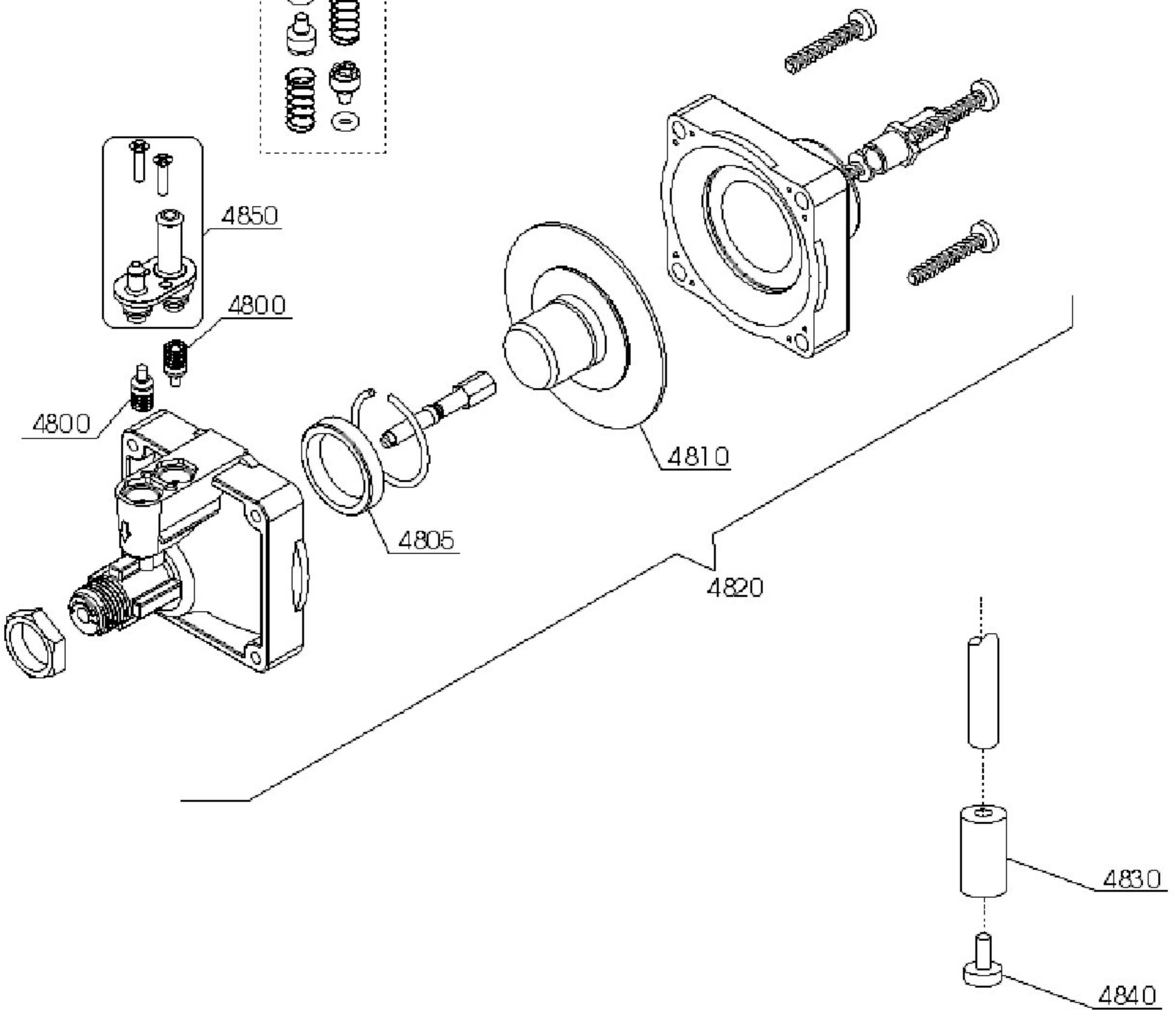
KN11PSDD

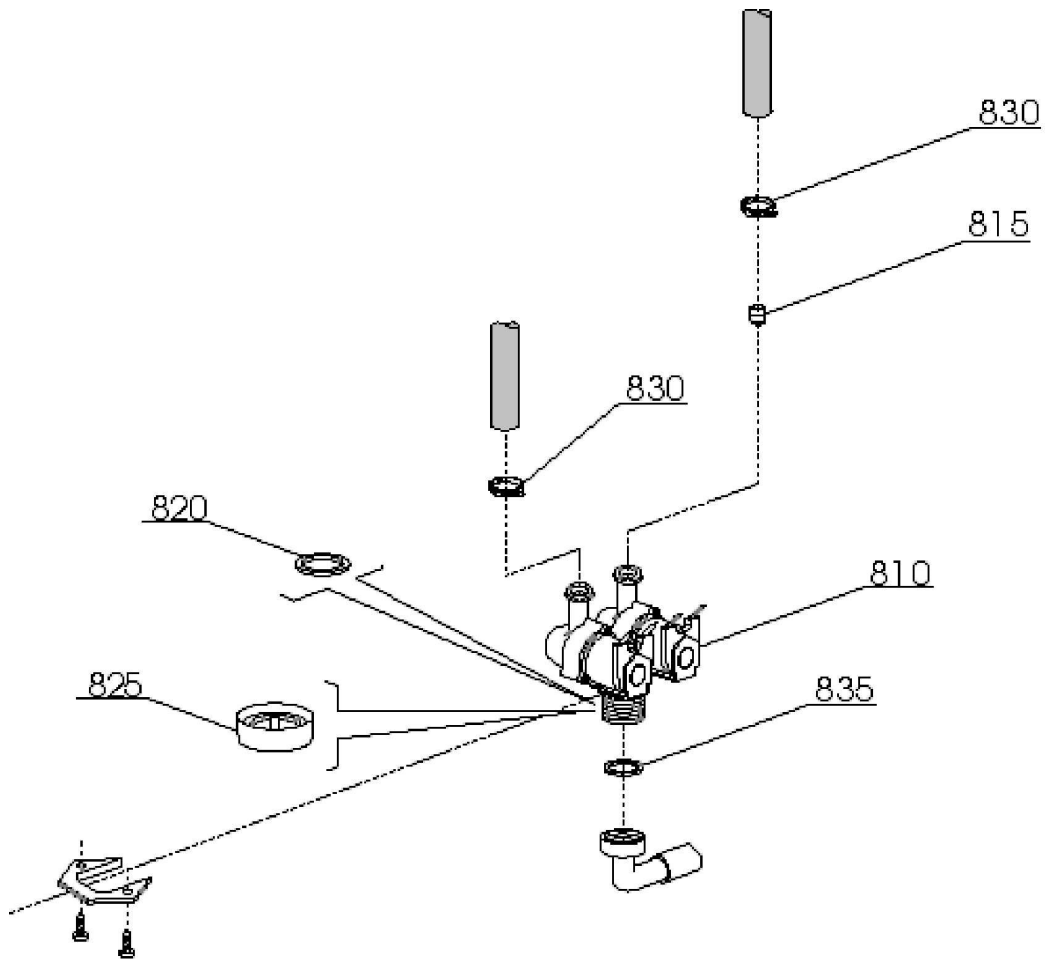
Edition 20120901-

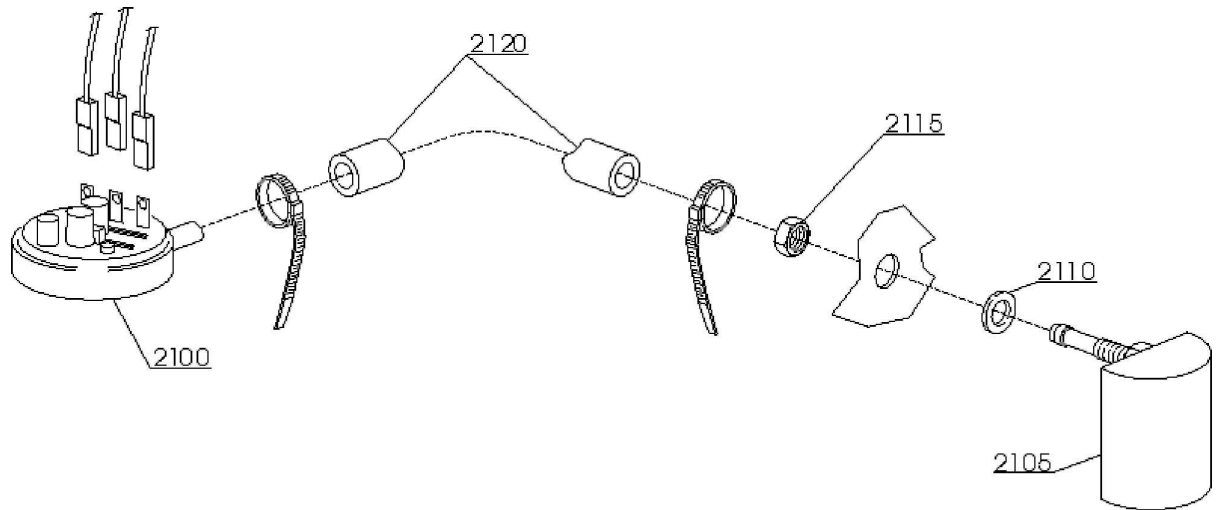


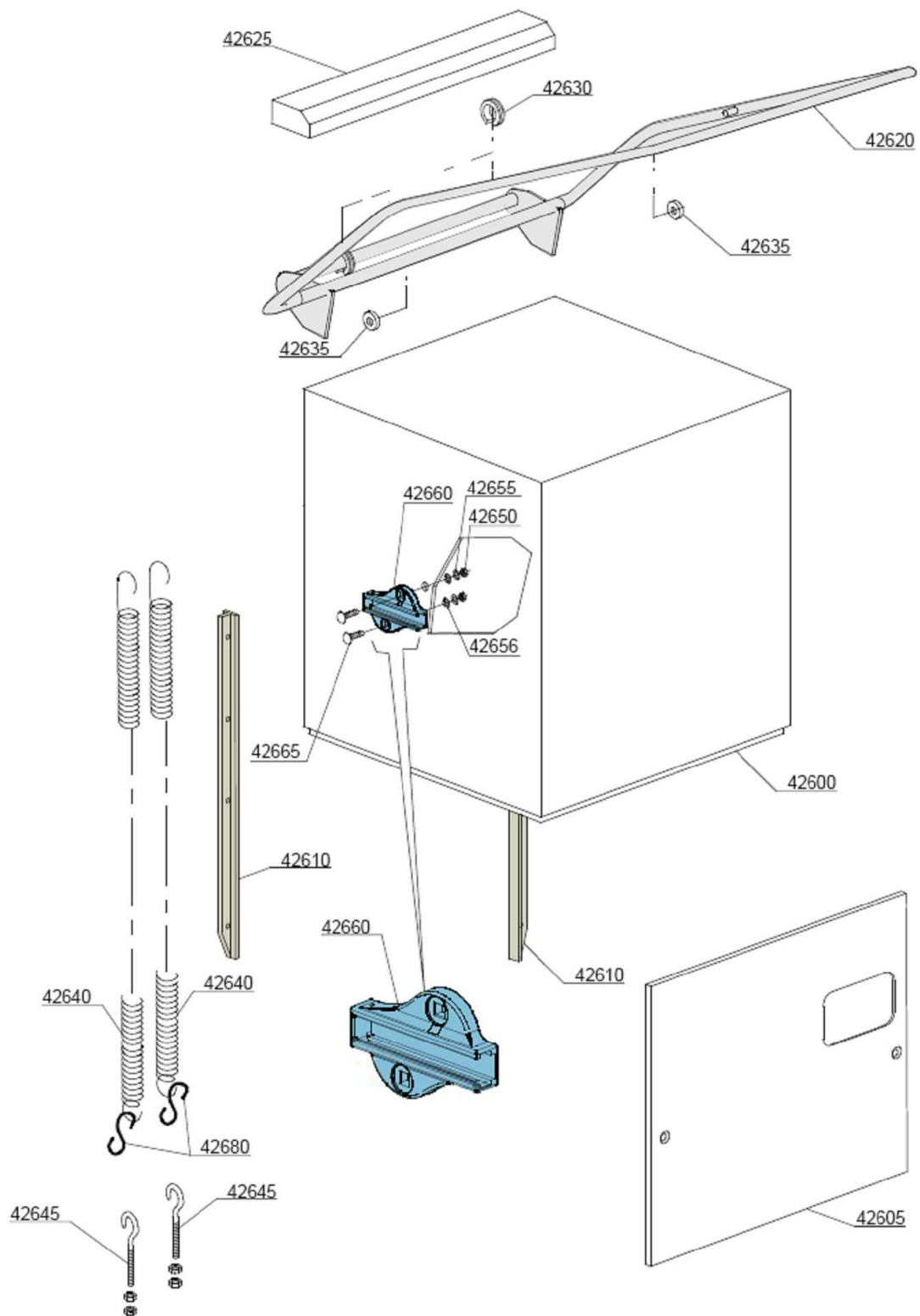


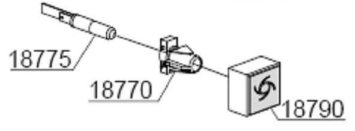
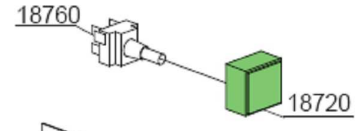
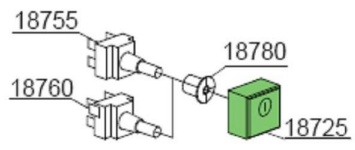
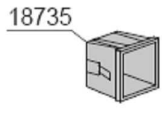
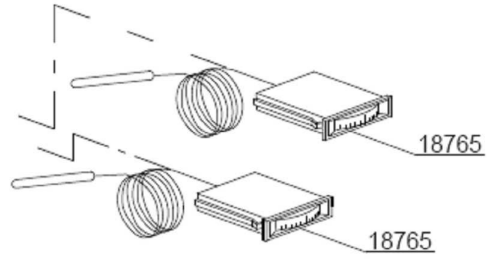
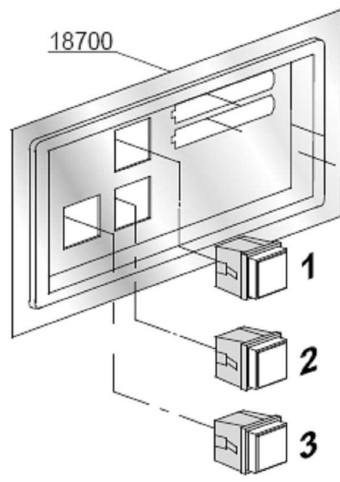
Rf. 4800

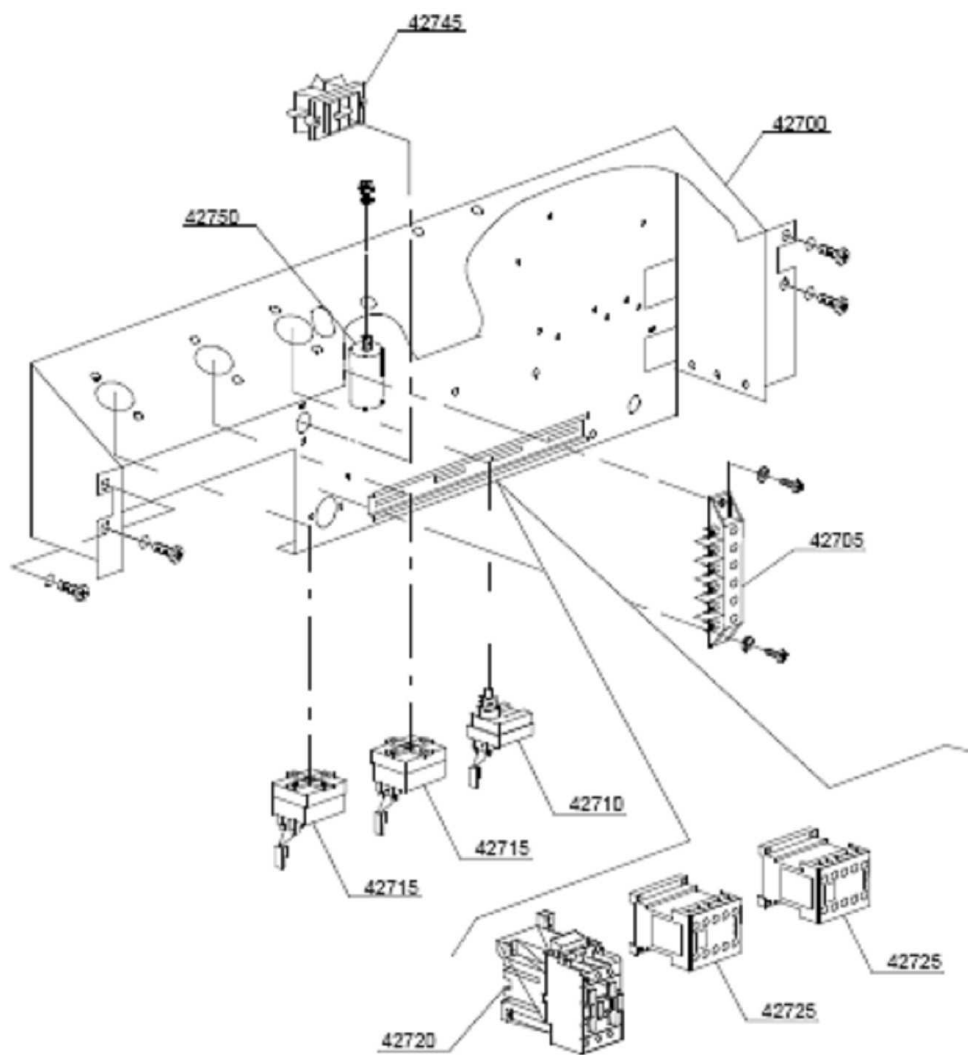
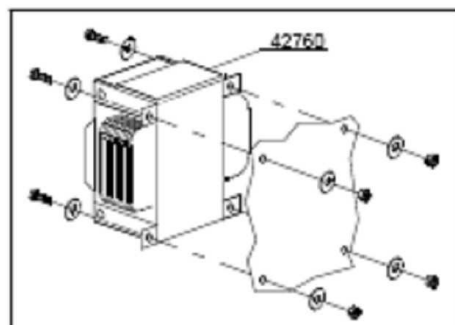
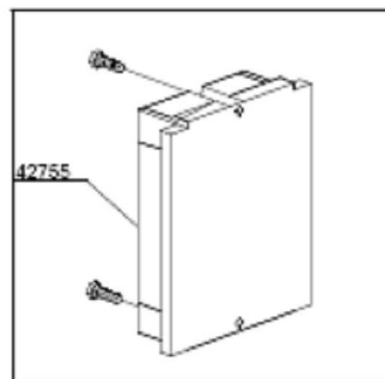


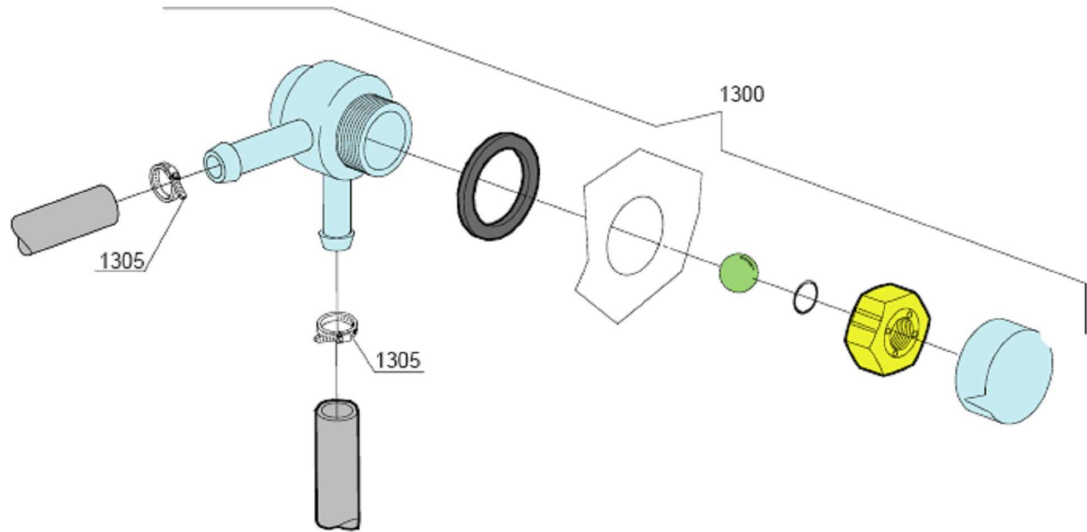


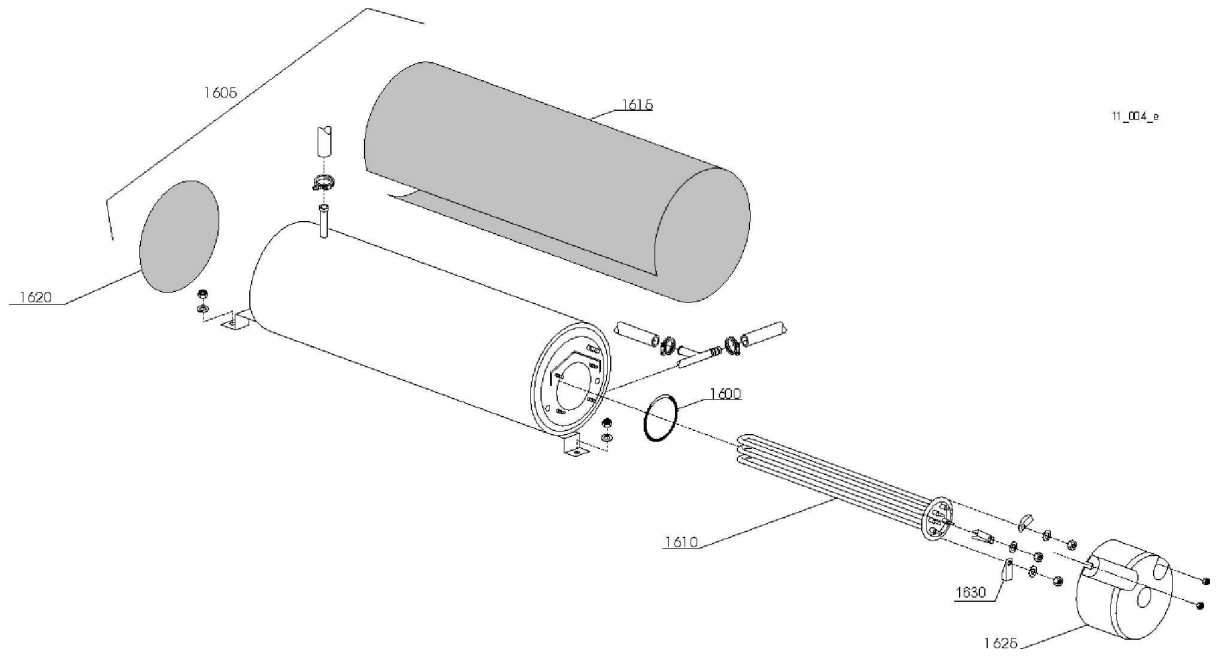




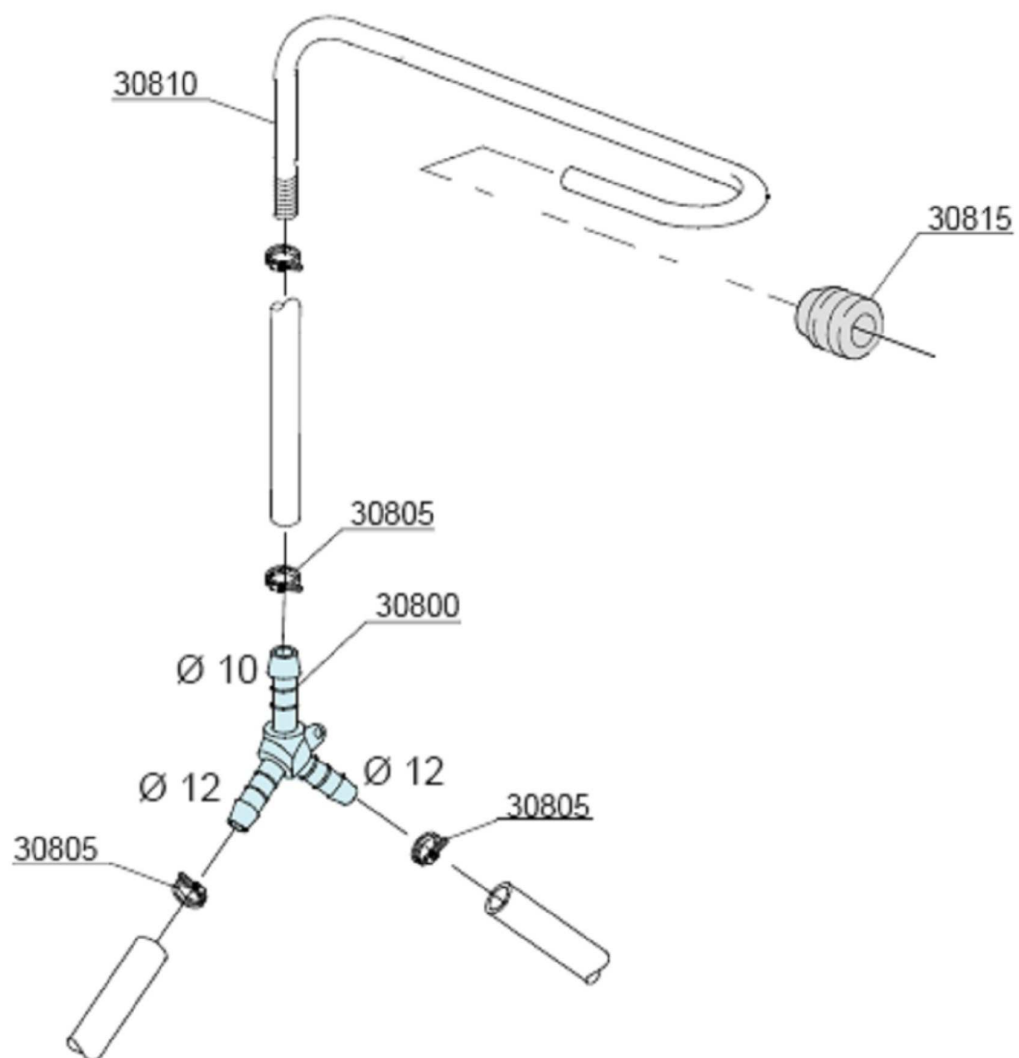


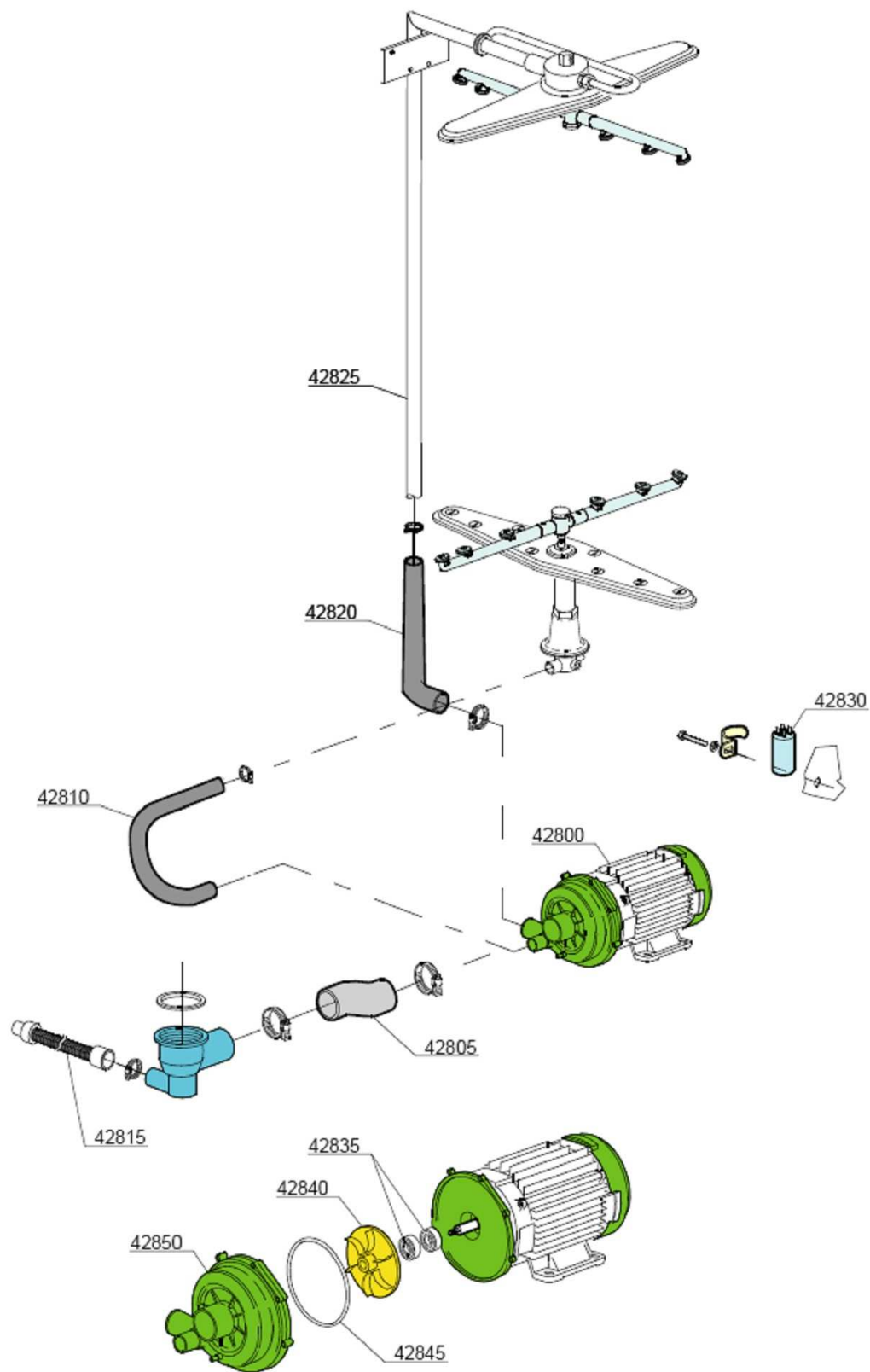


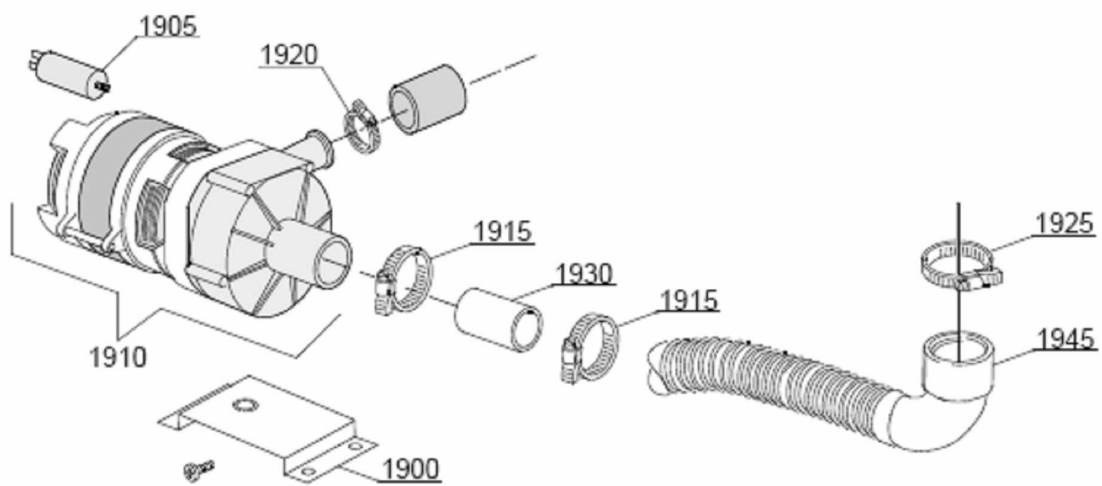


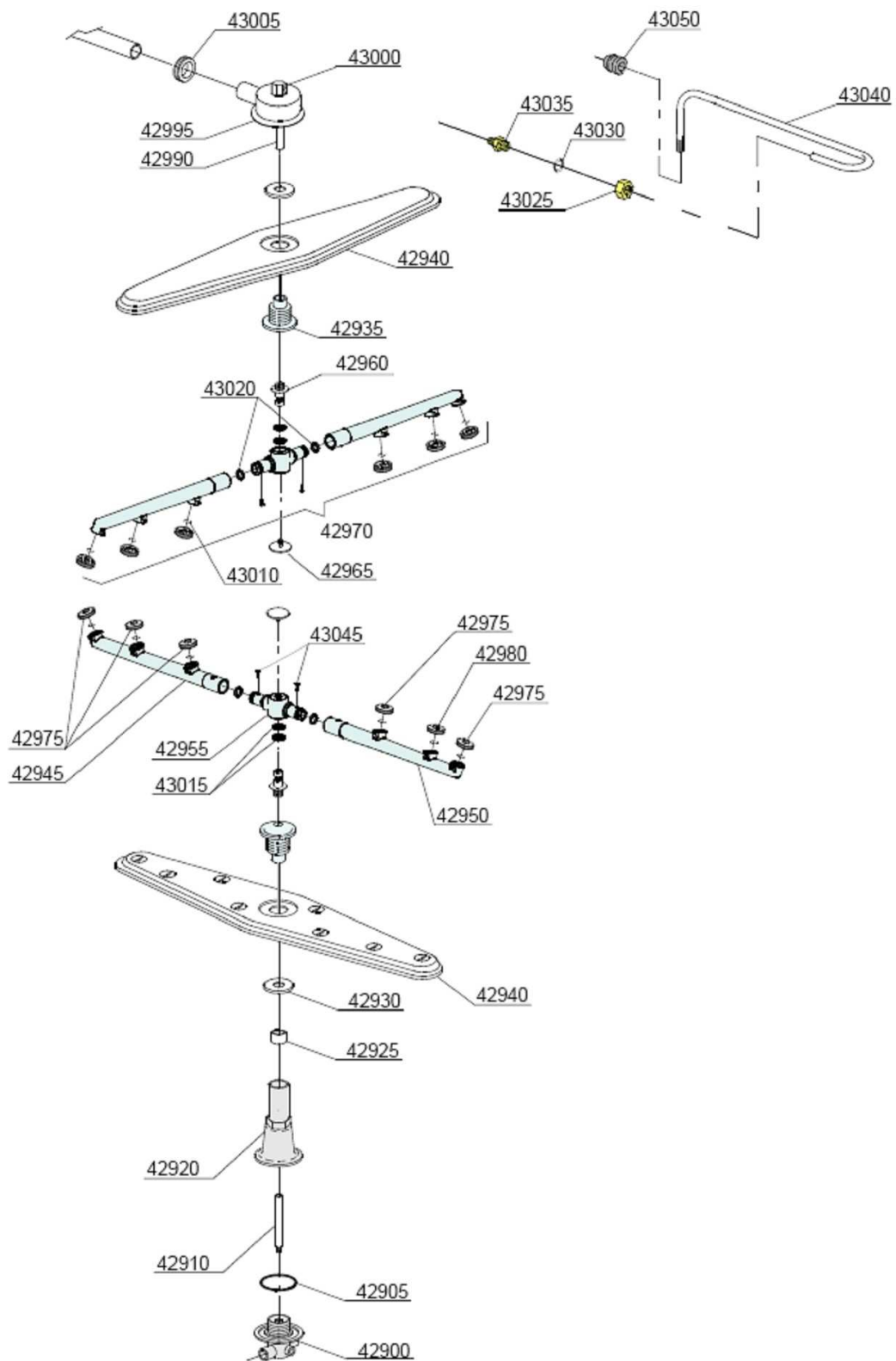


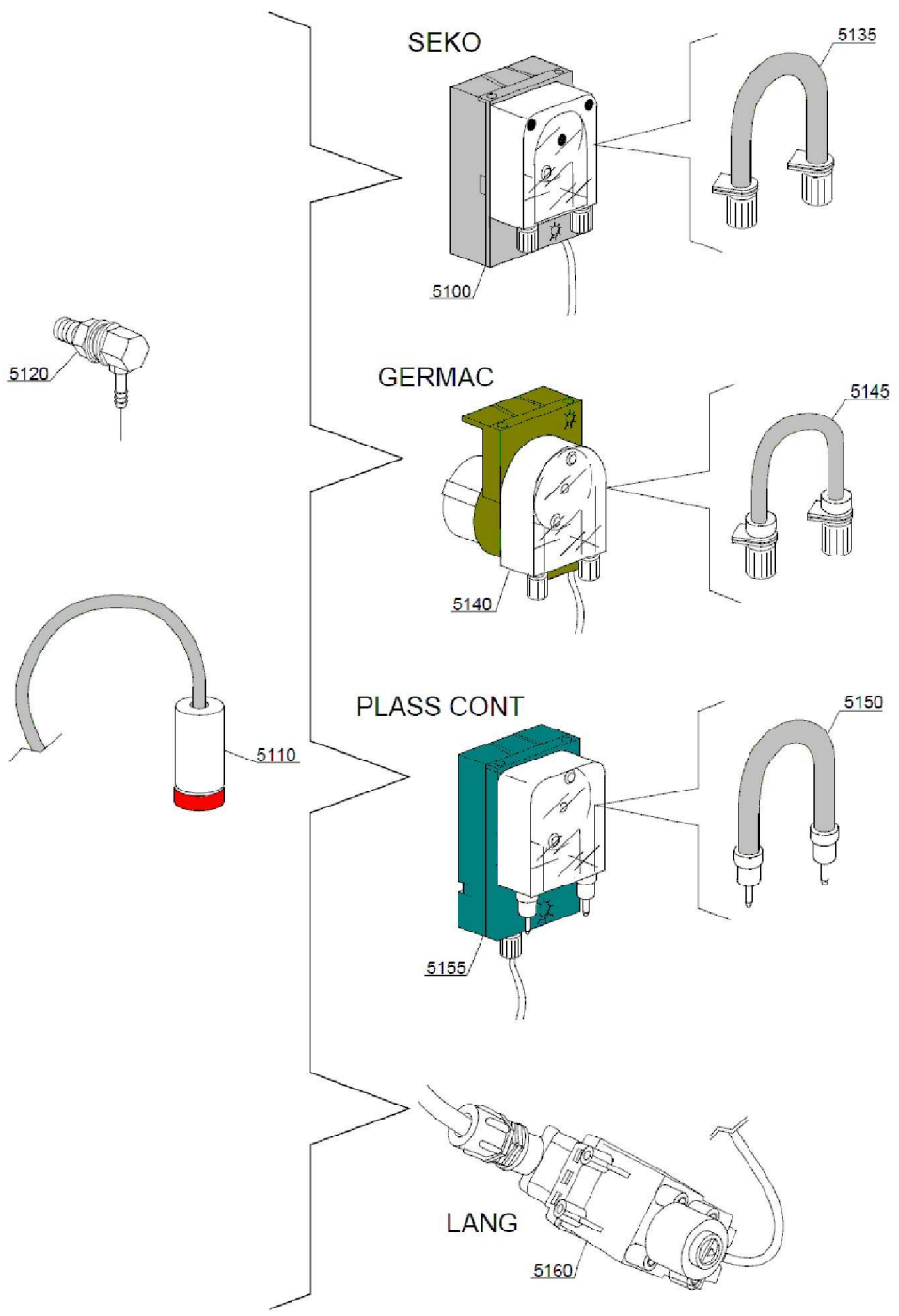
11_004_e

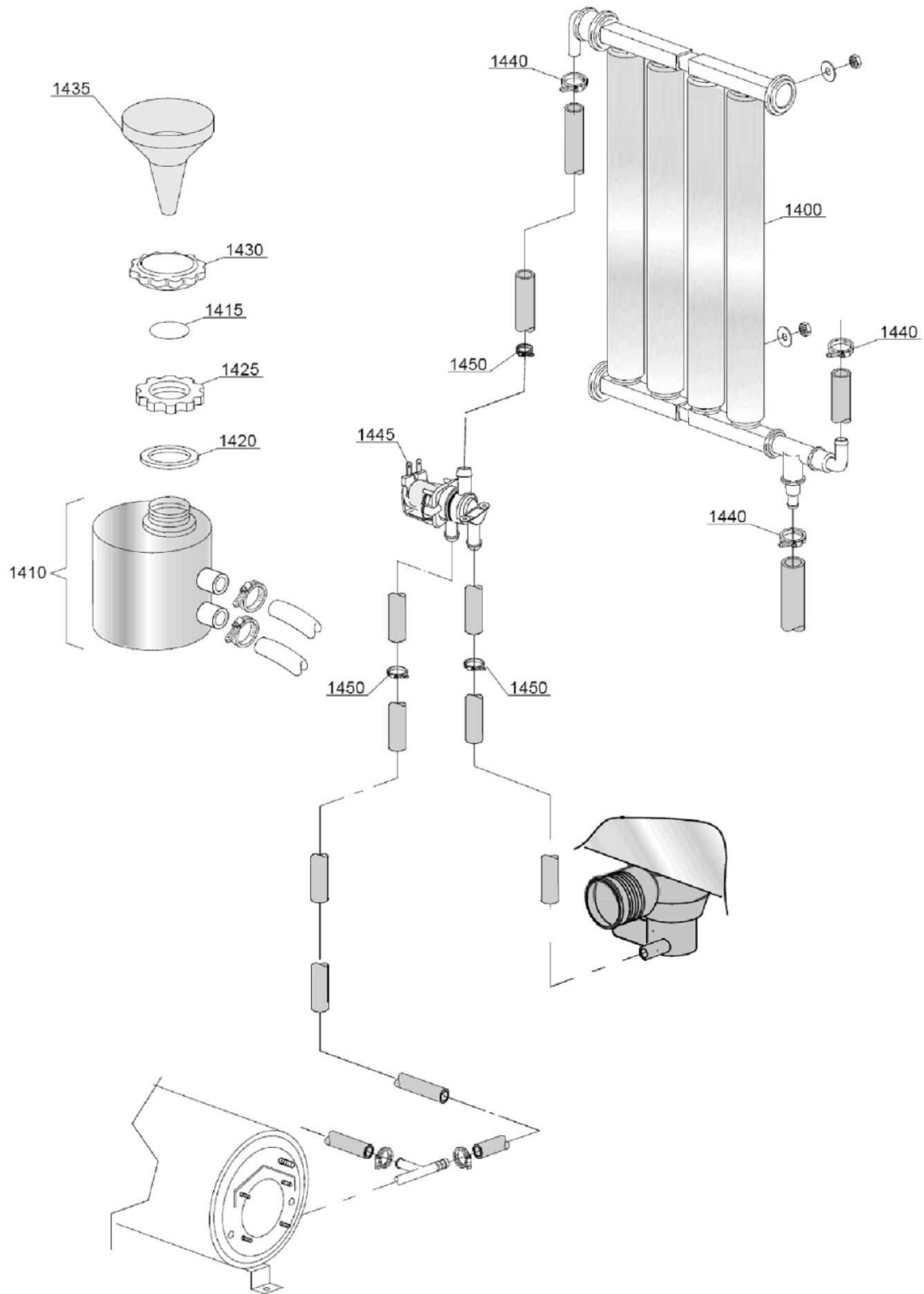












Page	Pos	Code	Description	Info
002	42490	3103800	Right/left pilot bush	01/11/2009-
002	42495	36U0830	Basket support	01/11/2009-
002	42500	3242120	Left standard	01/11/2009-
002	42505	KN11PSDD-Pos.42505	O46 mm fairlead	01/11/2009-
002	42510	32D1850	Cable-fastener with screw	01/11/2009-
002	42515	36E4180	Foot	01/11/2009-
002	42520	33M1810	Right side scrap tray	01/11/2009-
002	42525	32G3360	HEATING 2,7 Kw	01/11/2009-
002	42530	KN11PSDD-Pos.42530	Base assembly	01/11/2009-
002	42535	36H1490	Basket-holder support	01/11/2009-
002	42540	30Q3230	pin FILTER	01/11/2009-
002	42545	3242130	Right standard	01/11/2009-
002	42555	32W4130	Limit stop push button	01/11/2009-
002	42560	KN11PSDD-Pos.42560	Back panel	01/11/2009-
002	42565	3022060	BASKET SIDE	01/11/2009-
002	42570	3021640	Ferrule with filter	01/11/2009-
002	42575	30Q3250	Suction filter	01/11/2009-
002	42580	37Q5140	DEM 40 gasket	01/11/2009-
002	42585	33D3360	Overflow pipe	01/11/2009-
002	42590	37Q5100	95x75x3 gasket	01/11/2009-
002	42595	3196980	Sleeper holder-filter	01/11/2009-
002	42598	3191910	Spring	01/11/2009-
002	42599	3218310	Support for the security system	01/11/2009-
002	42600	3218320	assembly Securty system cord	01/11/2009-
002	42601	KN11PSDD-Pos.42601	Passage ring for the security cord	01/11/2009-
003	800	33D3280	Modification Single solenoid valve	01/07/2003-
003	820	KN11PSDD-Pos.820	Pression reducing valve	01/07/2003-
004	4800	3023040	Tecnopro dosing valve	01/07/2003-
004	4805	3024680	O22 gasket	01/07/2003-
004	4810	3206600	Membrane	01/07/2003-
004	4820	33D3240	3 out shining product dosing d	01/07/2003-
004	4830	36H1500	Counter-weight	01/07/2003-
004	4840	30Q3210	Small filter	01/07/2003-
004	4850	3187520	Flexible-pipe holder	01/07/2003-
005	810	33D3250	Double solenoid valve - O10	01/10/2003-
005	815	KN11PSDD-Pos.815	Green pression solenoid valve	01/10/2003-
005	820	KN11PSDD-Pos.820	Pression reducing valve	01/10/2003-
005	825	33A2090	Red pression reducing valve	01/10/2003-
005	830	3140230	12/20 PIPE CLAMP	01/10/2003-
005	835	KN11PSDD-Pos.835	3/4 gasket	01/10/2003-
006	2100	32V7060	47-27 pressure switch	01/09/2005-
006	2105	33D3310	Air trap assembly	01/09/2005-
006	2110	37Q5130	Gasket	01/09/2005-
006	2115	33Q6470	M8 stainless steel nut	01/09/2005-
006	2120	3036160	4,5X9 EPDM rubber pipe	01/09/2005-
007	42600	KN11PSDD-Pos.42600	Hood, complete	01/10/2011-
007	42605	3045440	Lower door panel	01/10/2011-
007	42610	3028970		01/10/2011-
007	42620	3222640	Handle	01/10/2011-
007	42625	3229130	Spoiler	01/10/2011-
007	42630	33Q6660	Spring hook joint	01/10/2011-

Page	Pos	Code	Description	Info
007	42635	36F0520	Wheel for basket	01/10/2011-
007	42640	36H1470	Back spring	01/10/2011-
007	42645	30T7480	Tie rod screw with hook	01/10/2011-
007	42650	33Q6460	M8 stainless steel self- lockin	01/10/2011-
007	42655	31Z0230	lockin WASHER	01/10/2011-
007	42656	KN11PSDD-Pos.42656	Groove for hood	01/10/2011-
007	42660	33Q6430	Capote movement cam	01/10/2011-
007	42665	KN11PSDD-Pos.42665	Inox screw M8x25 Uni 5731	01/10/2011-
007	42680	KN11PSDD-Pos.42680	"S" Hook D6x65	01/10/2011-
008	18700	3AA5120	Control panel (with 2 thermometers)	01/11/2009-
008	18720	KN11PSDD-Pos.18720	Green push button	01/11/2009-
008	18725	32W4260	Green ON-OFF key	01/11/2009-
008	18735	36U0860	Square grey single support	01/11/2009-
008	18755	32W4150	16A SWITCH ONLY	01/11/2009-
008	18760	32W4140	16A bipolar switch	01/11/2009-
008	18765	32V7230	Thermometer	01/11/2009-
008	18770	36U0850	Pilot light support	01/11/2009-
008	18775	32W4220	Pilot light	01/11/2009-
008	18780	33Q6440	Green-orange cam	01/11/2009-
008	18790	3025580	Green square cycle gem	01/11/2009-
009	42700	KN11PSDD-Pos.42700	Electric component panel	01/11/2009-
009	42705	32D1860	6 poles terminal board	01/11/2009-
009	42710	32V7260	SAFETY THERMOSTAT	01/11/2009-
009	42715	32V7240	0-90°C thermostat	01/11/2009-
009	42720	3102230	25A/16A contactor - 230V 50/60HZ	01/11/2009-
009	42720	32V7200	25A/12A remote control switch	01/11/2009-
009	42720	32V7210	36A/20A contactor - 230V 50/60	01/11/2009-
009	42725	32V7170	Remote control switch 230V 50/	01/11/2009-
009	42745	32D1850	Cable-fastener with screw	01/11/2009-
009	42750	32V7020	Low noise filter	01/11/2009-
009	42755	3026660	ELECTRONICTIMER	01/11/2009-
009	42760	3099140	160Va transformer	01/11/2009-
010	1300	33D2100	SAFETY VALVE	01/11/2009-
010	1305	KN11PSDD-Pos.1305	12/22 clamp	01/11/2009-
011	1600	37Q5260	6225 OR 160 NBR gasket	01/11/2009-
011	1605	34A2560	Boiler + insulating boiler	01/11/2009-
011	1610	3037760	6KW heating element	01/11/2009-
011	1615	3216940	Boiler insulating	01/11/2009-
011	1620	3216950	Ø160 bottom	01/11/2009-
011	1625	35E8870	Heating element guard	01/11/2009-
011	1630	3113780	HEATING ELEMENT SUPPORT	01/11/2009-
012	30800	KN11PSDD-Pos.30800	Ø12-12-10 plastic 3 ways connection	01/11/2009-
012	30805	KN11PSDD-Pos.30805	12/22 clamp	01/11/2009-
012	30810	3111610	Rinse ramp	01/11/2009-
012	30815	37Q5170	Pipe-pass gasket	01/11/2009-
013	42800	32M6990	WASHING PUMP	01/11/2009-
013	42805	33M1700	Suction pipe coupling	01/11/2009-
013	42810	33M1830	Lower delivery wash pipe	01/11/2009-
013	42815	33M1660	Drain pipe	01/11/2009-
013	42820	3069610	Top delivery pipe	01/11/2009-
013	42825	3089070	Wash ramp	01/11/2009-

Page	Pos	Code	Description	Info
013	42830	32V6990	Condenser 16 uF	01/11/2009-
013	42835	3033900	Rotating seals	01/11/2009-
013	42840	3020390	Pump rotor	01/11/2009-
013	42845	3020400	OR gasket	01/11/2009-
013	42850	3020380	Scroll	01/11/2009-
014	1900	3027960	Pump support	01/11/2009-
014	1905	32V7010	5 uF condenser	01/11/2009-
014	1910	3019090	DRAIN PUMP	01/11/2009-
014	1910	3185410	Drain pump 80W 220V	01/11/2009-
014	1915	3223050	60Hz 25/40 clamp	01/11/2009-
014	1920	KN11PSDD-Pos.1920	20/32 clamp	01/11/2009-
014	1925	3223050	25/40 clamp	01/11/2009-
014	1930	3027970	Drain coude/pump connection pipe	01/11/2009-
014	1945	3068590		01/11/2009-
015	42900	33Q6680	Top/lower turret	01/11/2009-
015	42905	37Q5260	6225 OR 160 NBR gasket	01/11/2009-
015	42910	3237110	Rinse axle	01/11/2009-
015	42920	3023060	Lower pipe coupling	01/11/2009-
015	42925	36E4140	Spacer for hub	01/11/2009-
015	42930	33Q6490	Nut for hub	01/11/2009-
015	42935	33Q6600	Hub for rotor	01/11/2009-
015	42940	36H1400	Stainless steel wash rotor	01/11/2009-
015	42945	3176000	Right rinse pipe	01/11/2009-
015	42950	3176010	Left rinse pipe	01/11/2009-
015	42955	3175070	Rinse rotor	01/11/2009-
015	42960	3036720	Rinse axle	01/11/2009-
015	42965	3036730	Rinse screw	01/11/2009-
015	42970	3028930	Top/lower rinse group	01/11/2009-
015	42975	3035840	OPENED HEAD RINSE NOZZLE	01/11/2009-
015	42980	3040290	CLOSED HEAD RINSE NOZZLE	01/11/2009-
015	42990	33Q6420	Top rinse axle extension	01/11/2009-
015	42995	33Q6690	Stainless steel turret	01/11/2009-
015	43000	33Q6570	Rinse elbow	01/11/2009-
015	43005	3081380	Pipe-pass gasket 51X34X14	01/11/2009-
015	43010	3035830	OR R6 NBR gasket	01/11/2009-
015	43015	3176020	GASKET	01/11/2009-
015	43020	3035830	OR R6 NBR gasket	01/11/2009-
015	43025	33Q6500	O10 pipe fitting 3/8x3,5 nut 19	01/11/2009-
015	43030	37Q5210	hexagonal OR 112 NBR gasket	01/11/2009-
015	43035	33Q6620	O10 rinse pipe fitting	01/11/2009-
015	43040	3111610	Rinse ramp	01/11/2009-
015	43045	KN11PSDD-Pos.43045	4x10 TCB O8 spax toothed screw	01/11/2009-
015	43050	37Q5170	Pipe-pass gasket	01/11/2009-
016	5100	3040280	DETERGENT AID PUMP SEKO/GERMAC/PLAS	01/09/2012-
016	5110	30Q3210	CONT Small filter	01/09/2012-
016	5120	3226270	JET	01/09/2012-
016	5135	3182520	PIPE SEKO	01/09/2012-
016	5140	3040280	DETERGENT AID PUMP SEKO/GERMAC/PLAS X CONT	01/09/2012-
016	5145	3182530	Ø8 Germac thermoplastic pipe	01/09/2012-
016	5150	KN11PSDD-Pos.5150	Ø10 PLAS CONT thermoplastic pipe	01/09/2012-

Page	Pos	Code	Description	Info
016	5155	3040280	DETERGENT AID PUMP SEKO/GERMAC/PLAS	01/09/2012-
016	5160	KN11PSDD-Pos.5160	CONT LANG detergent pump	01/09/2012-
017	1400	KN11PSDD-Pos.1400	4 elements Water softner	01/09/2012-
017	1410	KN11PSDD-Pos.1410	Salt container	01/09/2012-
017	1415	KN11PSDD-Pos.1415	OR O ring	01/09/2012-
017	1420	3245320		01/09/2012-
017	1425	KN11PSDD-Pos.1425	Ring nut	01/09/2012-
017	1430	3245330		01/09/2012-
017	1435	KN11PSDD-Pos.1435	Funnel	01/09/2012-
017	1440	KN11PSDD-Pos.1440	12/22 clamp	01/09/2012-
017	1445	KN11PSDD-Pos.1445	220/240V-50/60Hz single solenoid valve	01/09/2012-
017	1450	KN11PSDD-Pos.1450	8/16 clamp	01/09/2012-