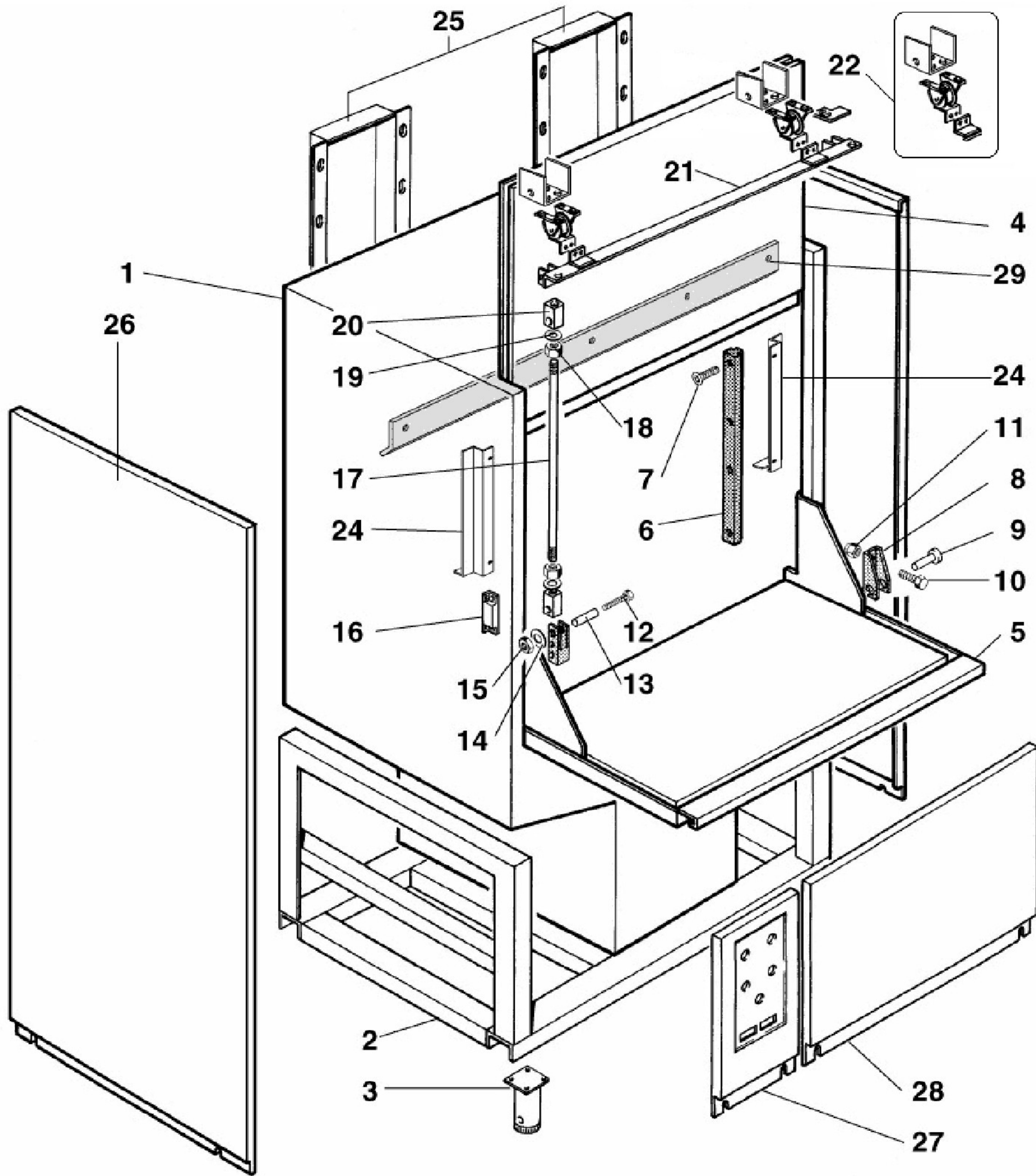
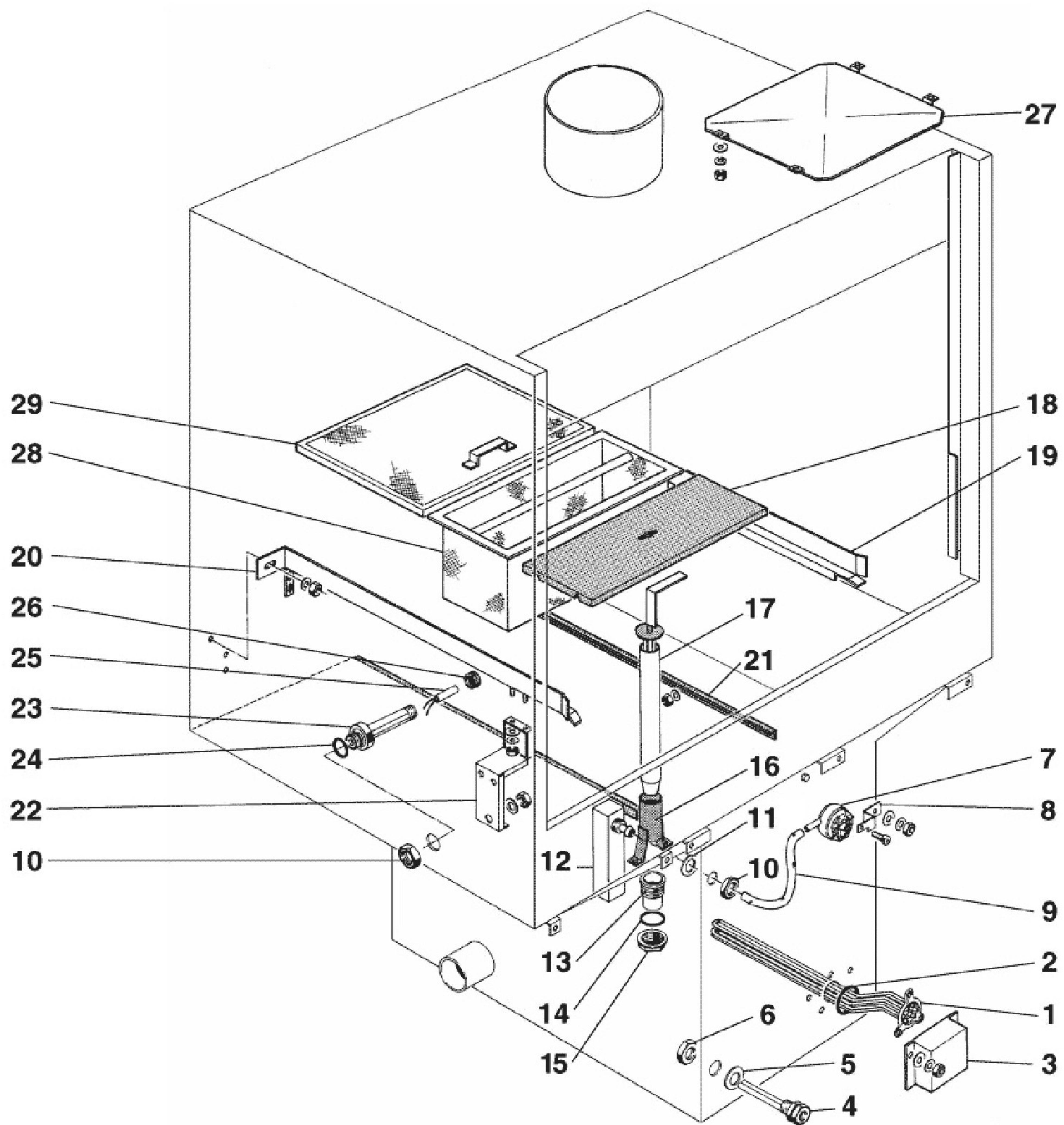




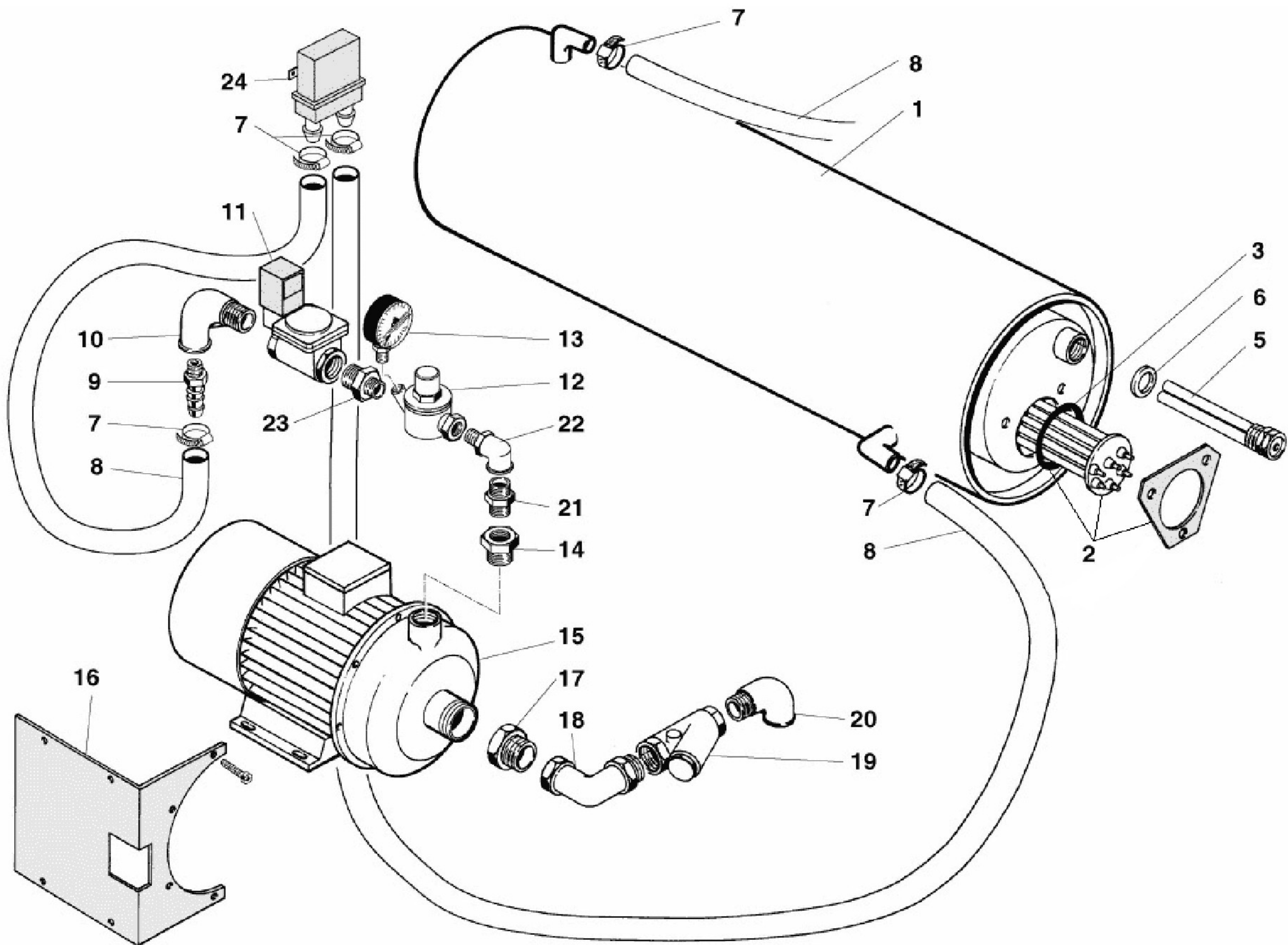
**LP124**

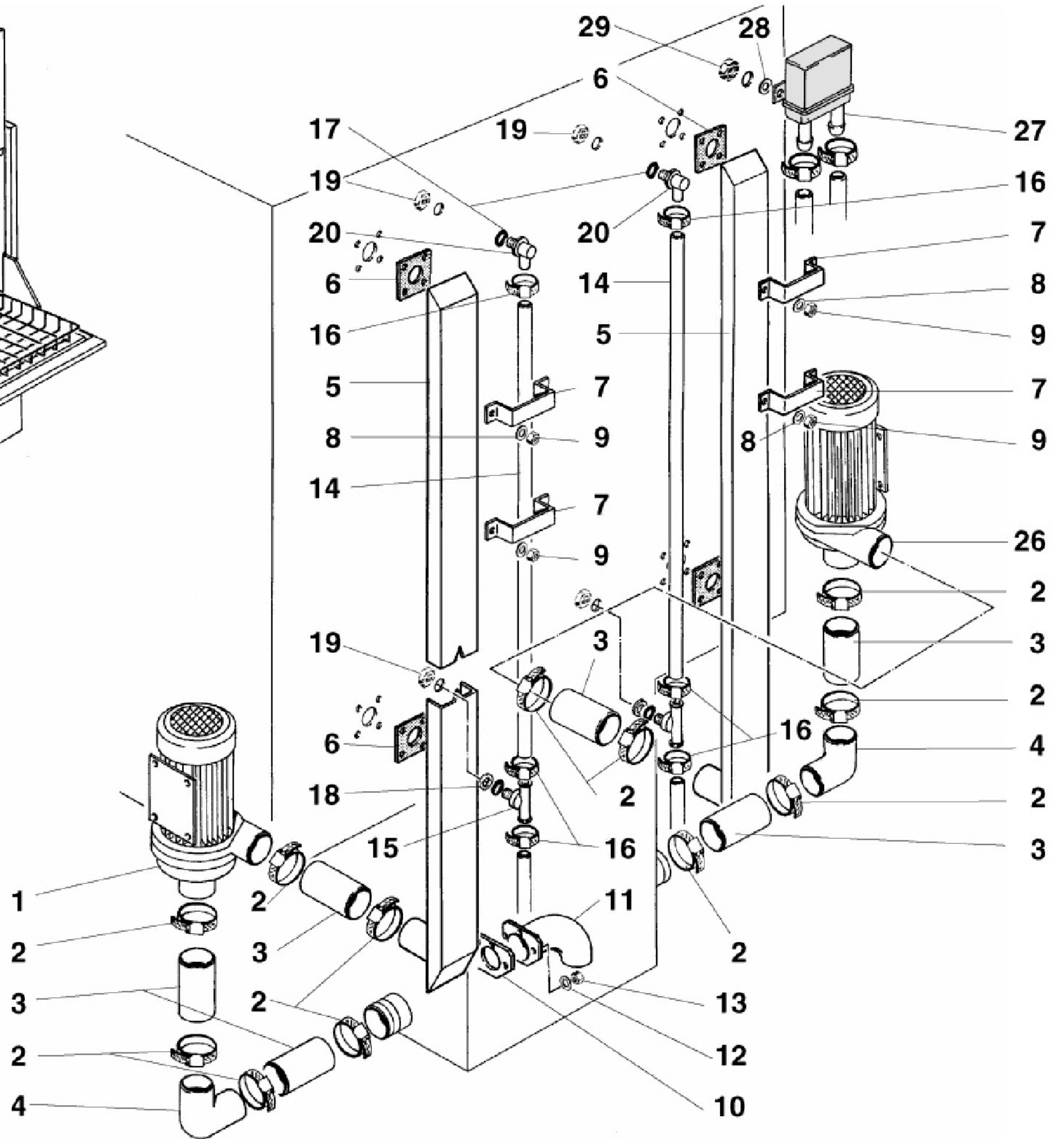
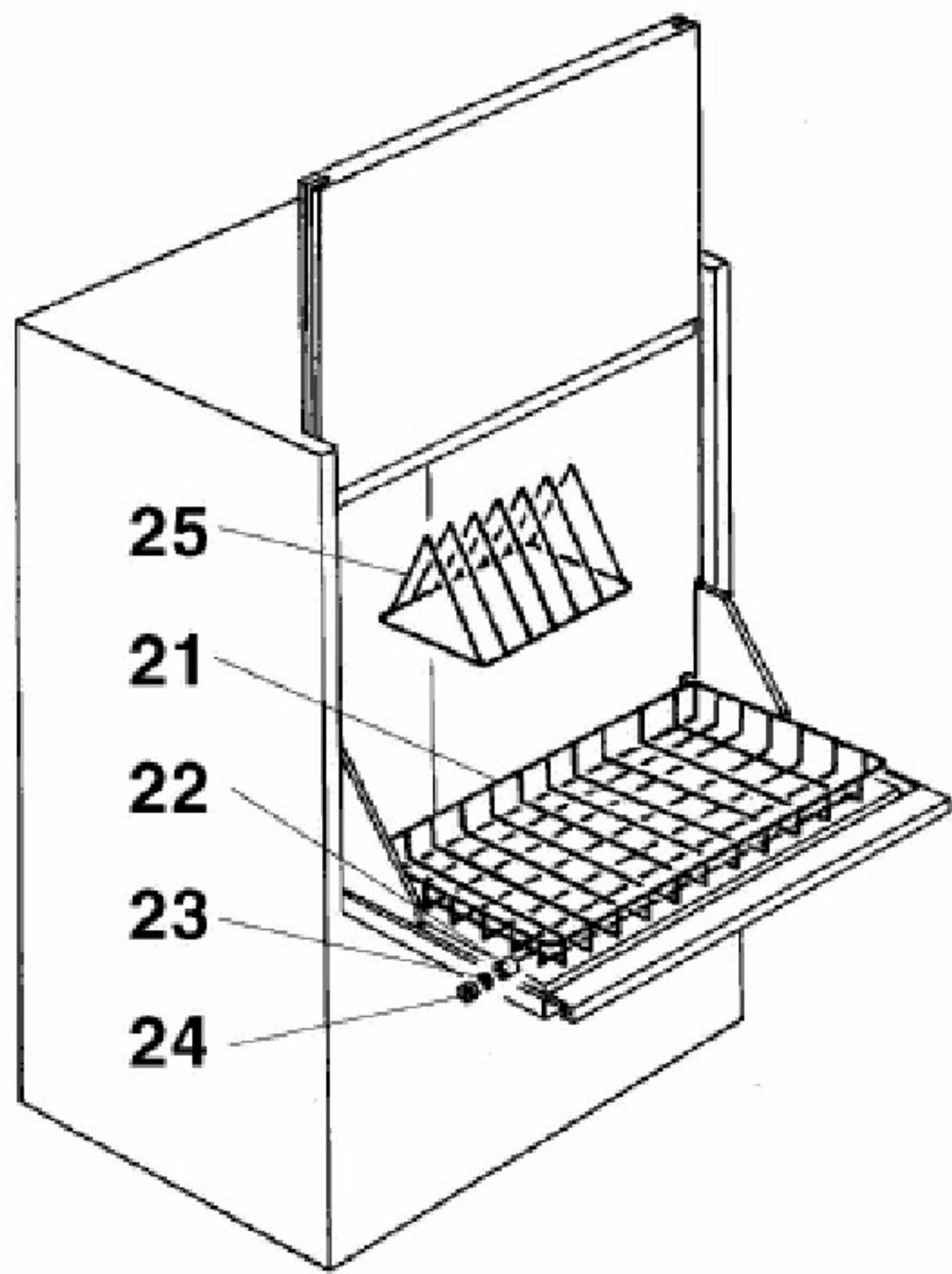
**Edition 20020101-20060430**



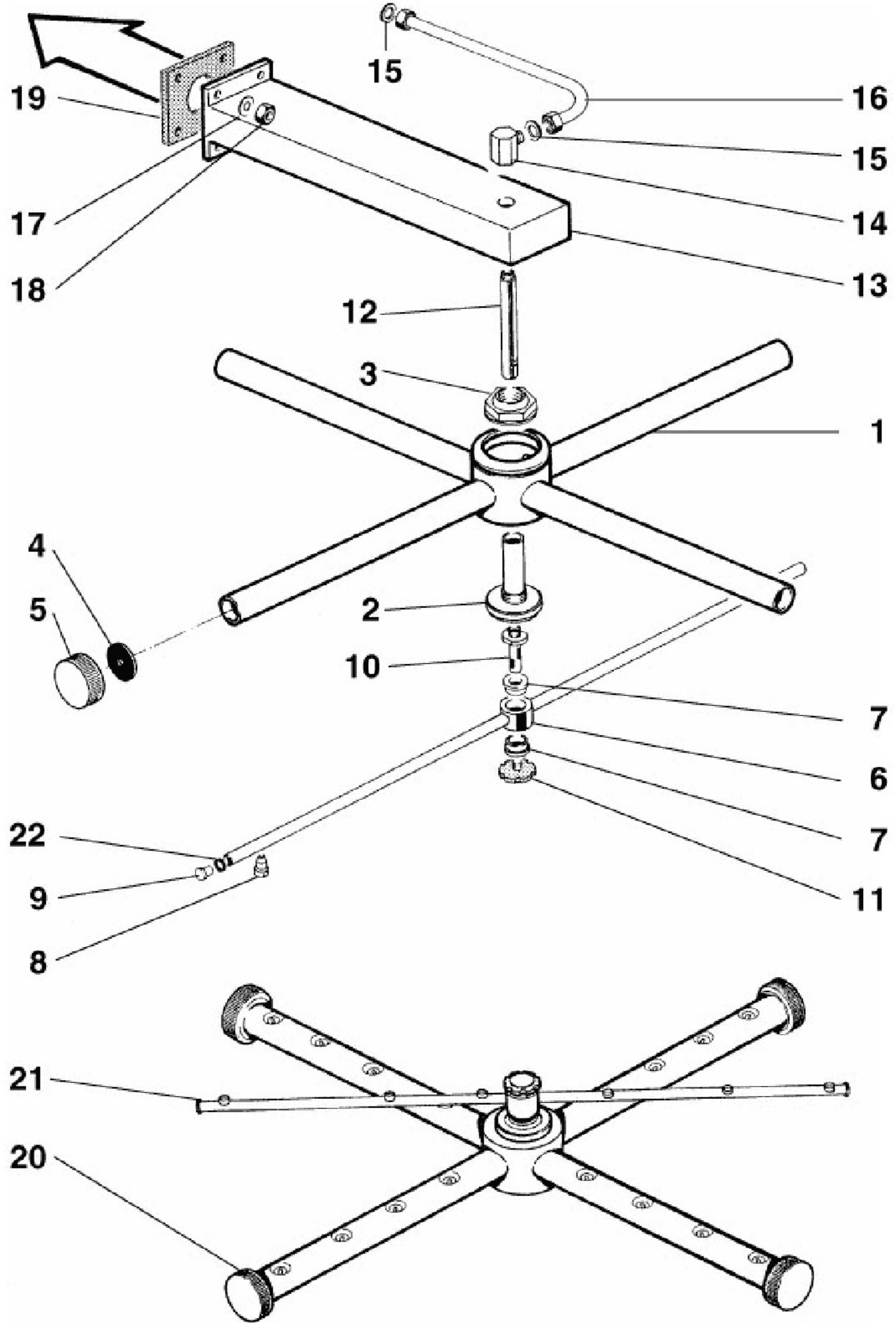


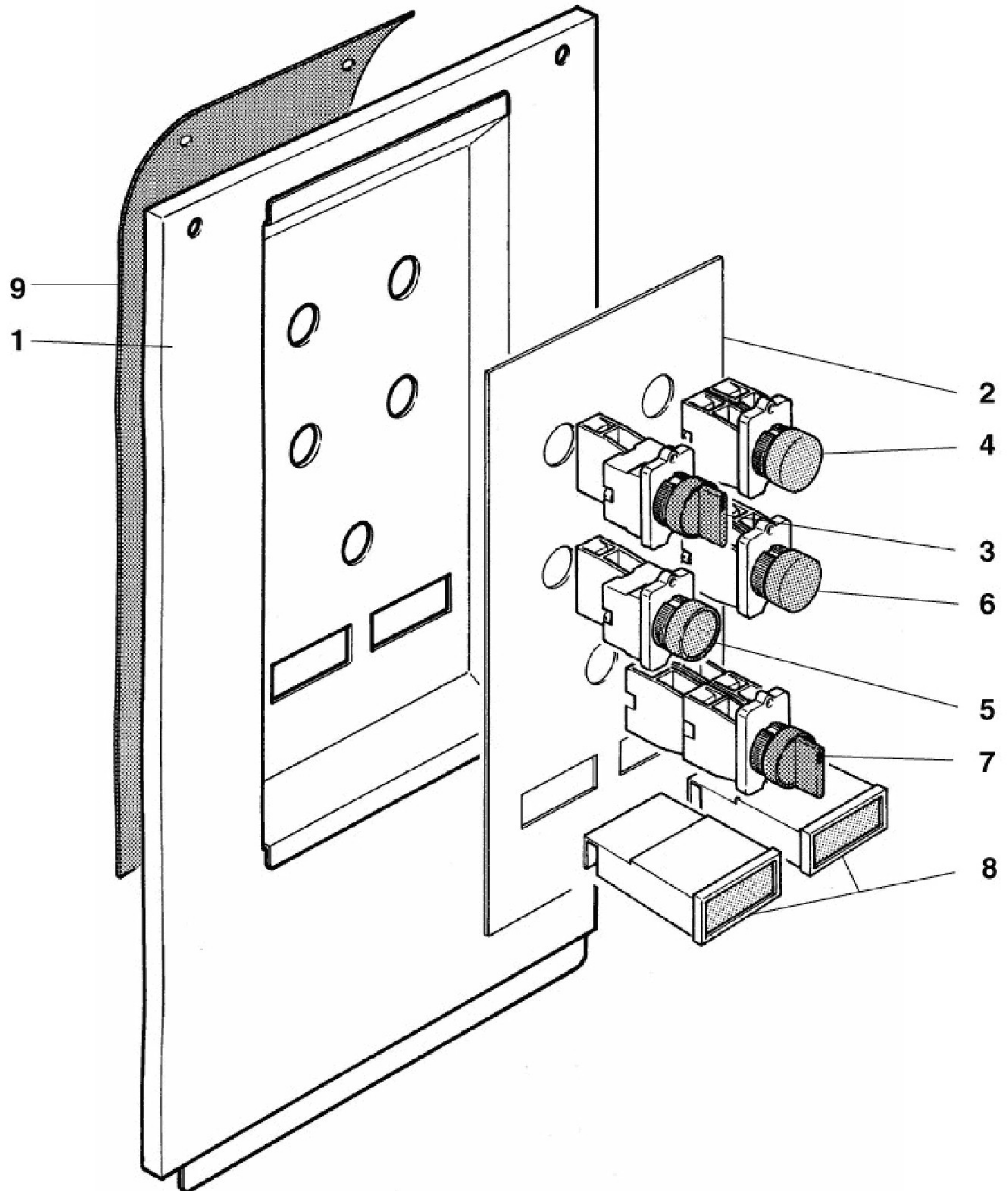




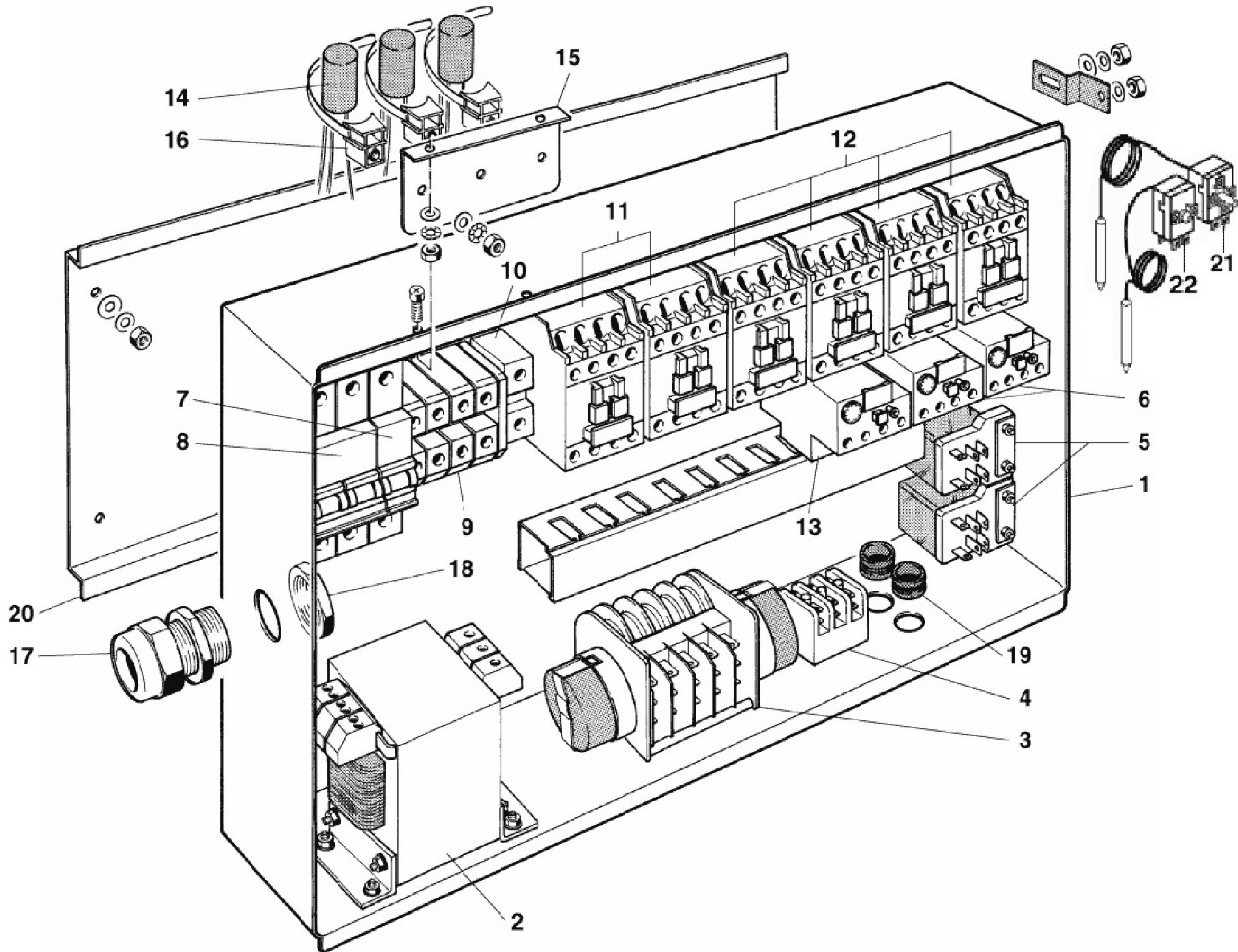














Page	Pos	Code	Description	Info
002	001	LP124-Pos.001	TANK	01/11/1999-
002	002	LP124-Pos.002	FRAME	01/11/1999-
002	003	36T0090	FOOT	01/11/1999-
002	004	LP124-Pos.004	UPPER DOOR	01/11/1999-
002	005	3071440	LOWER DOOR	01/11/1999-
002	006	30T3290	DOOR GUIDE	01/11/1999-
002	007	LP124-Pos.007	SCREW	01/11/1999-
002	008	36M5660	DOOR SUPPORT	01/11/1999-
002	009	36G8420	DOOR PIN	01/11/1999-
002	010	LP124-Pos.010	SCREW M6X16	01/11/1999-
002	011	LP124-Pos.011	NUT	01/11/1999-
002	012	31A9750	STEEL SCREW M8X40	01/11/1999-
002	013	3204420	PIPE	01/11/1999-
002	014	LP124-Pos.014	WASHER	01/11/1999-
002	015	LP124-Pos.015	NUT	01/11/1999-
002	016	32W0870	MAGNET	01/11/1999-
002	017	36M5670	SCREW STAY	01/11/1999-
002	018	3117620	STEEL NUT M10X8	01/11/1999-
002	020	33Q3680	FIXING BLOCK	01/11/1999-
002	021	3018500	SPRING SUPPORT	01/11/1999-
002	022	36G8430	SPRING	01/11/1999-
002	024	3071430	DOOR STIFFENER	01/11/1999-
002	025	LP124-Pos.025	BACK CASING	01/11/1999-
002	026	LP124-Pos.026	SIDE PANEL	01/11/1999-
002	027	LP124-Pos.027	CONTROL PANEL	01/11/1999-
002	028	LP124-Pos.028	ANTERIOR PANEL	01/11/1999-
002	029	LP124-Pos.029	SPRAY GUARD	01/11/1999-
003	001	32G2170	HEATING ELEMENT 8000W	01/11/1999-
003	002	3152160	OR RING	01/11/1999-
003	003	3182850	HEATING COVER	01/11/1999-
003	004	30Q1070	BULB HOLDER	01/11/1999-
003	005	37Q2840	GASKET	01/11/1999-
003	006	33Q3690	RING NUT	01/11/1999-
003	007	32V0520	PRESSURE SWITCH 70/197	01/11/1999-
003	008	LP124-Pos.008	PRESSURE SWITCH SUPP.	01/11/1999-
003	009	3190430	PRESSURE SWITCH PIPE	01/11/1999-
003	010	33Q2190	RING NUT	01/11/1999-
003	011	3151890	GASKET	01/11/1999-
003	012	33M0860	AIR TRAP	01/11/1999-
003	013	33Q2290	"DRAIN CONNECTION 1""1/4"	01/11/1999-
003	014	3151930	O-RING	01/11/1999-
003	015	33Q2160	RING NUT	01/11/1999-
003	016	3021550	OVER FLOW GUIDE	01/11/1999-
003	017	33D2080	OVER FLOW	01/11/1999-
003	018	LP124-Pos.018	OVER FLOW GUIDE SUPP.	01/11/1999-
003	019	LP124-Pos.019	RIGHT BASKETGUIDE	01/11/1999-
003	020	LP124-Pos.020	LEFT BASKET GUIDE	01/11/1999-
003	021	LP124-Pos.021	RIGHT FILTER GUIDE	01/11/1999-
003	021	LP124-Pos.021	LEFT FILTER GUIDE	01/11/1999-
003	022	36C4650	BASKET GUIDE SUPPORT	01/11/1999-
003	023	32V2680	MICROSWITCH HOLDER	01/11/1999-

Page	Pos	Code	Description	Info
003	024	3152170	O-RING	01/11/1999-
003	025	3228650	MAGNETIC REED	01/11/1999-
003	026	36Q1650	PLUG	01/11/1999-
003	027	LP124-Pos.027	SPRAY GUARD	01/11/1999-
003	028	30Q1210	TANK SCREEN	01/11/1999-
003	029	LP124-Pos.029	STRAINER	01/11/1999-
004	001	34A2350	BOILER	01/11/1999-
004	002	32G2840	HEATING ELEMENT	01/11/1999-
004	003	3204620	OR GASKET	01/11/1999-
004	005	30Q1070	BULB HOLDER	01/11/1999-
004	006	37Q2840	GASKET	01/11/1999-
004	007	LP124-Pos.007	CLAMP	01/11/1999-
004	008	32M1210	MOTOR PUMP	01/11/1999-
004	009	LP124-Pos.009	HOSE BARB	01/11/1999-
004	010	3219050	ELBOW	01/11/1999-
004	011	33D1050	"SOLENOID VALVE 3/4""	01/11/1999-
004	012	33D3220	"PRESSURE REDUCER 1/2""	01/11/1999-
004	013	33D2090	PRESSURE GANGE 0- 4BAR Ø50 - 1	01/11/1999-
004	014	3213830	REDUCTION 1"-1/2"	01/11/1999-
004	015	32M5300	PUMP	01/11/1999-
004	016	3064150	PUMP SUPPORT	01/11/1999-
004	017	3088690	REDUCTION 1" 1/4-1"	01/11/1999-
004	018	3088660	UNION ELL 1"	01/11/1999-
004	019	3088670	"FILTER 1""	01/11/1999-
004	020	3088680	ELL	01/11/1999-
004	021	3071310	"NIPPLE 1/2""	01/11/1999-
004	022	3213840	UNION ELL 1/2"	01/11/1999-
004	023	3071290	"NIPPLE 3/4""-1/2""	01/11/1999-
004	024	33D2330	NON-RETURN VALVE +	01/01/2002-31/08/2007
005	001	32M4830	PUMP	01/11/1999-
005	002	3022220	CLAMP	01/11/1999-
005	003	33M1420	JOINT PIPE	01/11/1999-
005	004	33Q4630	PIPE FITTING INOX	01/11/1999-
005	005	LP124-Pos.005	WASHING PIPE	01/11/1999-
005	006	3151900	GASKET	01/11/1999-
005	007	LP124-Pos.007	BLOCK BRACHET	01/11/1999-
005	008	LP124-Pos.008	WASHER	01/11/1999-
005	009	3245170	NUT	01/11/1999-
005	010	3107000	GASKET	01/11/1999-
005	011	33Q4290	ONTAKE PIPE FITTING	01/11/1999-
005	012	LP124-Pos.012	WASHER	01/11/1999-
005	013	3110050	STEEL NUT M8X6.5	01/11/1999-
005	014	33M1210	RUBBER PIPE	01/11/1999-
005	015	3086590	PIPE FITTING	01/11/1999-
005	016	LP124-Pos.016	CLAMP	01/11/1999-
005	017	3152170	O-RING	01/11/1999-
005	018	3233490	GASKET	01/11/1999-
005	019	33Q2190	RING NUT	01/11/1999-
005	020	3086600	PIPE FITTING	01/11/1999-
005	021	3074200	BASKET	01/11/1999-
005	022	36G8960	BASKET WHEEL	01/11/1999-16/09/2015



Page	Pos	Code	Description	Info
005	023	LP124-Pos.023	WASHER	01/11/1999-
005	024	LP124-Pos.024	NUT	01/11/1999-
005	025	36A2960	PLATE RACK	01/11/1999-
005	026	32M6090	PUMP	01/11/1999-
005	027	33D2330	NON-RETURN VALVE + NUT	01/11/1999-31/08/2007
005	028	3152190	GASKET	01/11/1999-
005	029	32D1140	LOCK NUT	01/11/1999-
006	001	36G9000	WASH ARM	01/11/1999-
006	002	33Q3700	HUB	01/11/1999-
006	003	36G8720	LOCK NUT	01/11/1999-
006	004	3152780	GASKET	01/01/2002-
006	005	36Q1930	PLUG INOX	01/01/2002-
006	006	36G8450	RINSE ARM	01/11/1999-
006	007	36G8460	SLEEVE	01/11/1999-
006	008	33T2930	NOZZLE	01/11/1999-
006	009	36C3870	"PLUG FOR ARM + RING ""OR"""	01/11/1999-
006	010	36G8470	PIN FOR RINSE ARM	01/11/1999-
006	011	33Q3710	RING NUT	01/11/1999-
006	012	36G9340	PIN FOR WASH ARM	01/11/1999-
006	013	3027890	WASHING ARM	01/11/1999-
006	014	33Q4570	PIPE FITTING	01/11/1999-
006	015	LP124-Pos.015	GASKET	01/11/1999-
006	016	3022770	RINSE PIPE	01/11/1999-
006	017	3123670	WASHER	01/11/1999-
006	018	3110050	STEEL NUT M8X6.5	01/11/1999-
006	019	3151900	GASKET	01/11/1999-
006	020	36G9010	COMPLETE WASH ARM	01/11/1999-
006	021	36G8490	IMPELLER ASS.Y	01/11/1999-
006	022	3152180	O RING	01/11/1999-
007	001	LP124-Pos.001	CONTROL PANEL	01/11/1999-
007	002	3023790	CONTROL PLATE	01/11/1999-
007	003	32Z8670	SWITCH	01/11/1999-
007	004	32W1700	YELLOW LIGHT	01/11/1999-
007	005	32W1970	CYCLE PUSH BUTTON	01/11/1999-
007	006	32W1720	GREEN LIGHT	01/11/1999-
007	007	32W1980	MAIN SWITCH 0-1-2	01/11/1999-
007	008	32Z8250	DIGITAL THERMOMETER	01/11/1999-
007	009	3023800	RUBBER COVER	01/11/1999-
008	001	LP124-Pos.001	CABINET	01/11/1999-
008	002	32Z8790	TRANSFORMER	01/11/1999-
008	003	3021670	TIMER	01/11/1999-
008	004	LP124-Pos.004	TERMINAL BOARD	01/11/1999-
008	005	32Z8640	RELAY	01/01/2002-
008	006	32Z8780	OVERLOAD RELAY 4- 6A	01/11/1999-
008	007	32Z9040	SWITCH	01/11/1999-
008	008	32Z9020	SWITCH	01/11/1999-
008	009	LP124-Pos.009	TERMINAL BOARD	01/11/1999-
008	010	3069840	TERMINAL BOARD	01/11/1999-
008	011	3004890	CONTACTOR	01/11/1999-
008	012	32V0560	CONTACTOR	01/11/1999-
008	013	32Z8740	OVERLOAD RELAY 1,25÷2A	01/11/1999-

<b>Page</b>	<b>Pos</b>	<b>Code</b>	<b>Description</b>	<b>Info</b>
008	014	32V5640	FILTER	01/11/1999-
008	015	LP124-Pos.015	FILTER SUPPORT	01/11/1999-
008	016	LP124-Pos.016	CLAMP	01/11/1999-
008	017	LP124-Pos.017	FIXING CABLE	01/11/1999-
008	018	32D1140	LOCK NUT	01/11/1999-
008	019	LP124-Pos.019	FAIRLEAD	01/11/1999-
008	020	LP124-Pos.020	CABINET TRACK	01/11/1999-
008	021	32Z8840	THERMOSTAT 30-90C	01/11/1999-
008	022	32Z8830	SAFETY THERMOSTAT	01/11/1999-