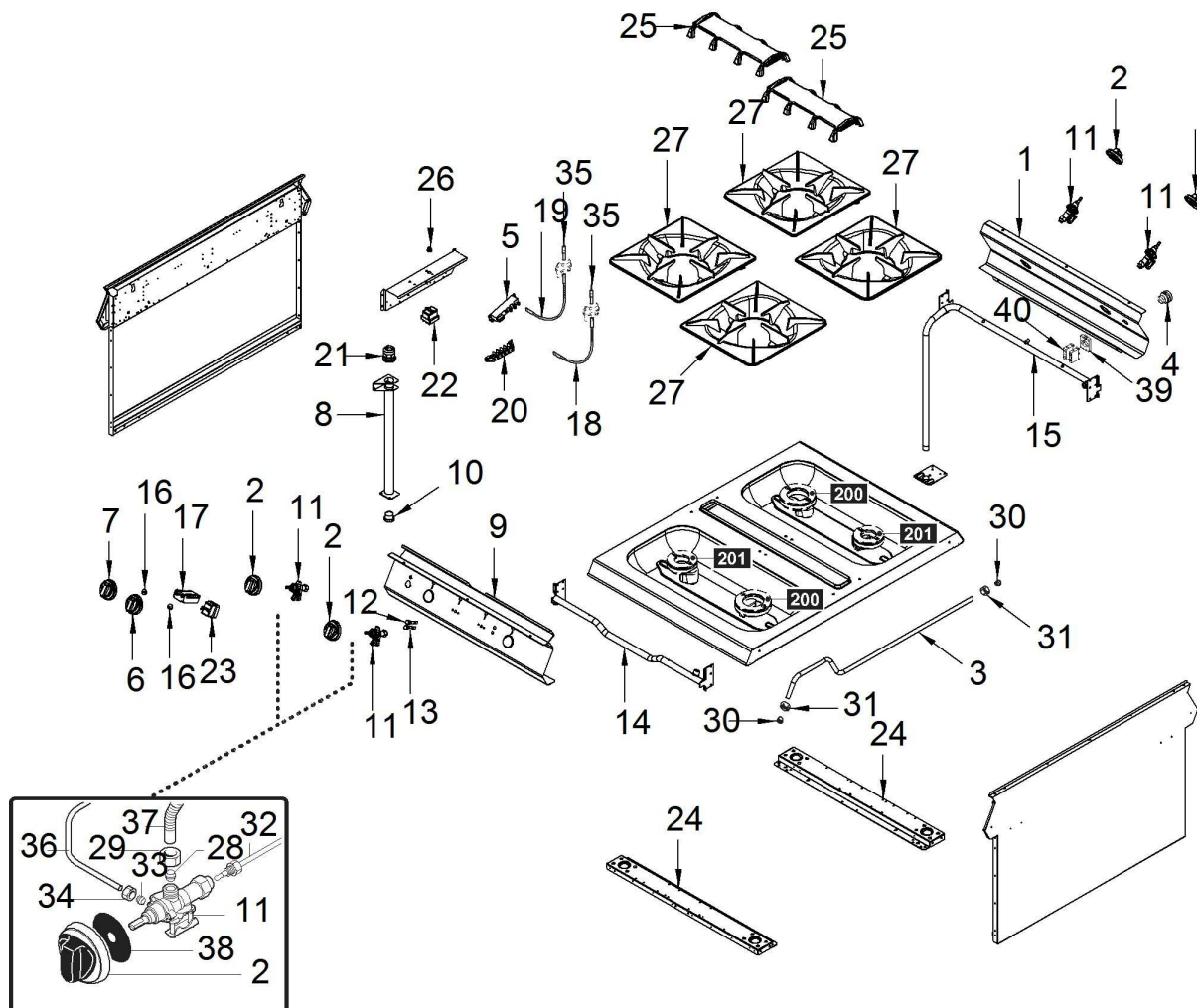
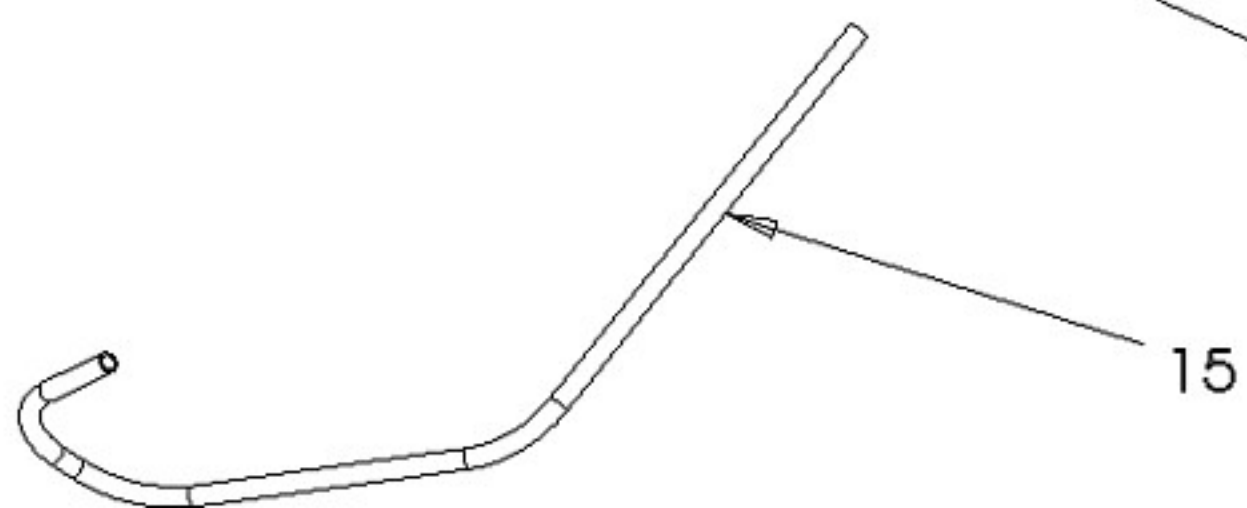
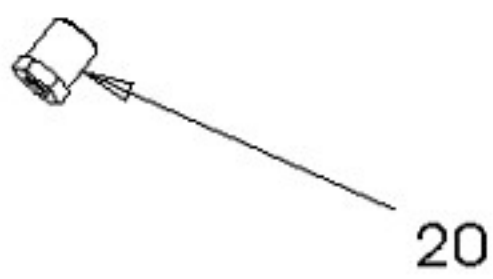
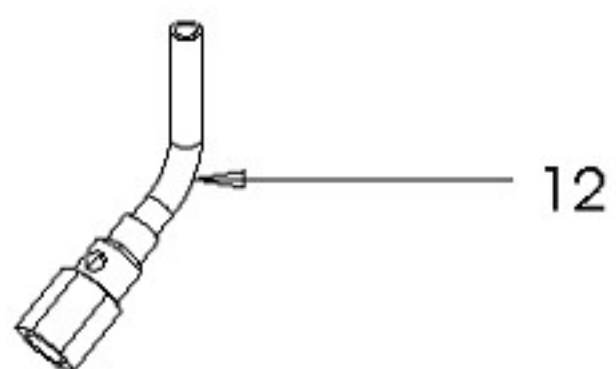
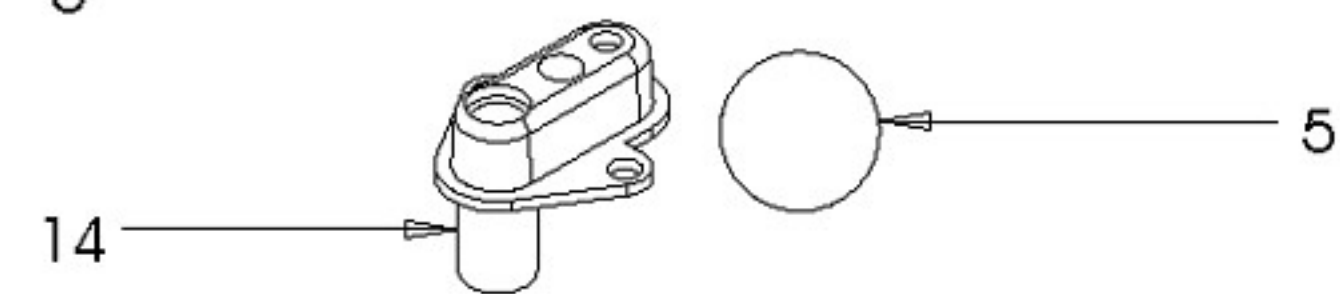
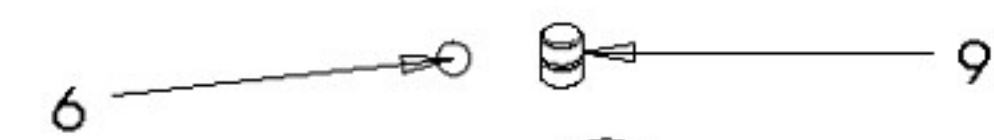
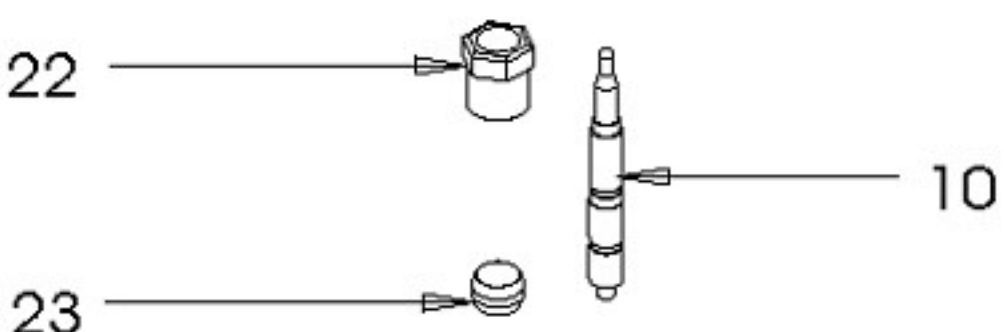
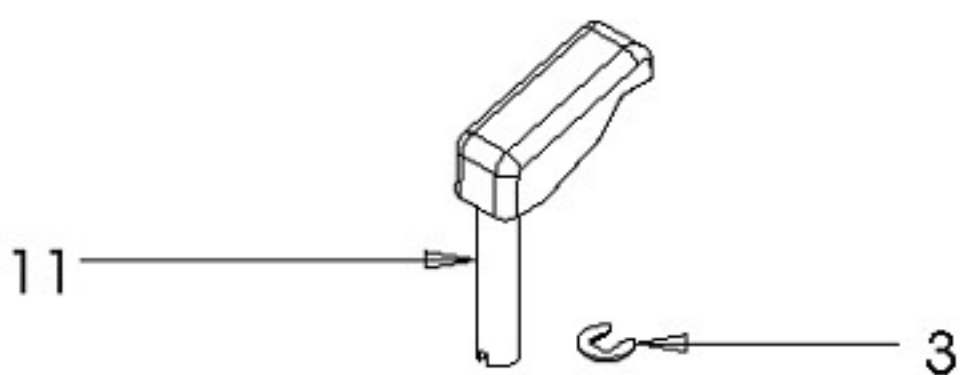
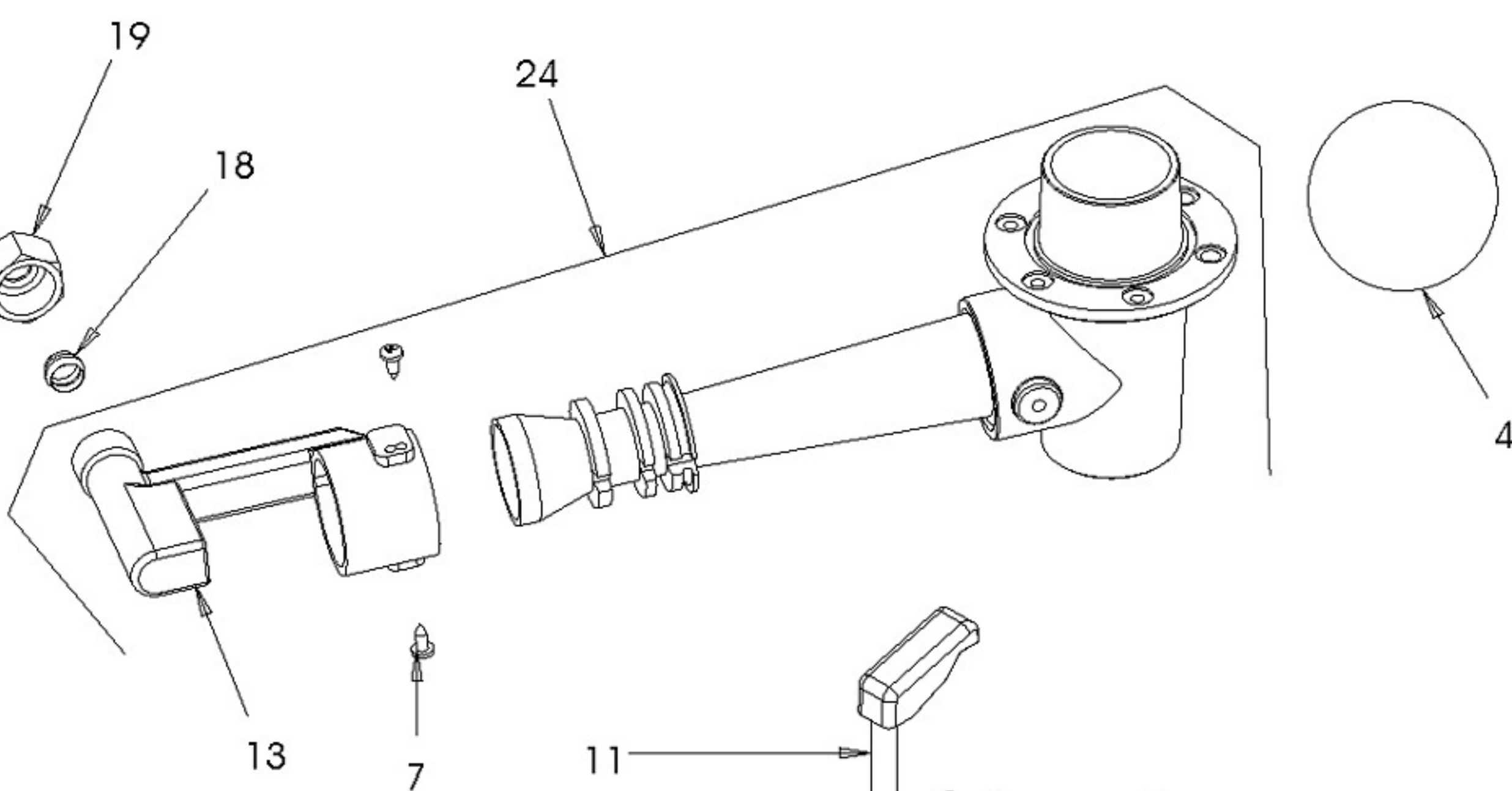
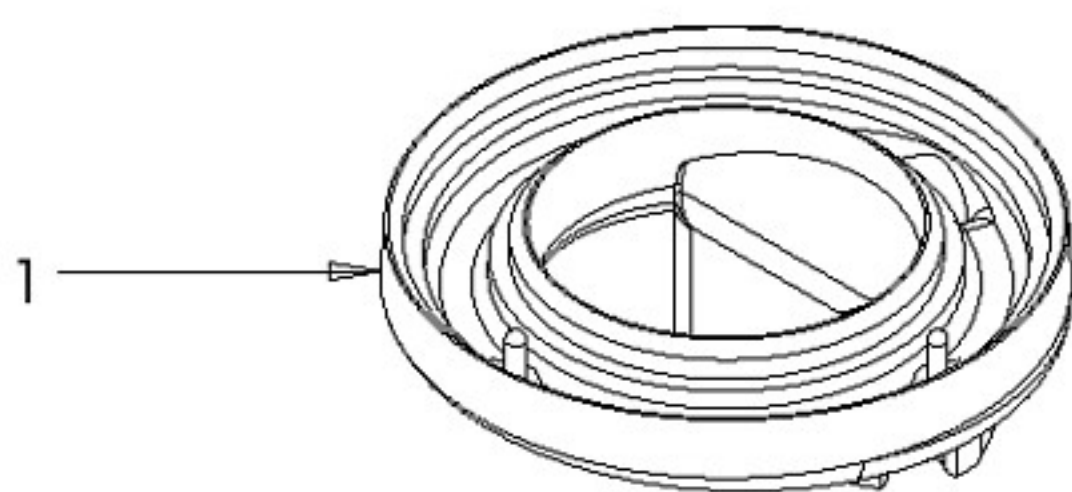
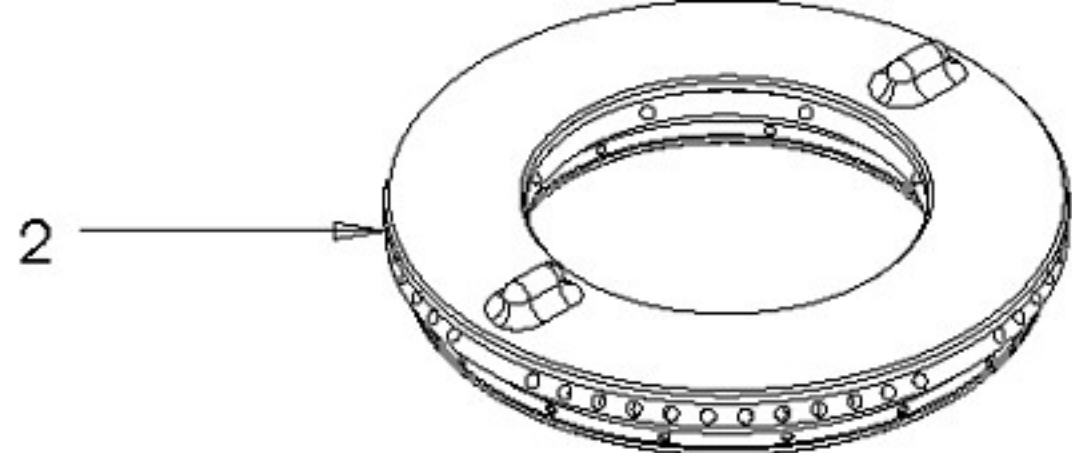


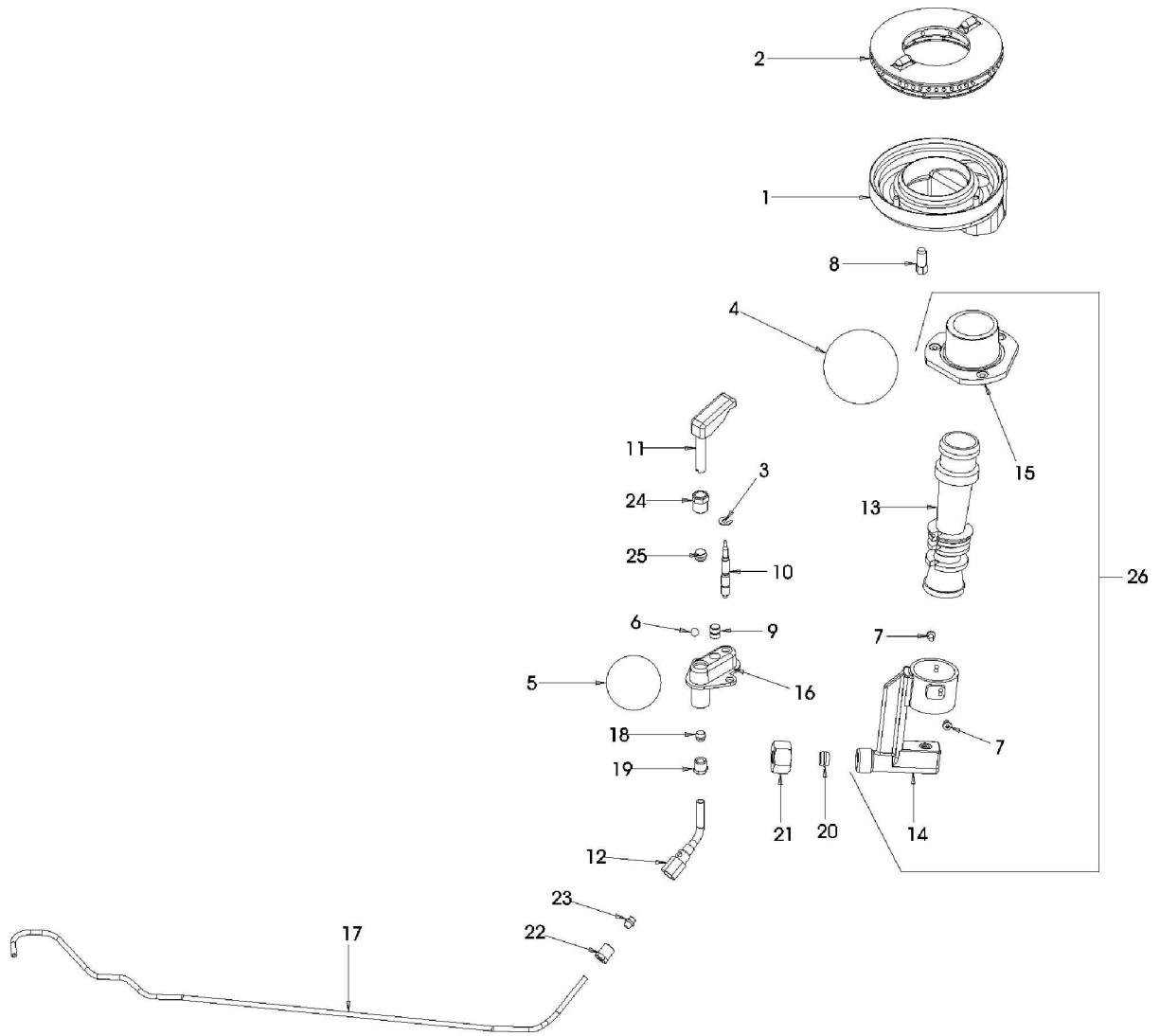


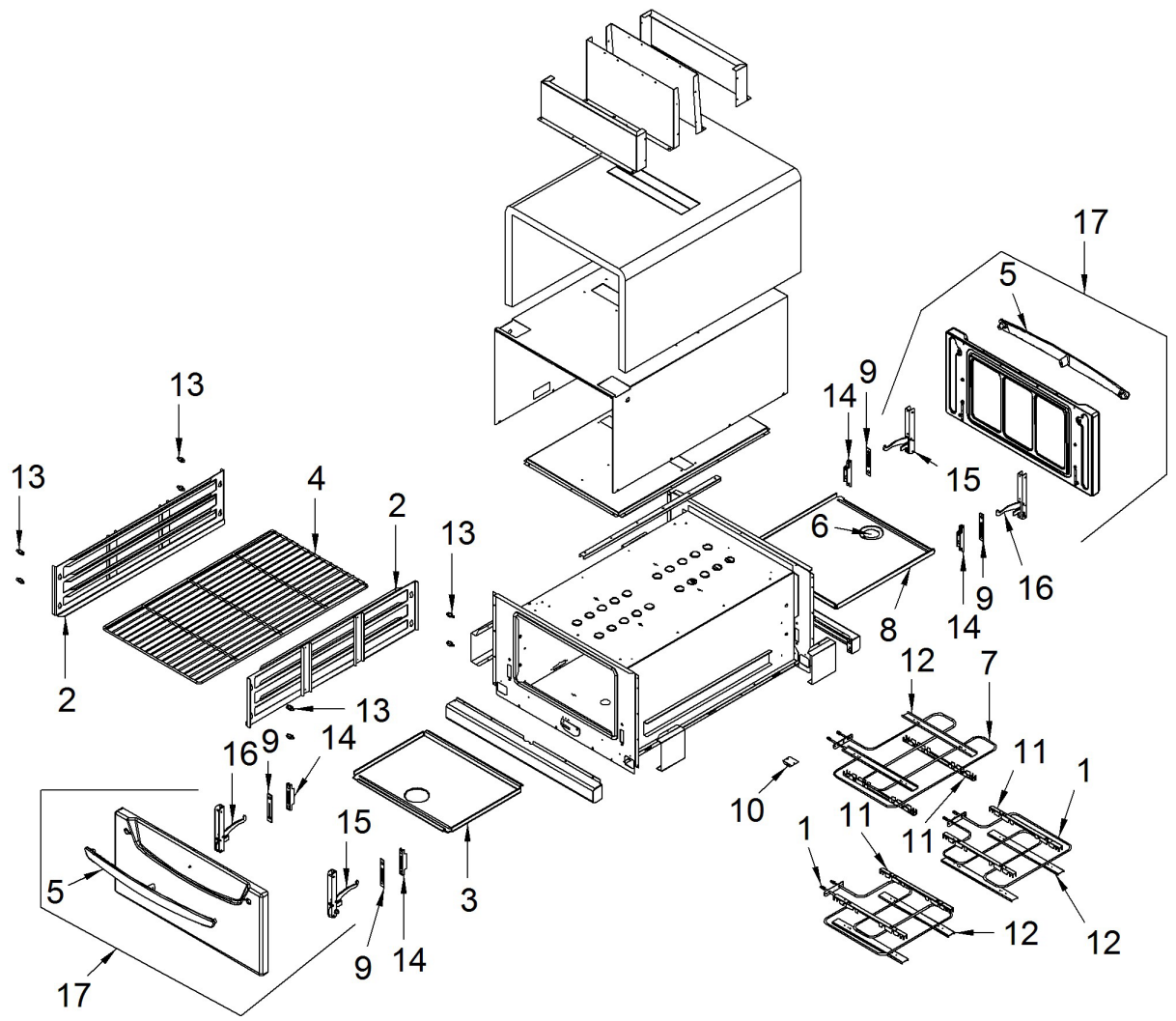
**08WFA4E**

**Edition 20141017-**









Page	Pos	Code	Description	Info
002	001	3012170	UPPER CONTROL BOARD	12/09/2011-
002	002	3013171	KNOB Ø8	12/09/2011-
002	003	3014150	MANIFOLD NIPPLE PIPE	12/09/2011-
002	004	3255190	RED SWITCH	17/10/2014-
002	005	3015000	SPARK	12/09/2011-
002	006	3015901	IGNITIONDEVICE OVEN CONTROL KNOB	12/09/2011-
002	007	3020251	ELECTRIC CONTROL KNOB	12/09/2011-
002	008	3035290	EL. CABLES PIPE	12/09/2011-
002	009	3036300	UPPER CONTROL BOARD	12/09/2011-
002	010	3036530	BUSHING	12/09/2011-
002	011	3064310	GAS CONTROL	12/09/2011-
002	012	3106710	GREEN LIGHT 230V	12/09/2011-
002	013	3106730	ORANGE LIGHT 230V	12/09/2011-
002	014	3147990	GAS MANIFOLD ASS. Y	12/09/2011-
002	015	3148000	GAS MANIFOLD ASS. Y	12/09/2011-
002	016	3152240	THERMOSTAT PROTECT.	12/09/2011-
002	017	3161840	SELECTOR SWITCH	12/09/2011-
002	018	32A3060	CABLE 600MM	12/09/2011-
002	019	32A3070	CABLE 1000MM	12/09/2011-
002	020	3092730	TERMINAL BOARD	14/11/2013-
002	021	32D1780	FAIRLEAD	12/09/2011-
002	022	32Z9202	SAFETY THERMOSTAT	12/09/2011-
002	023	32Z9240	ELECTRIC THERMOSTAT	12/09/2011-
002	024	35R0222	PROFILE OMEGA	12/09/2011-
002	025	36C4230	FLUE GUARD	12/09/2011-
002	026	37Q3270	SWITCH COVER	12/09/2011-
002	027	6029680	GRID + PIN	12/09/2011-
002	028	36Q0080	BICONE Ø 10X6.5	12/09/2011-
002	029	36Q0830	BICONE NUT Ø 10	12/09/2011-
002	030	3038360	TEFLON BICONE Ø 14	12/09/2011-
002	031	36Q0210	BICONE NUT Ø 14	12/09/2011-
002	032	33A0680	THERMOCOUPLE M8X1X600	12/09/2011-
002	033	36Q1040	BICONE Ø4	12/09/2011-
002	034	36Q1000	CLOSING BICONE NUT Ø4	12/09/2011-
002	035	32T0350	IGNITION PLUG	12/09/2011-
002	036	3079290	FLEXIBLE PIPE L=400	12/09/2011-
002	037	3014320	FLEXIBLE PIPE DN10 L=400	12/09/2011-
002	038	3152250	GAS VALVE GUARD Ø 50	12/09/2011-
002	039	3255200	SUPPORT	17/10/2014-
002	040	3255210	CONTACT 1NA	17/10/2014-
002	200	M021210	M.BURNER 10KW	12/09/2011-
002	201	M021220	M.BURNER	12/09/2011-
003	001	3019360	BURNER Ø 130 10kW	01/03/2006-
003	002	3019370	BURNER CAP Ø 130 10kW	01/03/2006-
003	003	3120460	SEAL RING	01/03/2006-
003	004	3152040	RING "OR" Ø 47,35	01/03/2006-
003	005	3152370	RING "OR" Ø 34.65	01/03/2006-
003	006	3152550	RING "OR" Ø 6.0	01/03/2006-
003	007	31M6320	SCREW TCB	01/03/2006-
003	008	31V0241	PIVOT	01/03/2006-
003	009	31V0370	HOLE PLUG	01/03/2006-

Page	Pos	Code	Description	Info
003	010	33A0680	THERMOCOUPLE	01/03/2006-
003	011	33A1490	M8X1X600 PILOT PIPE	01/03/2006-
003	012	33A1920	PILOT BURNER BODY	01/03/2006-
003	013	34A2020	NOZZLE SUPP. CONNECT.	01/03/2006-
003	014	34A2381	PILOT BURNER SUPPORT	28/01/2010-
003	015	35X4361	PILOT PIPE	01/03/2006-
003	016	36Q0020	BICONE Ø 6 X 6.5	01/03/2006-
003	017	36Q0060	CLOSING BICONE NUT Ø 6	01/03/2006-
003	018	36Q0080	BICONE Ø 10X6.5	01/03/2006-
003	019	36Q0610	BICONE SCREW Ø10	01/03/2006-
003	020	36Q1000	CLOSING BICONE NUT Ø4	01/03/2006-
003	021	36Q1040	BICONE Ø4	01/03/2006-
003	022	36Q1620	BICONE SCREW M 12X1	01/03/2006-
003	023	36Q1630	BICONE Ø 8X6.5	01/03/2006-
003	024	6014831	BURNER SUPPORT	05/03/2010-
004	001	3019380	BURNER Ø 110 7kW	01/03/2006-
004	002	3019390	BURNER CAP Ø 110 7kW	01/03/2006-
004	003	3120460	SEAL RING	01/03/2006-
004	004	3152040	RING "OR" Ø 47,35	01/03/2006-
004	005	3152370	RING "OR" Ø 34.65	01/03/2006-
004	006	3152550	RING "OR" Ø 6.0	01/03/2006-
004	007	31M6320	SCREW TCB	01/03/2006-
004	008	31V0241	PIVOT	01/03/2006-
004	009	31V0370	HOLE PLUG	01/03/2006-
004	010	33A0680	THERMOCOUPLE	01/03/2006-
004	011	33A1490	M8X1X600 PILOT PIPE	01/03/2006-
004	012	33A1920	PILOT BURNER BODY	01/03/2006-
004	013	34A2000	VENTURI Ø 14.5	01/03/2006-
004	014	34A2020	NOZZLE SUPP. CONNECT.	01/03/2006-
004	015	34A2071	BURNER SUPPORT	03/12/2009-
004	016	34A2381	PILOT BURNER SUPPORT	28/01/2010-
004	017	35X4371	PILOT PIPE	01/03/2006-
004	018	36Q0020	BICONE Ø 6 X 6.5	01/03/2006-
004	019	36Q0060	CLOSING BICONE NUT Ø 6	01/03/2006-
004	020	36Q0080	BICONE Ø 10X6.5	01/03/2006-
004	021	36Q0610	BICONE SCREW Ø10	01/03/2006-
004	022	36Q1000	CLOSING BICONE NUT Ø4	01/03/2006-
004	023	36Q1040	BICONE Ø4	01/03/2006-
004	024	36Q1620	BICONE SCREW M 12X1	01/03/2006-
004	025	36Q1630	BICONE Ø 8X6.5	01/03/2006-
004	026	6013761	BURNER SUPPORT	03/12/2009-
005	001	3014100	HEATING ELEMENT	12/09/2011-
005	002	3014300	TRAY RACK ASS. Y	12/09/2011-
005	003	3018430	OVEN BOTTOM PLATE	12/09/2011-
005	004	3029020	OVEN GRID	12/09/2011-
005	005	3092801	OVEN HANDLE	12/09/2011-
005	006	30D1260	OVEN PLATE HOLE COVER	12/09/2011-
005	007	32G0951	HEATING EL. 2700W- 400V	12/09/2011-
005	008	35D4340	OVEN BOTTOM PLATE	12/09/2011-
005	009	35U3170	FLAT BRACKET	12/09/2011-
005	010	35U4210	""U"" BRACKET"	12/09/2011-

<b>Page</b>	<b>Pos</b>	<b>Code</b>	<b>Description</b>	<b>Info</b>
005	011	35U4362	"U" BRACKET	12/09/2011-
005	012	35U5891	"U" BRACKET	12/09/2011-
005	013	36C3011	PIN CH14	12/09/2011-
005	014	36M0270	HINGE CATCH	12/09/2011-
005	015	36M2420	RIGHT-HAND HINGE	12/09/2011-
005	016	36M2430	LEFT HAND HINGE	12/09/2011-
005	017	6029890	OVEN DOOR ASS. Y	12/09/2011-