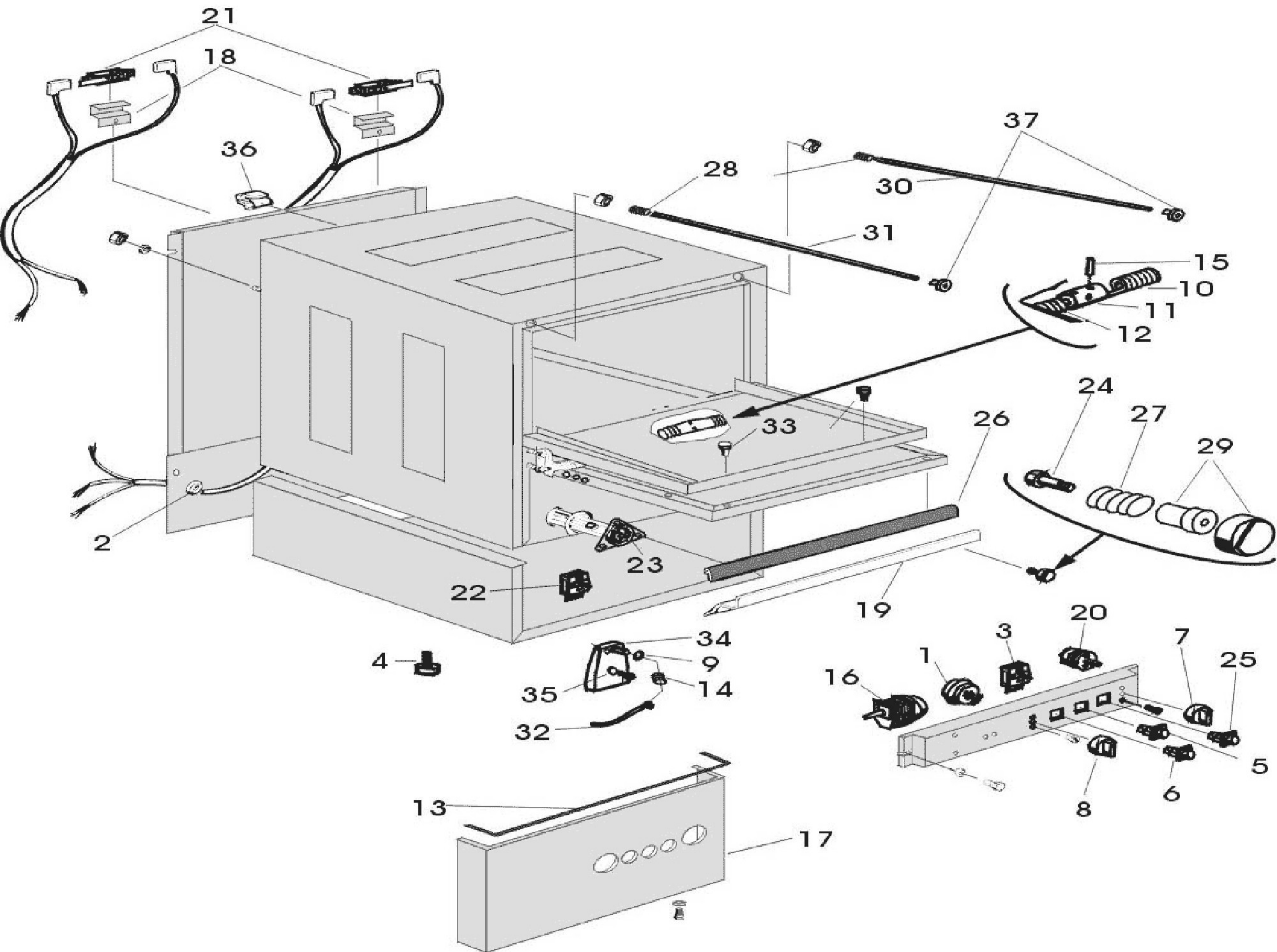


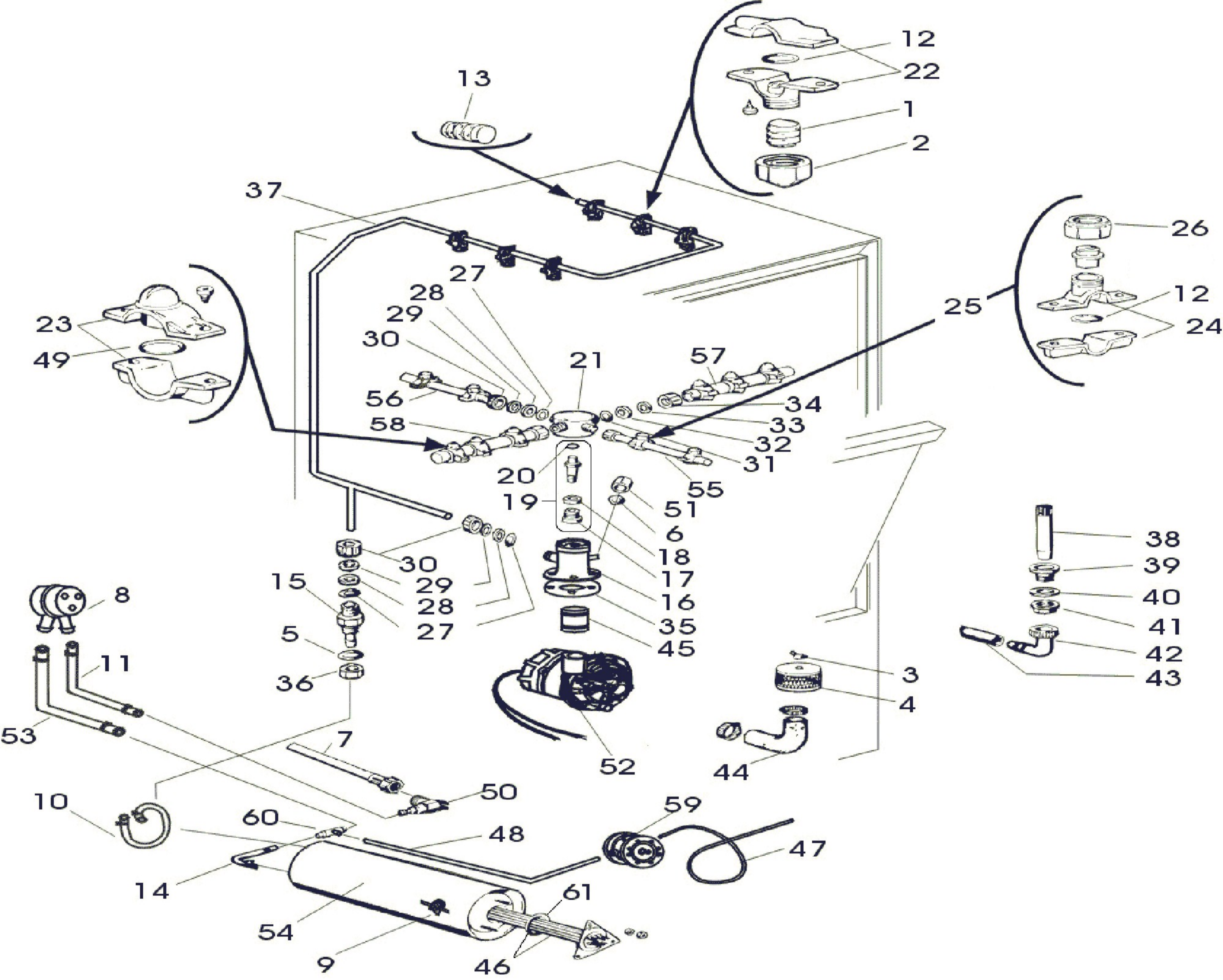


**LT20F**

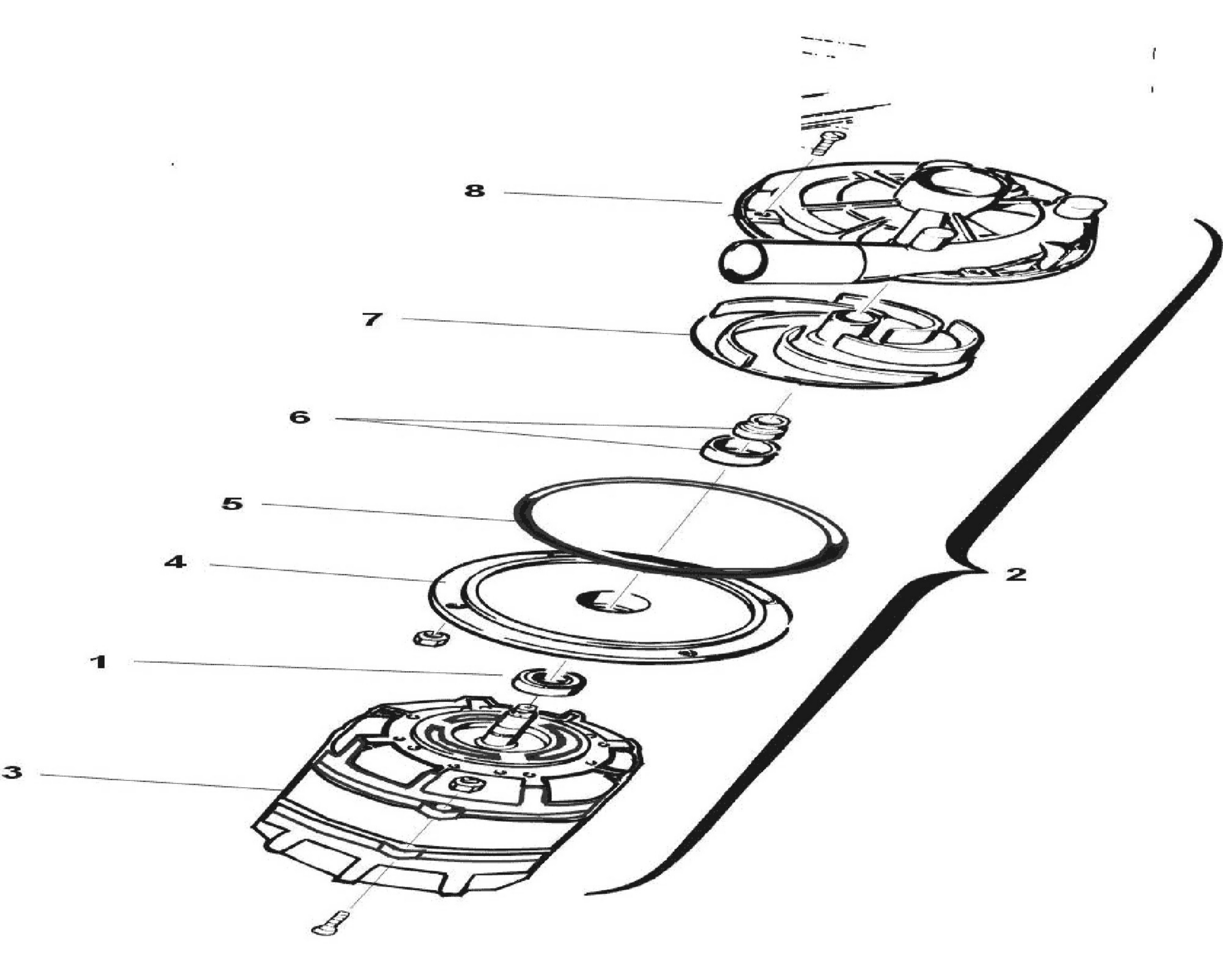
**Edition 20070901-**











| Page | Pos | Code          | Description                        | Info        |
|------|-----|---------------|------------------------------------|-------------|
| 002  | 001 | 32Z7190       | PRESSURE-SWITCH                    | 12/01/2000- |
| 002  | 002 | LT20F-Pos.002 | GROMMET                            | 12/01/2000- |
| 002  | 003 | 32Z8840       | THERMOSTAT 30-90C                  | 12/01/2000- |
| 002  | 004 | 36M1600       | FOOT H. 20 DIAM. 30X10MA           | 12/01/2000- |
| 002  | 005 | 32W1230       | GREEN LIGHT                        | 12/01/2000- |
| 002  | 006 | 32W1250       | BLUE LIGHT                         | 12/01/2000- |
| 002  | 007 | 36M1580       | HANDLE                             | 12/01/2000- |
| 002  | 008 | 36M1590       | KNOB                               | 12/01/2000- |
| 002  | 009 | 3150550       | O.R. GASKET 6.07X1.78              | 12/01/2000- |
| 002  | 010 | 36G8360       | RIGHT TWISTING SPRING D. 3mm       | 12/01/2000- |
| 002  | 011 | 36G7400       | SPRING STRETCHER DIAM. 18          | 12/01/2000- |
| 002  | 012 | 36G8350       | TWISTING SPRING                    | 12/01/2000- |
| 002  | 013 | 37Q1590       | BASE-PANEL SEALING AL 30/40/31/41  | 12/01/2000- |
| 002  | 014 | 36G1740       | SPRING OF LEVEL CONTROL HOSE       | 12/01/2000- |
| 002  | 015 | 36G8370       | Lockpin                            | 12/01/2000- |
| 002  | 016 | 32Z5720       | PROGRAMMER                         | 12/01/2000- |
| 002  | 017 | 7523/AP       | PANEL                              | 12/01/2000- |
| 002  | 018 | LT20F-Pos.018 | DOOR SWITCH                        | 12/01/2000- |
| 002  | 019 | 7532/N        | BRACKET NEUTRAL HANDLE             | 12/01/2000- |
| 002  | 020 | 32W1200       | SWITCH                             | 12/01/2000- |
| 002  | 021 | 32W1180       | PROTECTED MICROSWITCH              | 12/01/2000- |
| 002  | 022 | 32Z7200       | THERMOSTAT 90°                     | 12/01/2000- |
| 002  | 023 | 32G0480       | HEATING ELEMENT                    | 12/01/2000- |
| 002  | 024 | 32W1300       | SWITCH                             | 01/09/2004- |
| 002  | 025 | 32W1220       | WHITE LIGHT                        | 12/01/2000- |
| 002  | 026 | 37Q3910       | DOOR GASKET                        | 12/01/2000- |
| 002  | 027 | 32W1300       | SWITCH                             | 01/09/2004- |
| 002  | 028 | 36G8380       | SPRING                             | 12/01/2000- |
| 002  | 029 | 32W1300       | SWITCH                             | 12/01/2000- |
| 002  | 030 | 36H0980       | DOOR SWITCH TUBE                   | 12/01/2000- |
| 002  | 031 | 36H0990       | ROD OF DOOR- SWITCH                | 12/01/2000- |
| 002  | 032 | 35X3120       | PRESSURE ACCUMULATOR TUBE          | 12/01/2000- |
| 002  | 033 | 3601340       | RUBBER BUMPER                      | 12/01/2000- |
| 002  | 034 | 33D0410       | PRESSURE SWITCH                    | 12/01/2000- |
| 002  | 035 | 3150630       | NYLON O.R. GASKET 4X8              | 12/01/2000- |
| 002  | 036 | LT20F-Pos.036 | BACK GROMMET                       | 12/01/2000- |
| 002  | 037 | 33Q3440       | MICROSWITCH ROD BUSHING            | 12/01/2000- |
| 003  | 001 | 3FL0175       | NOZZLE                             | 12/01/2000- |
| 003  | 002 | 33T1160       | NOZZLE                             | 12/01/2000- |
| 003  | 003 | 33Q3200       | WING NUT                           | 12/01/2000- |
| 003  | 004 | 35Q9940       | PUMP INTAKE FILTER                 | 12/01/2000- |
| 003  | 005 | 3152470       | "OR" GASKET 20.22X3.53             | 12/01/2000- |
| 003  | 006 | 3152480       | FILLING-HOSE GASKET 12X24X2.5      | 12/01/2000- |
| 003  | 007 | 33M0350       | PIPE                               | 12/01/2000- |
| 003  | 008 | 33D2100       | SAFETY VALVE                       | 01/09/2007- |
| 003  | 009 | 32Z8270       | CONTACT THERMOSTAT                 | 12/01/2000- |
| 003  | 010 | 33M0710       | HOSE FROM T-TUBE TO LOWER RINSING  | 12/01/2000- |
| 003  | 011 | 33M0680       | HOSE FROM T-TUBE TO SOLENOID VALVE | 12/01/2000- |
| 003  | 012 | 3150450       | O RING                             | 12/01/2000- |
| 003  | 013 | 33Q3660       | PLUG                               | 12/01/2000- |
| 003  | 014 | 33M0660       | SLEEVE                             | 12/01/2000- |

| Page | Pos | Code          | Description                            | Info        |
|------|-----|---------------|--|-------------|
| 003  | 015 | 33Q4400       | JOINT FOR RINSING ROD                  | 12/01/2000- |
| 003  | 016 | 36G8070       | COLUMN                                 | 12/01/2000- |
| 003  | 017 | 33Q2120       | RING NUT                               | 12/01/2000- |
| 003  | 018 | 3070150       | GASKET 18,5X14,2X2                     | 01/12/2005- |
| 003  | 019 | 36G7410       | PIN ASSEMBLY                           | 12/01/2000- |
| 003  | 020 | 35D8780       | PIN                                    | 12/01/2000- |
| 003  | 021 | 36G1430       | ROTARY HEAD                            | 12/01/2000- |
| 003  | 022 | 33T1170       | NOZZLE HOLDER                          | 12/01/2000- |
| 003  | 023 | 33T1130       | NOZZLE                                 | 12/01/2000- |
| 003  | 024 | 33T1140       | NOZZLE HOLDER                          | 12/01/2000- |
| 003  | 025 | 3240500       | NOZZLE ASSEMBLY                        | 12/01/2000- |
| 003  | 026 | 33Q1310       | RING NUT                               | 12/01/2000- |
| 003  | 027 | 3152100       | GASKET                                 | 12/01/2000- |
| 003  | 028 | 3191080       | WASHER                                 | 12/01/2000- |
| 003  | 029 | 3120210       | RING                                   | 12/01/2000- |
| 003  | 030 | 33Q3610       | RING NUT                               | 12/01/2000- |
| 003  | 031 | 3152110       | O RING                                 | 12/01/2000- |
| 003  | 032 | 3191090       | WASHER                                 | 12/01/2000- |
| 003  | 033 | 3120220       | RING 18X3                              | 12/01/2000- |
| 003  | 034 | 33Q3620       | RING NUT                               | 12/01/2000- |
| 003  | 035 | 3152090       | COLUMN GASKET AL                       | 12/01/2000- |
| 003  | 036 | 33Q4410       | RING NUT 1/2" GAS                      | 12/01/2000- |
| 003  | 037 | LT20F-Pos.037 | RINSING ROD AL 40/41                   | 12/01/2000- |
| 003  | 038 | 33D0390       | OVERFLOW PIPE                          | 12/01/2000- |
| 003  | 039 | 33Q1420       | DRAIN                                  | 12/01/2000- |
| 003  | 040 | 37Q1070       | GASKET                                 | 12/01/2000- |
| 003  | 041 | 33Q1430       | RING NUT                               | 12/01/2000- |
| 003  | 042 | 33D2440       | DRAIN ELBOW HOSE 1" X 25               | 12/01/2000- |
| 003  | 043 | 35Z0240       | DRAIN PIPE                             | 12/01/2000- |
| 003  | 044 | 33Q1300       | INTAKE HOSE D. 45                      | 12/01/2000- |
| 003  | 045 | 33Q1290       | OUTLET HOSE DIAM. 40/50 H 50           | 12/01/2000- |
| 003  | 046 | 32G0540       | BOILER HEATING ELEMENT +"OR"           | 12/01/2000- |
| 003  | 047 | 35Z1100       | HOSE FROM DISPENSER TO RINSE- AID TANK | 12/01/2000- |
| 003  | 048 | LT20F-Pos.048 | HOSE FROM T- JUNCTION TO               | 12/01/2000- |
| 003  | 049 | 3150380       | DISPENSER O RING                       | 12/01/2000- |
| 003  | 050 | 33D0240       | SOLENOID VALVE                         | 12/01/2000- |
| 003  | 051 | 33Q3100       | RING NUT 3/4"                          | 12/01/2000- |
| 003  | 052 | 32M2940       | PUMP HOSE FROM OUTLET                  | 12/01/2000- |
| 003  | 053 | 33M0690       | OF WATER SOFTENER TO T-JOINT OF        | 12/01/2000- |
| 003  | 054 | 34A0700       | DISPENSER BOILER                       | 12/01/2000- |
| 003  | 055 | 30Z2430       | RIGHT RINSING ARM                      | 12/01/2000- |
| 003  | 056 | 30Z2420       | LEFT RINSING ARM                       | 12/01/2000- |
| 003  | 057 | 30Z2190       | RIGHT LOWER WASHING ARM                | 12/01/2000- |
| 003  | 058 | 30Z2510       | LEFT LOWER WASHING ARM                 | 12/01/2000- |
| 003  | 059 | 33D0380       | RINSE AID DISPENSER                    | 12/01/2000- |
| 003  | 060 | 35Z1090       | "REDUCED ""T""- JUNCTION"              | 12/01/2000- |
| 003  | 061 | 3187530       | O RING                                 | 12/01/2000- |
| 004  | 001 | 36G8840       | BALL-BEARING 6201 FOR SELF-COOLING     | 12/01/2000- |
| 004  | 002 | 32M2940       | PUMP HP 0.15/HP 0.5 PUMP               | 12/01/2000- |
| 004  | 003 | LT20F-Pos.003 | MOTOR OF OPEN PUMP HP. 0.4             | 12/01/2000- |
| 004  | 004 | 36G8090       | FLANGE OF OPEN PUMP HP. 0.4            | 12/01/2000- |

| <b>Page</b> | <b>Pos</b> | <b>Code</b> | <b>Description</b>               | <b>Info</b> |
|-------------|------------|-------------|----------------------------------|-------------|
| 004         | 005        | 3152070     | O.R. GASKET OF OPEN PUMP HP. 0.4 | 12/01/2000- |
| 004         | 006        | 3152080     | SEAL                             | 12/01/2000- |
| 004         | 007        | 36G1460     | IMPELLER                         | 12/01/2000- |
| 004         | 008        | 36G8080     | SCROLL OF OPEN PUMP HP. 0.4      | 12/01/2000- |