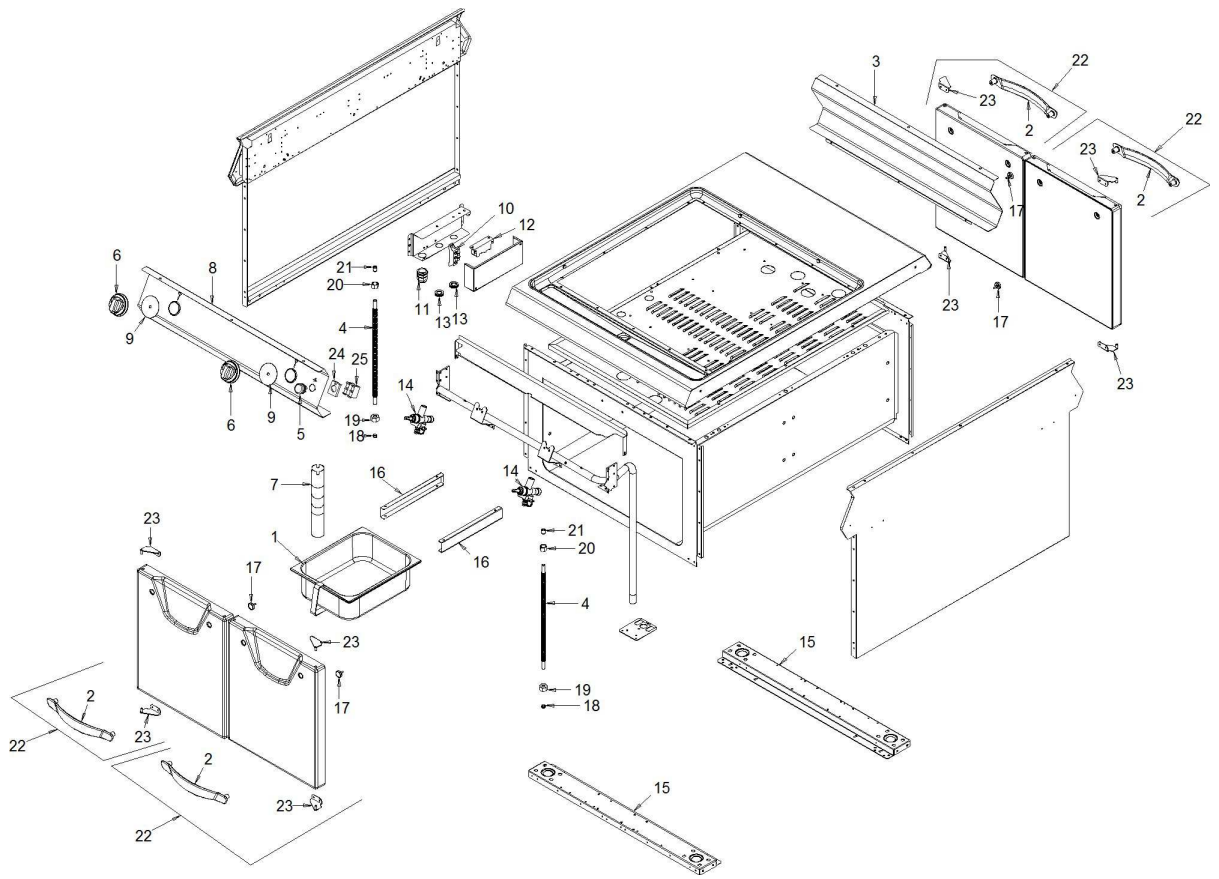
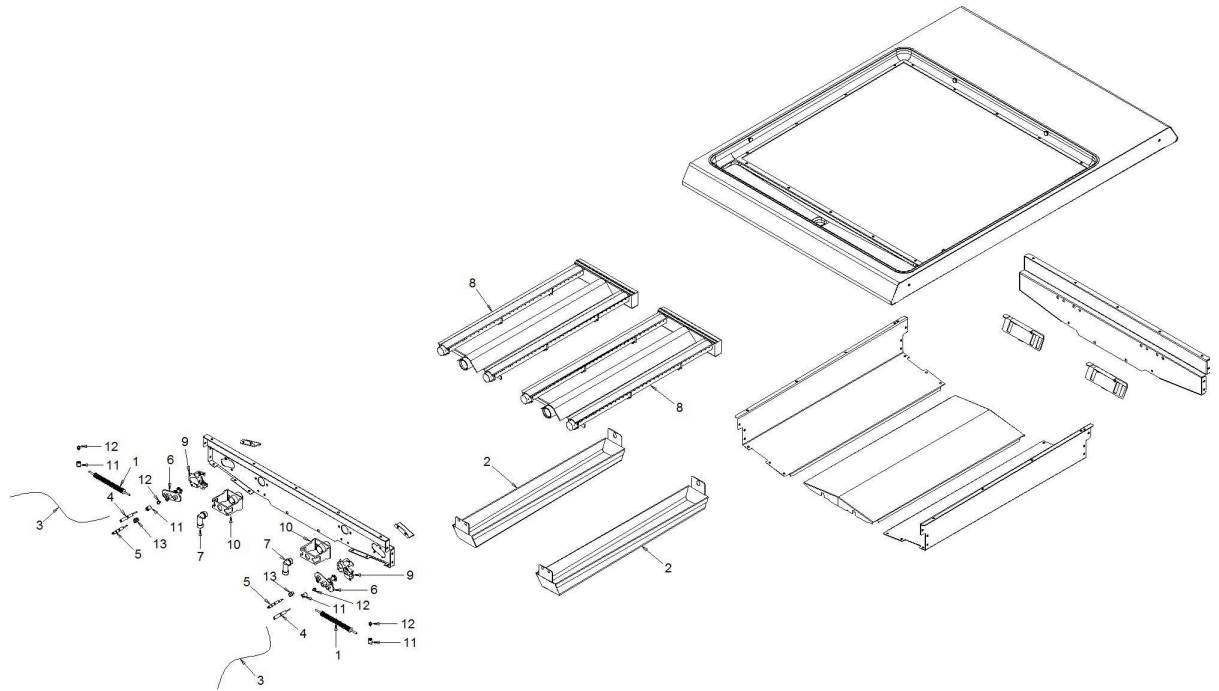


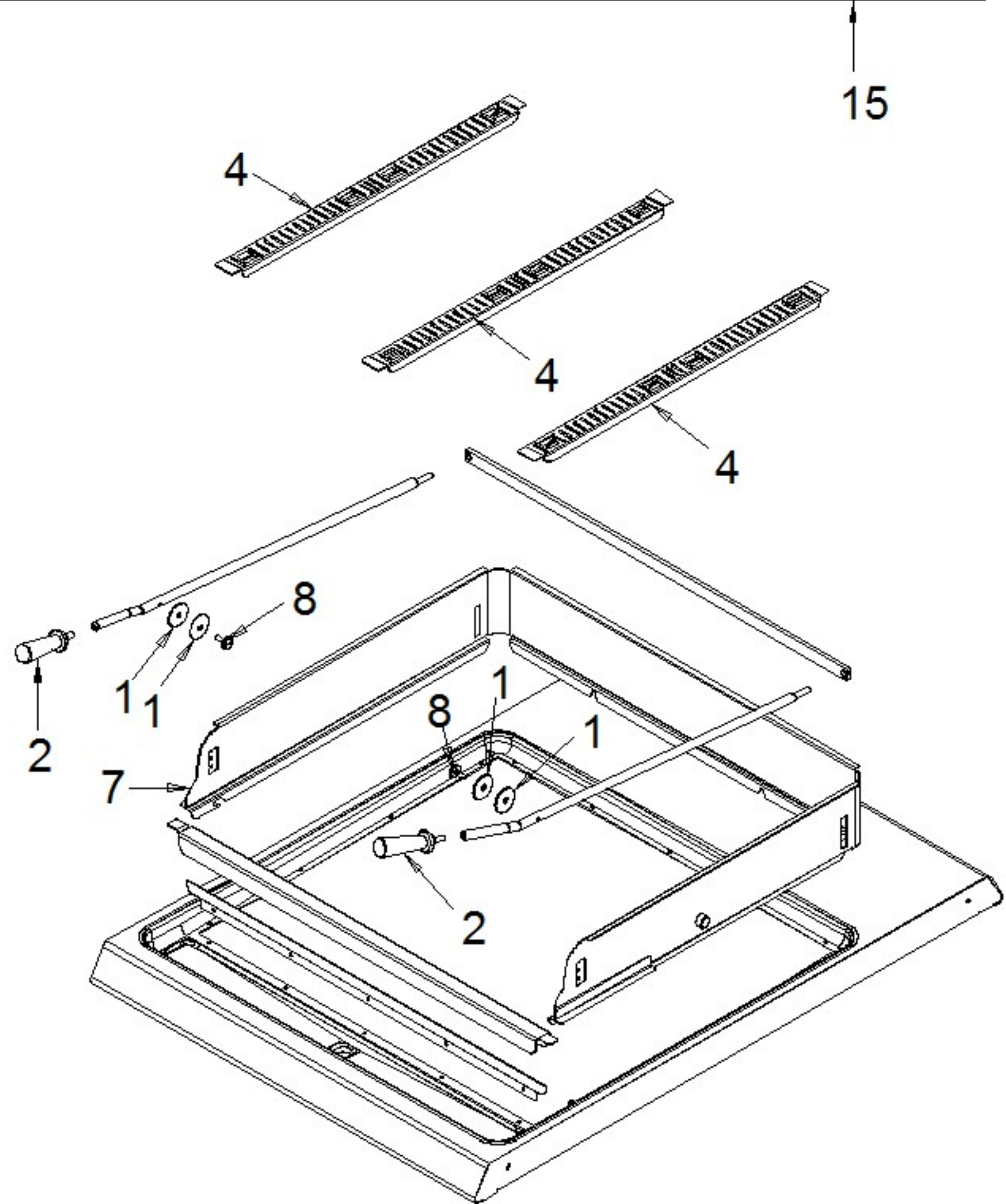
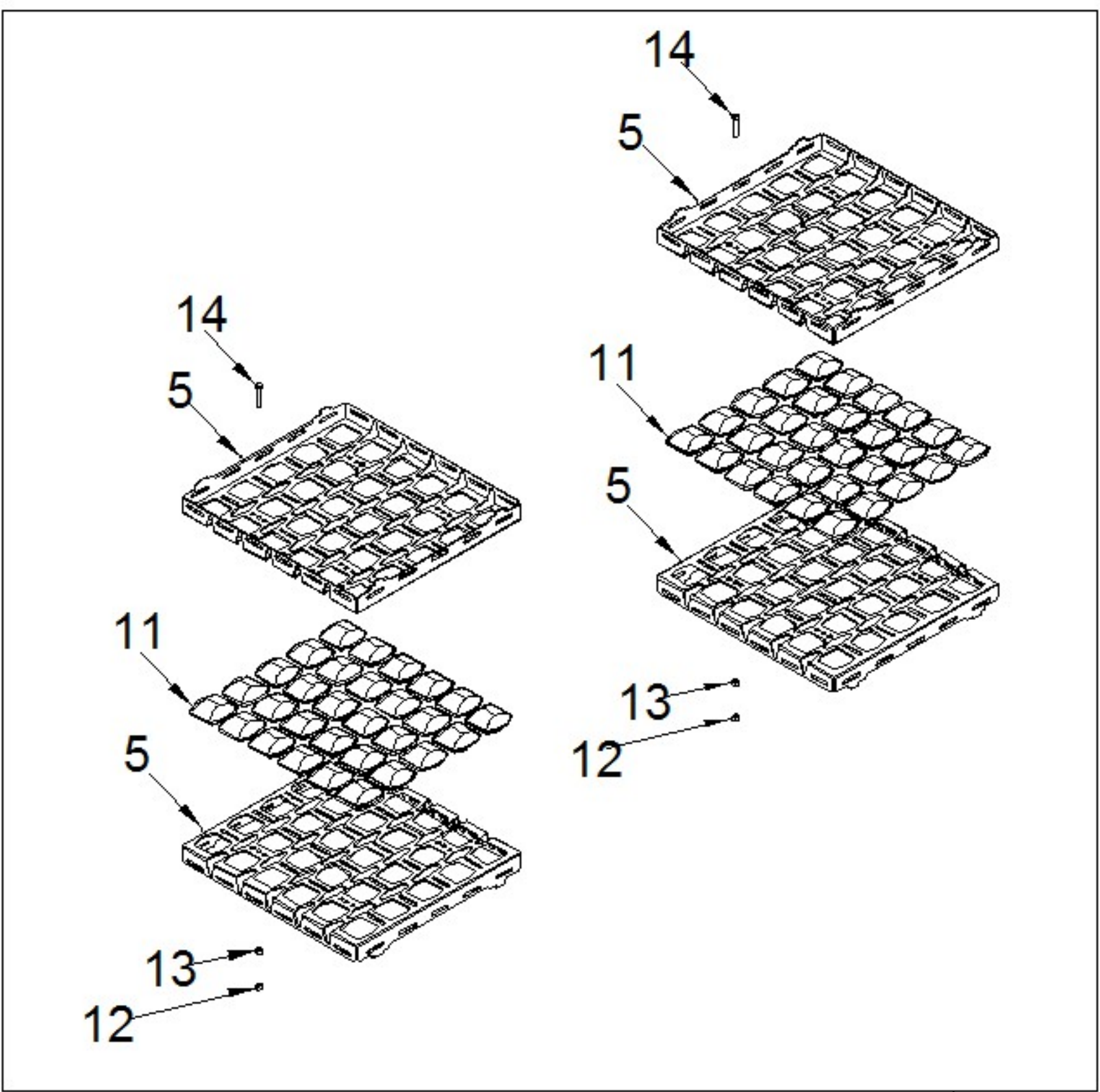
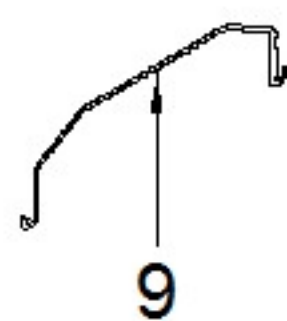
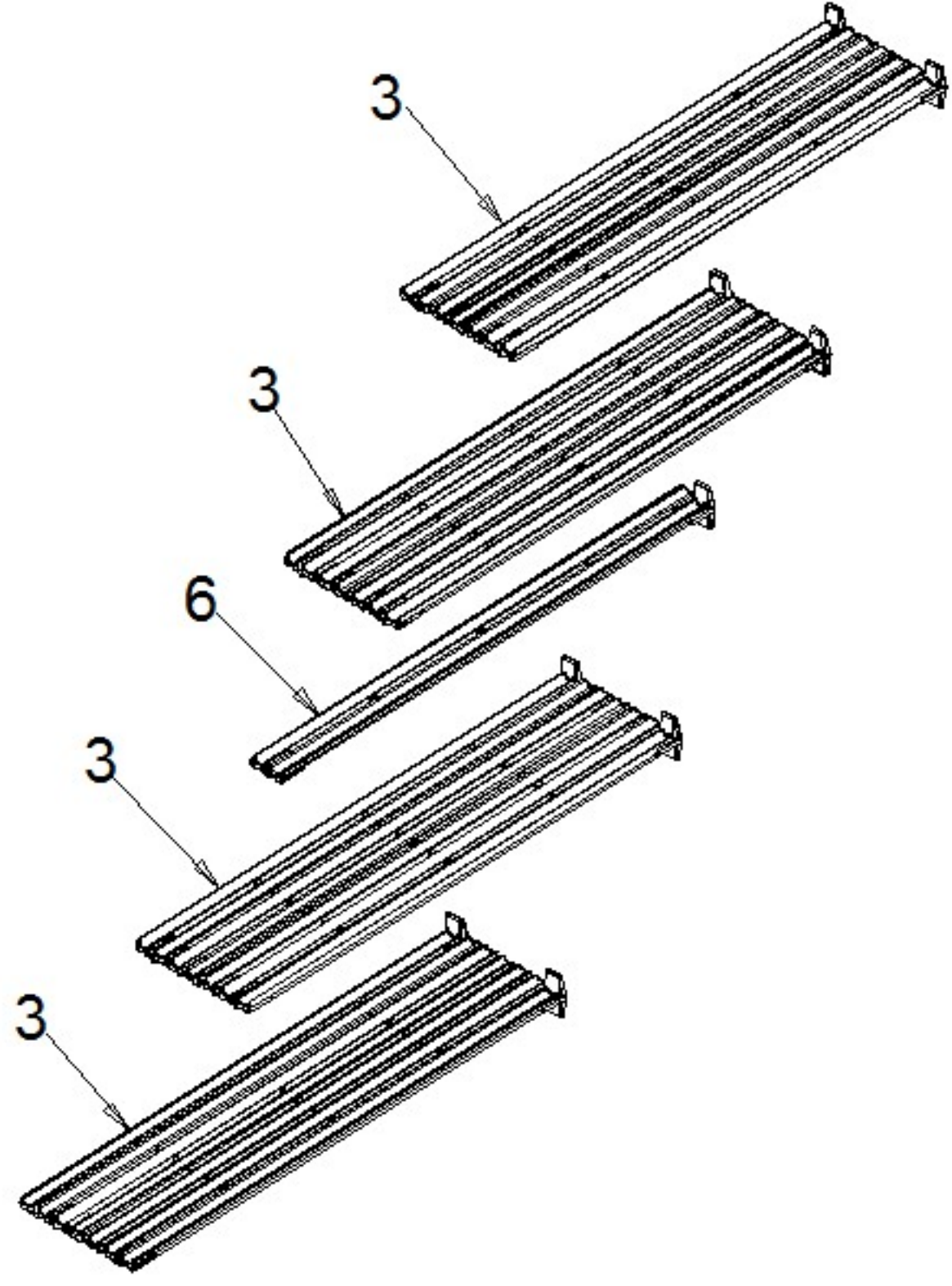


08WGRGV

Edition 20141017-







| Page | Pos | Code | Description | Info |
|------|-----|---------|--------------------------|-------------|
| 002 | 001 | 3010380 | SPILLAGE TRAY | 01/03/2007- |
| 002 | 002 | 3010573 | HANDLE | 04/10/2013- |
| 002 | 003 | 3013740 | UPPER CONTROL BOARD | 01/03/2007- |
| 002 | 004 | 3014320 | FLEXIBLE PIPE DN10 L=400 | 01/03/2007- |
| 002 | 005 | 3255190 | RED SWITCH | 17/10/2014- |
| 002 | 006 | 3015731 | GAS CONTROL KNOB | 11/03/2008- |
| 002 | 007 | 3066511 | DRAIN PIPE | 05/05/2014- |
| 002 | 008 | 3093170 | CONTROL BOARD | 01/03/2007- |
| 002 | 009 | 3152250 | GAS VALVE GUARD Ø | 01/03/2007- |
| 002 | 010 | 32D0171 | 50 TERMINAL BOARD | 01/03/2007- |
| 002 | 011 | 32D1770 | FAIRLEAD | 01/03/2007- |
| 002 | 012 | 32T0210 | SPARK IGNITION DEVICE | 01/03/2007- |
| 002 | 013 | 32X0140 | GROMMET Ø13,5-Ø25 | 01/03/2007- |
| 002 | 014 | 33D1991 | GAS CONTROL | 01/03/2007- |
| 002 | 015 | 35R0222 | PROFILE OMEGA | 01/03/2007- |
| 002 | 016 | 35U8390 | CONTAINER SLIDE | 01/03/2007- |
| 002 | 017 | 3600090 | MAGNET PLATE | 01/03/2007- |
| 002 | 018 | 36Q0080 | BICONE Ø 10X6.5 | 01/03/2007- |
| 002 | 019 | 36Q0610 | BICONE SCREW Ø10 | 01/03/2007- |
| 002 | 020 | 36Q0830 | BICONE NUT Ø 10 | 01/03/2007- |
| 002 | 021 | 36Q1700 | BICONE Ø10Ø12X14 | 01/03/2007- |
| 002 | 022 | 6029880 | DOOR ASS.Y | 20/06/2012- |
| 002 | 023 | 6029110 | HINGE ASSEMBLY | 19/05/2010- |
| 002 | 024 | 3255200 | SUPPORT | 17/10/2014- |
| 002 | 025 | 3255210 | CONTACT 1NA | 17/10/2014- |
| 003 | 001 | 3079290 | FLEXIBLE PIPE L=400 | 01/03/2007- |
| 003 | 002 | 3107720 | TRAY | 01/03/2007- |
| 003 | 003 | 32A2541 | CABLE "HF" 900MM | 07/10/2009- |
| 003 | 004 | 32T0190 | IGNITION PLUG | 01/03/2007- |
| 003 | 005 | 33A0680 | THERMOCOUPLE M8X1X600 | 01/03/2007- |
| 003 | 006 | 33A1630 | PILOT BURNER BODY | 01/03/2007- |
| 003 | 007 | 33Q3840 | NOZZLE SUPPORT. ELBOW | 01/03/2007- |
| 003 | 008 | 34A2082 | BURNER 9 KW | 19/07/2013- |
| 003 | 009 | 35E0810 | SUPPORT BURNER | 01/03/2007- |
| 003 | 010 | 36E1931 | BURNER BRACKET | 20/06/2013- |
| 003 | 011 | 36Q1000 | CLOSING BICONE NUT Ø4 | 01/03/2007- |
| 003 | 012 | 36Q1040 | BICONE Ø4 | 01/03/2007- |
| 003 | 013 | 36Q1050 | PIEZO IGN. CONNECTOR | 01/03/2007- |
| 004 | 001 | 3000860 | WASHER | 01/03/2007- |
| 004 | 002 | 3000900 | BALL HANDLE | 01/03/2007- |
| 004 | 003 | 3008250 | GAS GRID | 01/03/2007- |
| 004 | 004 | 3053241 | UPPER CROSS MEMBER | 01/03/2007- |
| 004 | 005 | 3193140 | FRAME | 25/01/2011- |
| 004 | 006 | 3092230 | GAS GRID | 01/03/2007- |
| 004 | 007 | 3092330 | SPRAY GUARD | 01/03/2007- |
| 004 | 008 | 3098290 | SCREW Ø20x25 | 01/03/2007- |
| 004 | 009 | 3105120 | HANDLE | 01/03/2007- |
| 004 | 011 | 37T1320 | CERAMIC BRICKET BOX | 01/03/2007- |
| 004 | 012 | 3110110 | NUT | 25/01/2011- |
| 004 | 013 | 3112230 | NUT | 25/01/2011- |
| 004 | 014 | 31A9700 | SCREW M5X30 | 25/01/2011- |

| Page | Pos | Code | Description | Info |
|-------------|------------|-------------|-------------------------------|-------------|
| 004 | 015 | 6300794 | MODULE FOR 400 FRAME ASSEMBLY | 25/01/2011- |