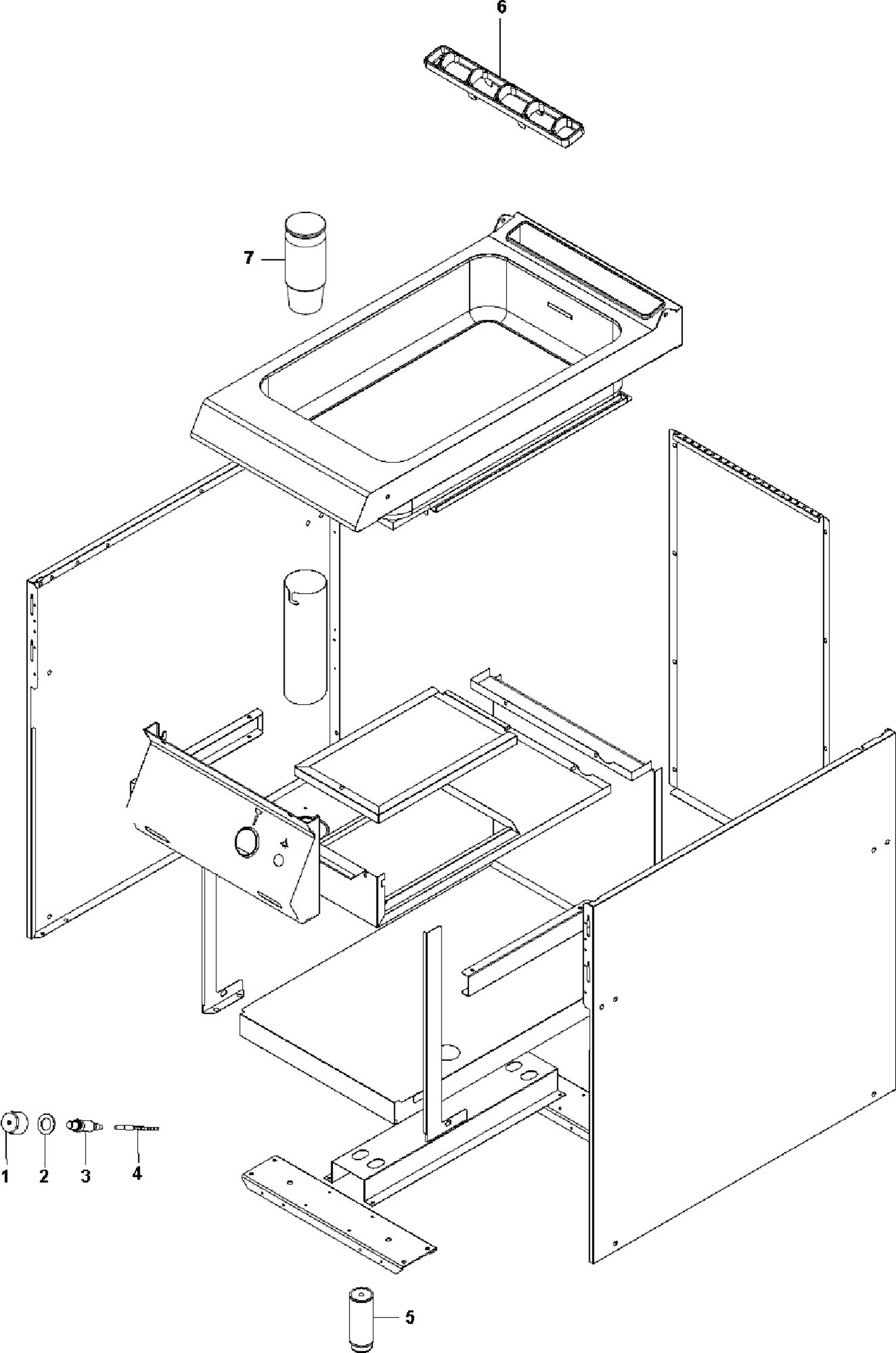




**0G1BR3G**

**Edition 20100713-**





Page	Pos	Code	Description	Info
002	001	37Q2100	HEAT. ELEM. PROTECTION	01/01/2004-
002	002	3191100	WASHER Ø31 Ø18,3=2	01/01/2004-
002	003	3166990	PIEZO IGNITION	13/07/2010-
002	004	32A2851	CABLE "HF" 600MM	07/10/2009-
002	005	36C5360	4 FOOTS ASS.Y	01/01/2004-
002	006	36C4780	FLUE GUARD	01/01/2004-
002	007	36C5200	PLUG	01/01/2004-
003	001	3128360	GAS CONTROL KNOB	01/03/2008-
003	002	3000910	PIN VALVE	01/01/2004-
003	003	3152280	GAS VALVE PROTECTION	01/01/2004-
003	004	3002410	LIMIT SWITCH	01/01/2004-
003	005	33A0920	ADAPTER	01/01/2004-
003	006	36R0010	PLUG 3/8"	01/01/2004-
003	007	6018970	GAS THERMOST. 110- 340°C. ASS.Y	20/04/2005-
003	009	36C2270	CHAMBER GLASS ASS. Y	01/01/2004-
003	010	33Q4680	CONNECT. R3/8- M16X 1.5	01/01/2004-
003	011	36Q0080	BICONE Ø 10X6.5	05/05/2006-
003	012	36Q0830	BICONE NUT Ø 10	01/01/2004-
003	014	36Q0610	BICONE SCREW Ø10	01/01/2004-
003	015	33Q3472	GAS ENTRY CONNECTOR	13/04/2007-
003	016	3014330	FLEXIBLE PIPE DN10 L=600	16/02/2006-
003	017	34A2530	BURNER	01/01/2004-
003	018	3079290	FLEXIBLE PIPE L=400	05/10/2006-
003	019	3008420	PILOT BURNER ASS .Y	01/01/2004-
003	020	3008450	IGNITION PLUG	01/01/2004-
003	021	6021780	INTERRUPTED THERMOC. M9X1X600	01/01/2007-
003	022	32Z1400	CABL SAFETY THERMOSTAT	01/01/2004-
003	023	3008460	BICONE Ø4	01/01/2004-
003	024	36Q1000	CLOSING BICONE NUT Ø4	01/01/2004-
003	025	36Q1700	BICONEØ10Ø12X14	05/05/2006-