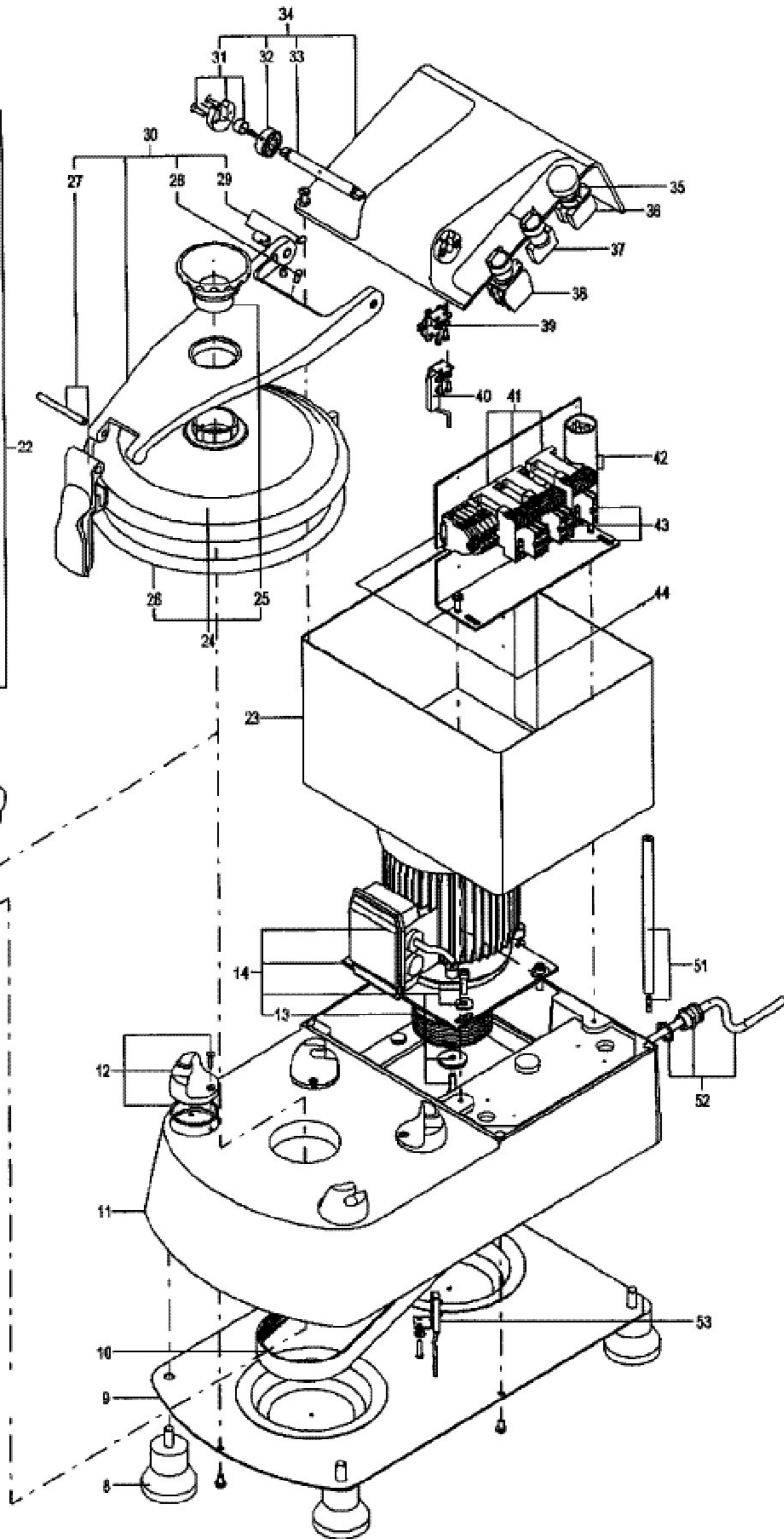
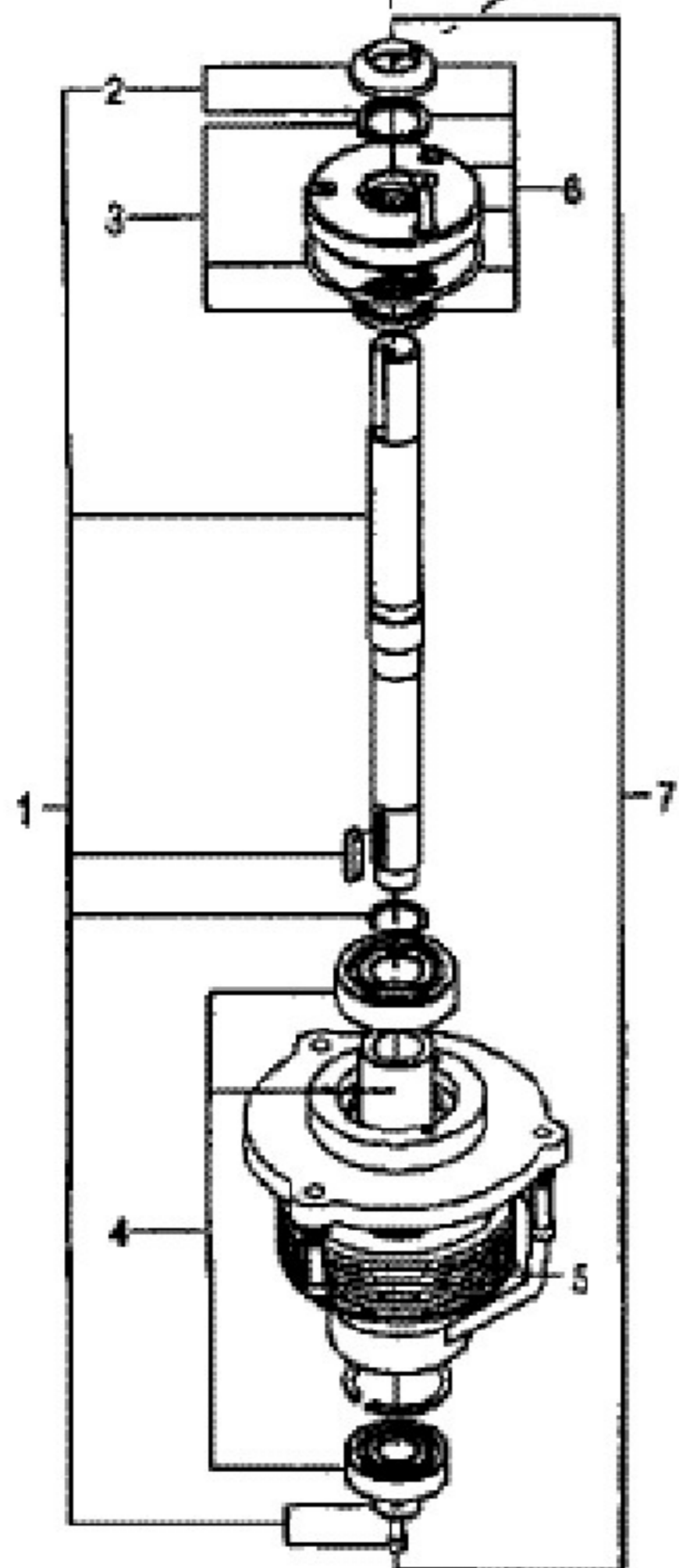
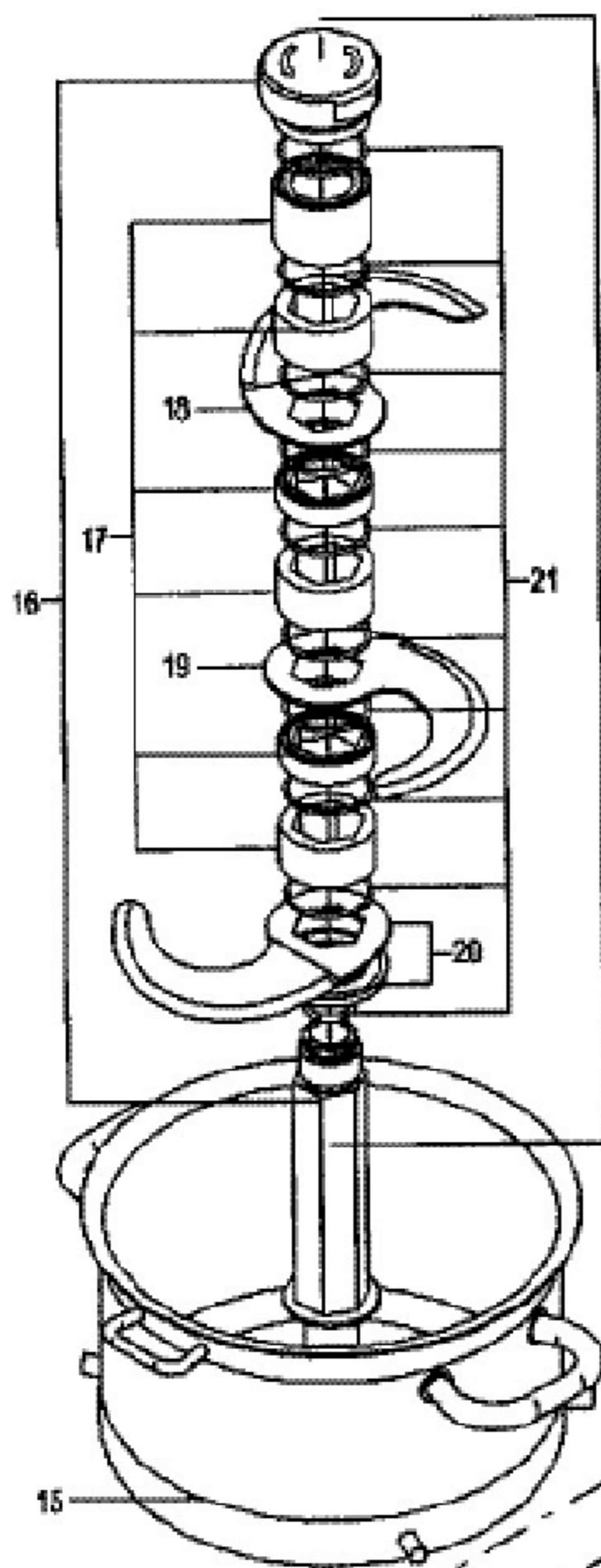




DK112

Edition 20051101-



Pos	Code	Description	Info
001	DK112-Pos.001	Shaft assembly K120	01/11/2005-
002	DK112-Pos.002	Delloclor assembly	01/11/2005-
003	DK112-Pos.003	Set of shaft bearing seals	01/11/2005-
004	DK112-Pos.004	Set of bearings with spacer	01/11/2005-
005	DK112-Pos.005	Driven pulley 50Hz	01/11/2005-
005	DK112-Pos.005	Driven pulley 60Hz	01/11/2005-
006	DK112-Pos.006	Seal cover assembly	01/11/2005-
007	DK112-Pos.007	Shaft bearing assembly K120 - 50Hz	01/11/2005-
008	3242310	Set of 4 feet	01/11/2005-
009	DK112-Pos.009	Base plate	01/11/2005-
010	3089060	Belt V 1016 J12	01/11/2005-
011	DK112-Pos.011	Body	01/11/2005-
012	DK112-Pos.012	Set of 4 bowl clamps assembly	01/11/2005-
013	DK112-Pos.013	Drive pulley K120 - 50Hz	01/11/2005-
013	DK112-Pos.013	Drive pulley K120 - 60Hz	01/11/2005-
014	3025500	3 phase motor assembly 380/415V-50Hz	01/11/2005-
015	DK112-Pos.015	Bowl K120	01/11/2005-
016	DK112-Pos.016	Blade holder with knob K120	01/11/2005-
017	3229430	Set of spacers	01/11/2005-
018	3185850	Upper smooth blade	01/11/2005-
018	3185860	Upper serrated blade	01/11/2005-
020	3185870	Lower smooth blade with seal	01/11/2005-
020	3185880	Lower serrated blade with seal	01/11/2005-
021	DK112-Pos.021	Set of rotor seals	01/11/2005-
022	3187780	Smooth rotor assembly K120	01/11/2005-
022	DK112-Pos.022	Serrated rotor assembly K120	01/11/2005-
023	DK112-Pos.023	Motor housing K120	01/11/2005-
024	3027190	Cover assembly	01/11/2005-
025	DK112-Pos.025	Funnel	01/11/2005-
026	DK112-Pos.026	Cover seal	01/11/2005-
027	3233510	Cover clamp assembly	01/11/2005-
028	DK112-Pos.028	Stop	01/11/2005-
029	DK112-Pos.029	Set of 2 hinge pin assemblies	01/11/2005-
030	DK112-Pos.030	Cover arm assembly	01/11/2005-
031	DK112-Pos.031	Set of 2 hinge bracket assemblies	01/11/2005-
032	DK112-Pos.032	Cam assembly	01/11/2005-
033	DK112-Pos.033	Cover pin assembly	01/11/2005-
034	DK112-Pos.034	Motor cover assembly (without knob)	01/11/2005-
035	DK112-Pos.035	Bag of 4 earth washer	01/11/2005-
036	3049520	Stop push button	01/11/2005-
037	3089020	Speed selector knob	01/11/2005-
038	3089030	Start button	01/11/2005-
039	DK112-Pos.039	Roller microswitch	01/11/2005-
040	3022950	Magnetic detector	01/11/2005-
041	3089040	Contactora 400V-50Hz K120	01/11/2005-
042	DK112-Pos.042	Capacitor 200MF-260V	01/11/2005-
043	3089050	Auxiliary block	01/11/2005-
044	DK112-Pos.044	Component bracket assembly	01/11/2005-
051	DK112-Pos.051	Rod assembly K120	01/11/2005-
052	DK112-Pos.052	Power supply cable assembly	01/11/2005-
053	3022950	Magnetic detector	01/11/2005-