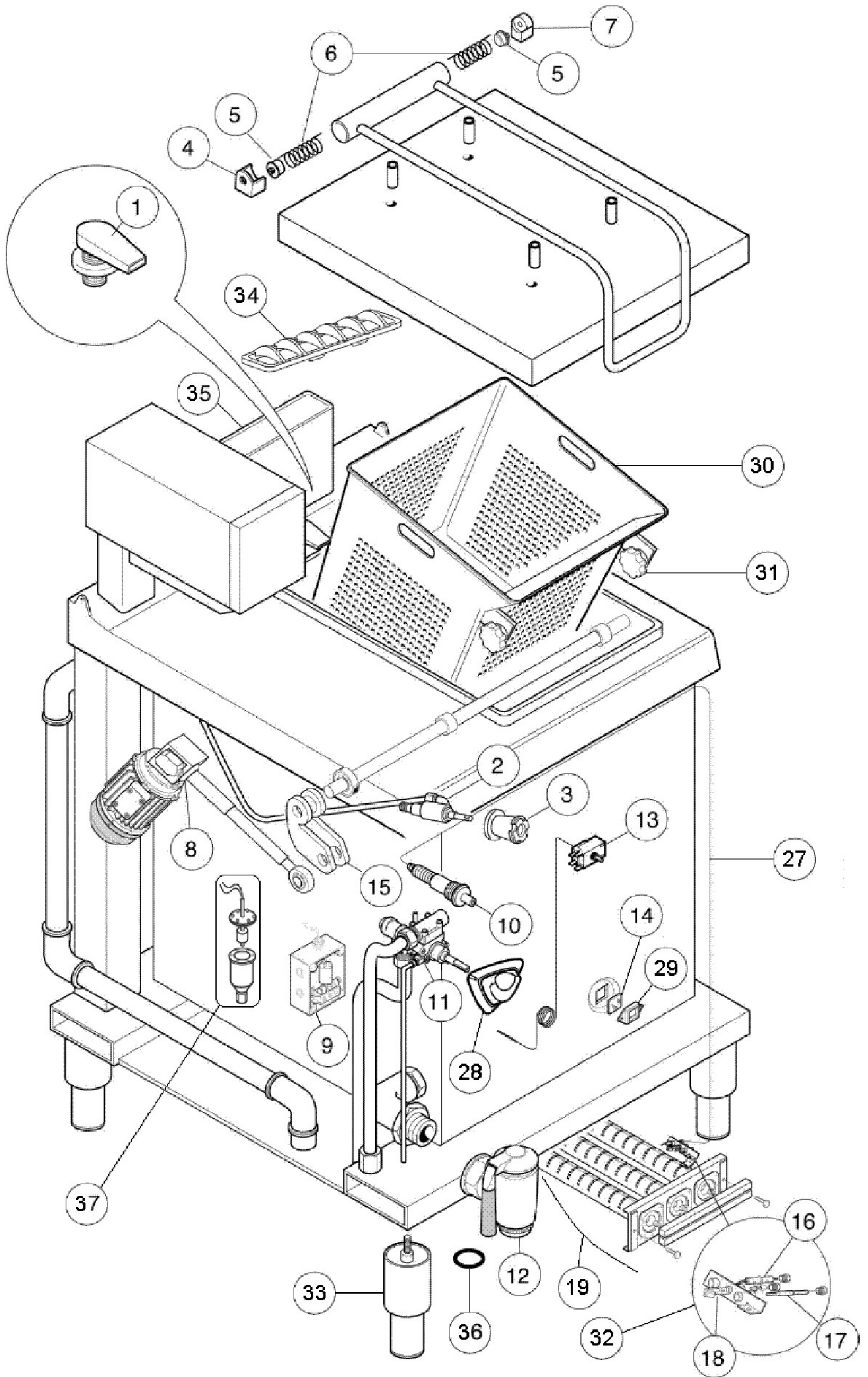
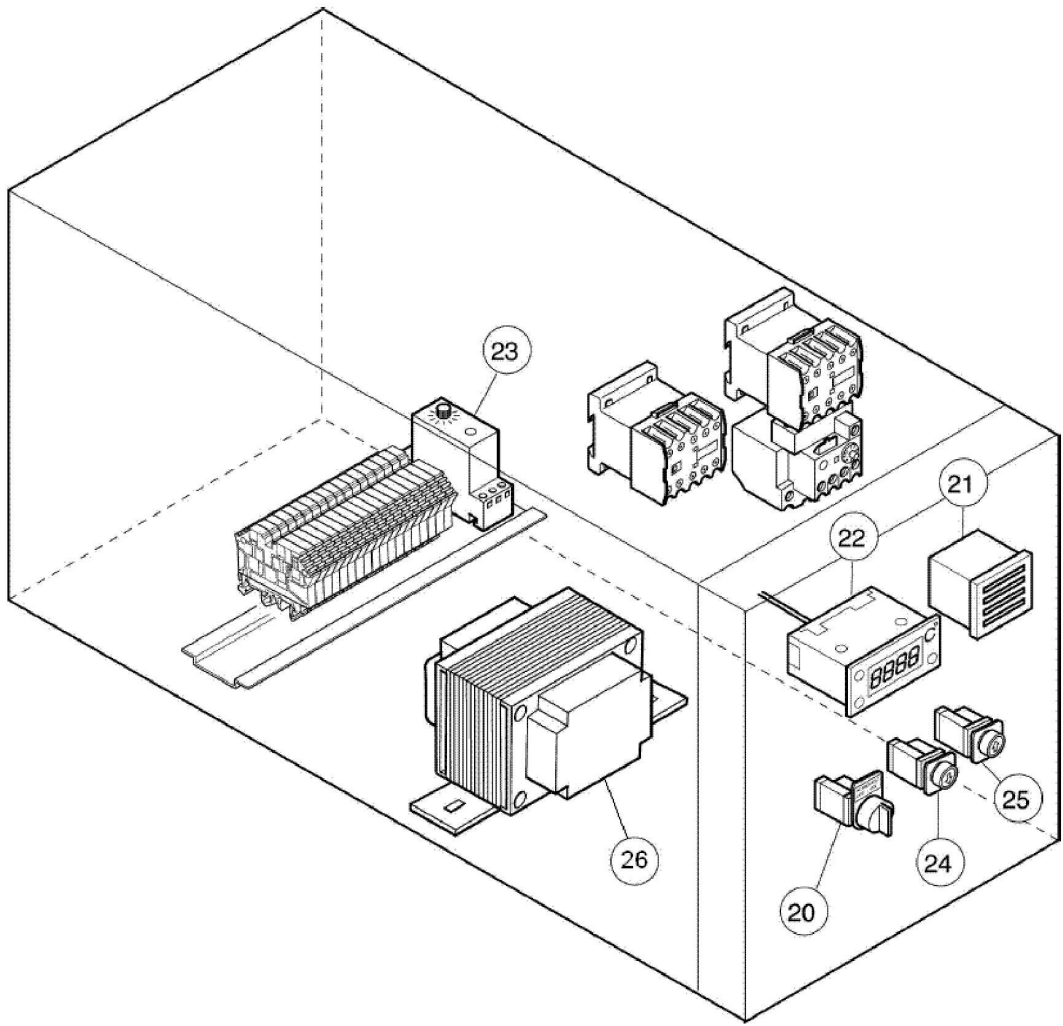




1A1CP1GA

Edition 20100713-





Page	Pos	Code	Description	Info
002	001	3012830	PIPE UNION	01/01/2002-
002	002	33D2040	"COCK 1/2""	01/01/2002-
002	003	36M4030	BLUERING KNOB	01/01/2002-
002	004	1A1CP1GA-Pos.004	LH HINGE SUPPORT	01/01/2002-
002	005	1A1CP1GA-Pos.005	HUB	01/01/2002-
002	006	36H0950	COUPLE HINGE SPRINGS	01/01/2002-
002	007	1A1CP1GA-Pos.007	RH HINGE SUPPORT	01/01/2002-
002	008	3209890	SPEED REDUCER (150mm race)	01/01/2002-
002	008	32M7010	SPEED REDUCER (200mm race)	01/01/2002-
002	009	1A1CP1GA-Pos.009	ELECTRIC BOX ASSEMBLY	01/01/2002-
002	010	3166990	PIEZO IGNITION	13/07/2010-
002	011	33A1530	GAS CONTROL	01/01/2002-
002	012	33D2291	"DRAIN COCK 2""	01/10/2008-
002	013	32V3980	SAFETY THERMOSTAT	01/01/2002-
002	014	37N1420	SPY-HOLE	01/01/2002-
002	015	1A1CP1GA-Pos.015	FORK	01/01/2002-
002	016	32T0320	IGNITION PLUG	01/01/2002-
002	017	33A1880	INTERRUPTED THERMOCOUPLE	01/01/2002-
002	018	33A1720	PILOT BURNER	01/01/2002-
002	019	3108180	3 ELEMENT BURNET ASS.LY	01/01/2002-
002	027	32A0061	CABLE "HF" 1100MM	01/01/2002-
002	028	6300523	DRAIN COCK KNOB	01/01/2002-
002	029	35E1590	FLANGE SUPPORT	01/01/2002-
002	030	1A1CP1GA-Pos.030	BASKET	01/01/2002-
002	031	36M7310	HANDLE	01/01/2002-
002	032	3035040	PILOT BURNER ASS .Y	01/01/2002-
002	033	36C4400	FOOT	01/01/2002-
002	034	36C1310	FLUE GUARD	01/01/2002-
002	035	30Q1520	EXT FLUE ASS. Y	01/01/2002-
002	036	3152331	"OR" GASKET FOR DRAIN COCK 2""	01/01/2002-
002	037	3111810	WATER LEVEL SENSOR	01/01/2002-
003	020	32W1810	SWITCH ON-OFF	01/01/2002-
003	021	1A1CP1GA-Pos.021	BUZZER	01/01/2002-
003	022	32Z8130	TIMER	01/01/2002-
003	023	1A1CP1GA-Pos.023	TIMER	01/01/2002-
003	024	1A1CP1GA-Pos.024	UP BOTTON	01/01/2002-
003	025	1A1CP1GA-Pos.025	DOWN SWITCH	01/01/2002-
003	026	3010120	TRANSFORMER	01/01/2002-