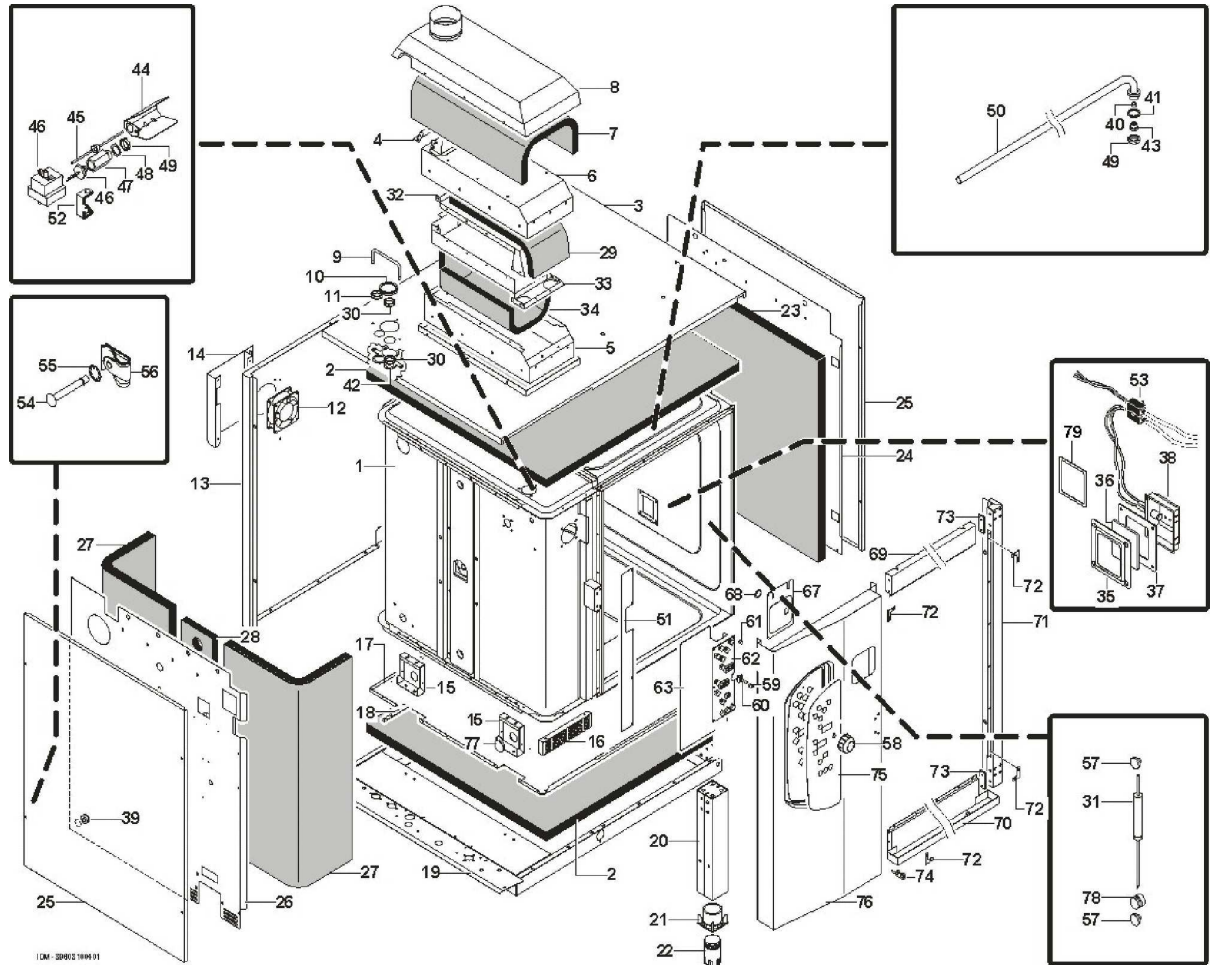
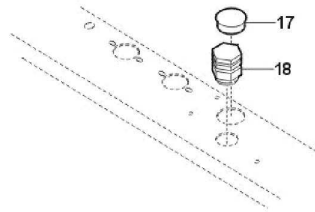
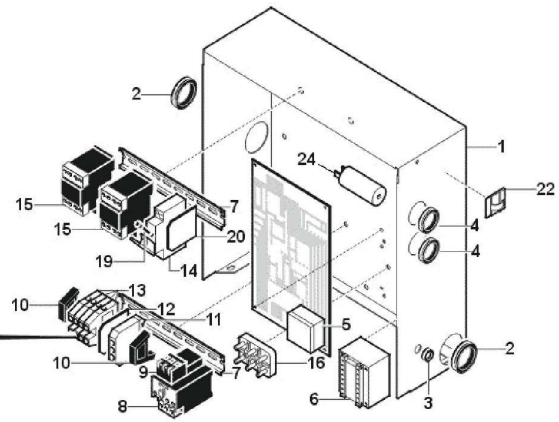
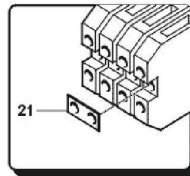
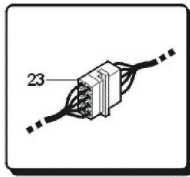


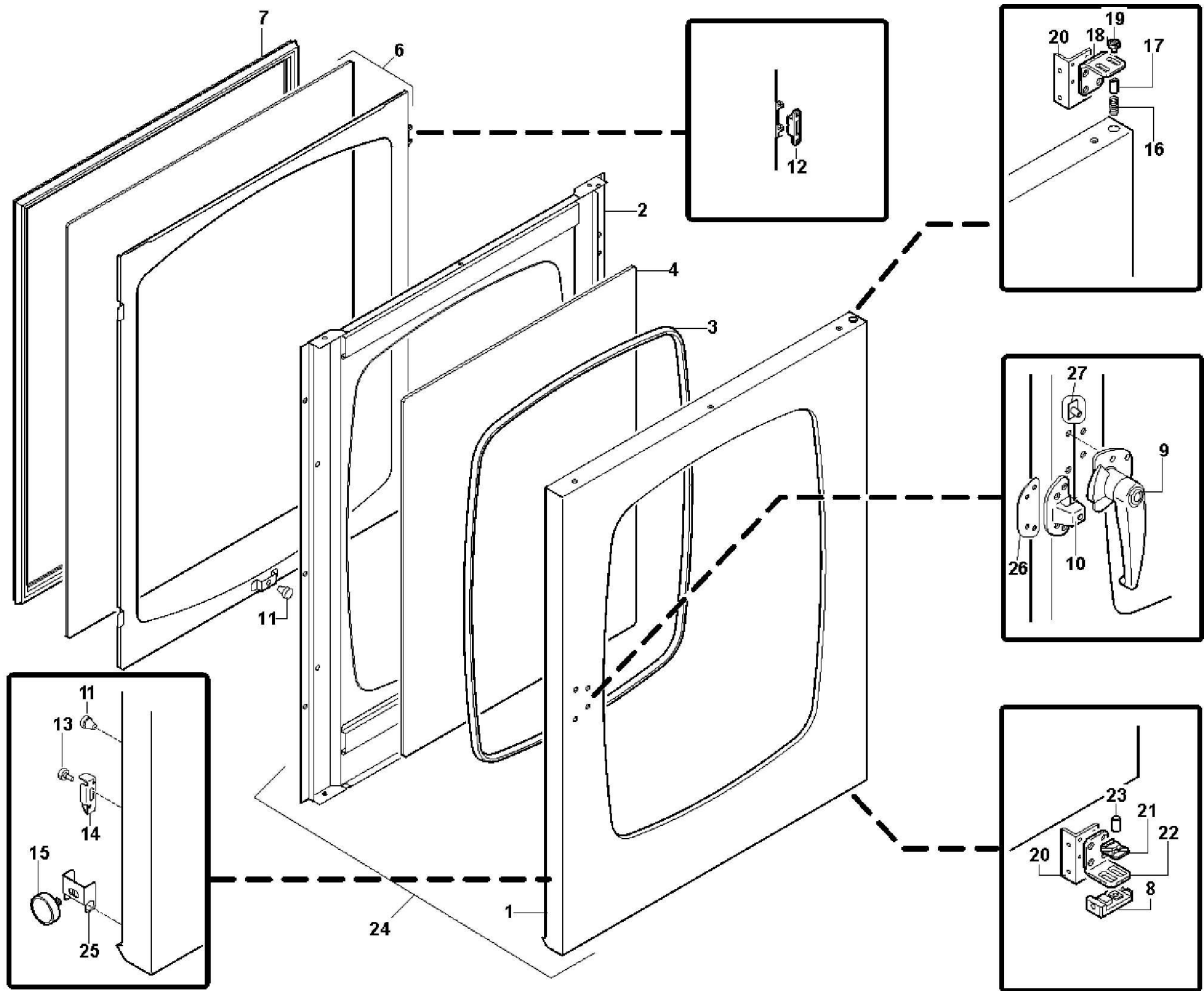


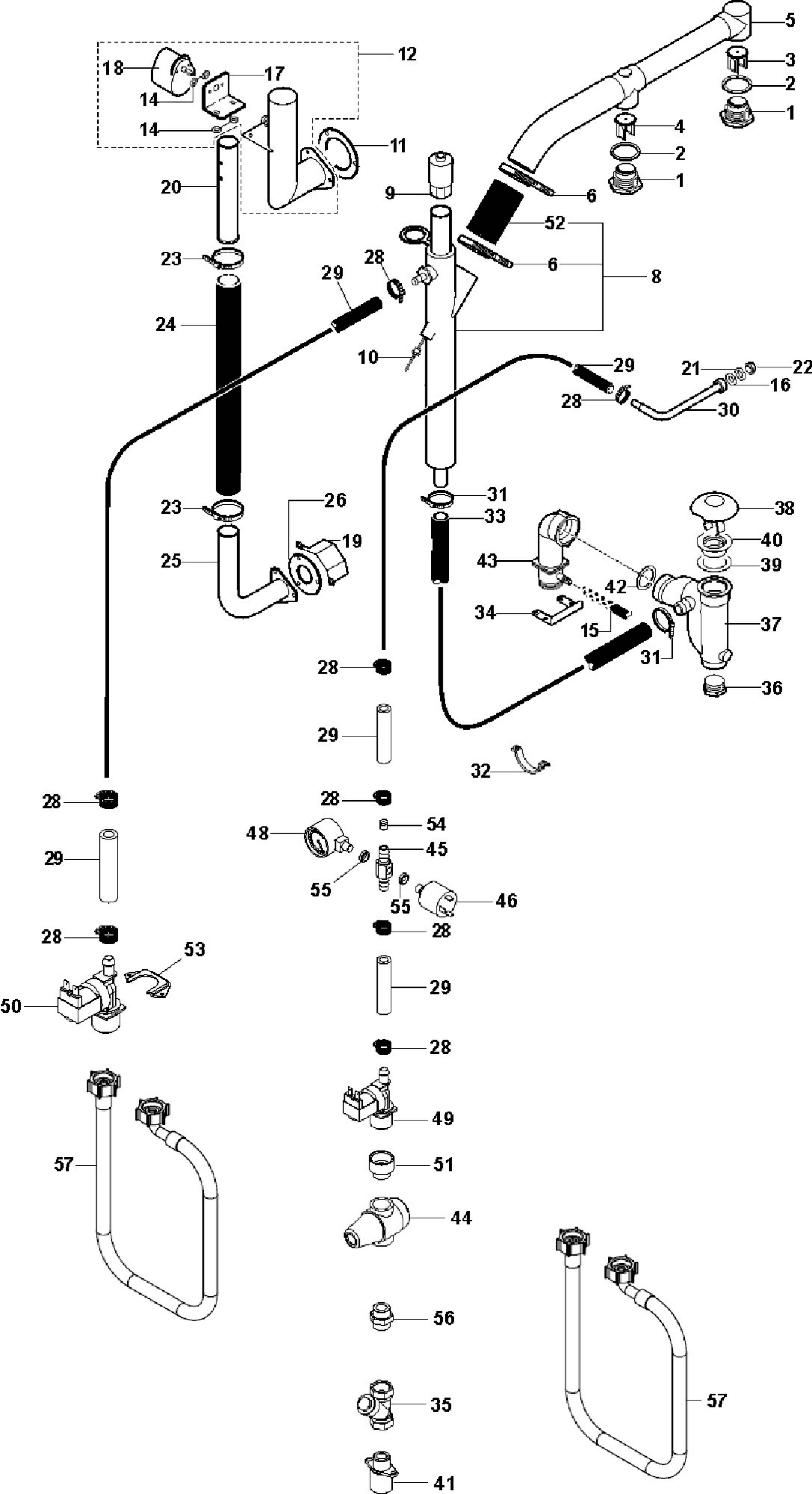
FM1221G2

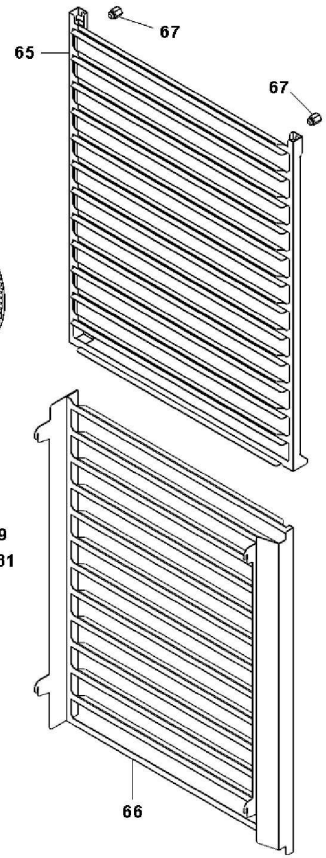
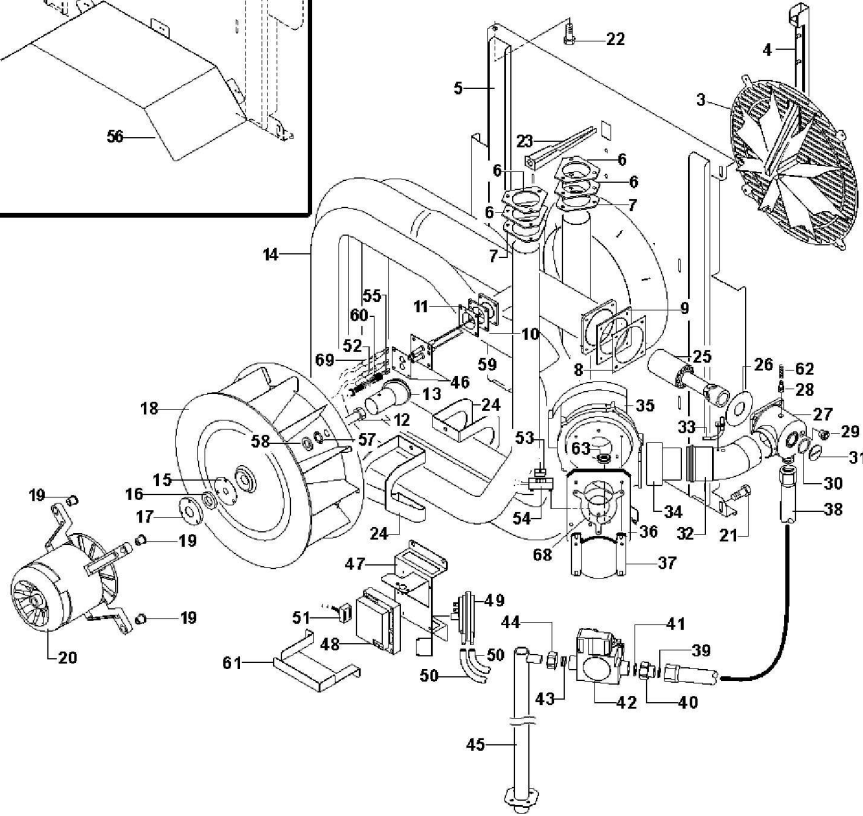
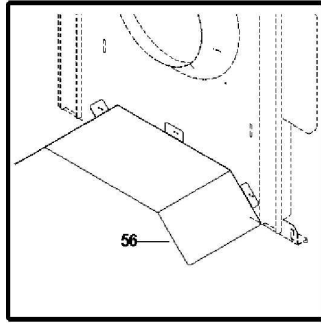
Edition 20150305-











| Page | Pos | Code | Description | Info |
|------|-----|---------|-------------------------------|-------------|
| 002 | 001 | 30Q2621 | COOKING CHAMBER | 22/03/2005- |
| 002 | 002 | 37B2500 | INSULANTING PANEL | 01/12/2003- |
| 002 | 003 | 3032170 | OVEN TOP, COMPLETE | 22/02/2005- |
| 002 | 004 | 35E7610 | FLUE END SECTION | 01/12/2003- |
| 002 | 005 | 35E7640 | FLUE BOTTOM HALF | 01/12/2003- |
| 002 | 006 | 30Q3150 | SOUND REDUC. CONNECT. | 01/12/2003- |
| 002 | 007 | 37B2370 | FLUE INSULATING PANEL | 01/12/2003- |
| 002 | 008 | 30Q3140 | FLUE COVER, COMPLETE | 01/12/2003- |
| 002 | 009 | 35Z3630 | PROTECTION | 01/12/2003- |
| 002 | 010 | 36E3860 | WASHER | 01/12/2003- |
| 002 | 011 | 36E3560 | WASHER | 01/12/2003- |
| 002 | 012 | 32V5790 | FAN 20W 120mm | 21/02/2013- |
| 002 | 013 | 35E3990 | REAR PANEL | 01/12/2003- |
| 002 | 014 | 3213200 | OUT AIR BOX | 02/09/2013- |
| 002 | 015 | 35E3800 | CHAMBER SUPP. | 01/12/2003- |
| 002 | 016 | 35E5360 | PROTECT. CONTR. BOARD | 01/12/2003- |
| 002 | 017 | 35E4920 | BOTTOM INSULATION RETAINER | 01/12/2003- |
| 002 | 018 | 35E3020 | C" RACEWAY FOR LAMP WIRES | 01/12/2003- |
| 002 | 019 | 3032310 | BASE | 22/02/2005- |
| 002 | 020 | 6300742 | ASSEMBLY UP RIGHT | 01/12/2003- |
| 002 | 021 | 36E0600 | FOOT SUPPORT 2" | 01/12/2003- |
| 002 | 022 | 36C3220 | FOOT S/S ASSEMBLY | 01/12/2003- |
| 002 | 023 | 37B2470 | RH ISOLATION PANEL | 01/12/2003- |
| 002 | 024 | 35E4940 | RH INSULATION RETAINER | 01/12/2003- |
| 002 | 025 | 35E4640 | PANEL | 01/12/2003- |
| 002 | 026 | 35E4950 | LH INSULATION RETAINER | 01/12/2003- |
| 002 | 027 | 37B2490 | LSX INSULATING PANEL | 01/12/2003- |
| 002 | 028 | 37B2480 | CSX INSULATING PANEL | 01/12/2003- |
| 002 | 029 | 3011270 | INSULANTING PANEL | 01/12/2003- |
| 002 | 030 | 36E3790 | WASHER | 01/12/2003- |
| 002 | 031 | 3139610 | THERMAL RESISTOR, PT1000 | 01/12/2005- |
| 002 | 032 | 3010810 | SILENCER | 01/12/2003- |
| 002 | 033 | 3010820 | SILENCER | 01/12/2003- |
| 002 | 034 | 3011280 | INSULANTING PANEL | 01/12/2003- |
| 002 | 035 | 3278370 | LAMP GUARD | 14/01/2015- |
| 002 | 036 | 3036962 | GLASS | 07/08/2012- |
| 002 | 037 | 36E3170 | LAMP GASKET | 01/12/2003- |
| 002 | 038 | 32V5570 | LAMP, COMPLETE | 01/12/2003- |
| 002 | 038 | 3030661 | HALOGEN LAMP | 01/12/2014- |
| 002 | 039 | 32X0200 | GROMMET Ø7.5-Ø11.5 | 01/12/2003- |
| 002 | 040 | 3150220 | GASKET | 01/12/2003- |
| 002 | 041 | 3152360 | WASHER 3/8" 3/8" | 01/12/2003- |
| 002 | 042 | 3008660 | Ø22-Ø17.2=1.5 CU/Ni TOP PLATE | 01/12/2003- |
| 002 | 043 | 33Q0730 | CONNECT. | 01/12/2003- |
| 002 | 044 | 35E5880 | THERMORES. PROTECTION | 01/12/2003- |
| 002 | 045 | 32V5750 | THERMAL RESISTOR, PT1000 | 01/12/2003- |
| 002 | 046 | 3111950 | SAFETY THERMOSTAT | 01/01/2005- |
| 002 | 047 | 33Q5630 | CONNECT MF 3/8"- M16 | 01/12/2003- |
| 002 | 048 | 3151441 | WASHER Ø22Ø16.2=1.5 CU | 01/12/2003- |
| 002 | 049 | 36Q1171 | LOCKNUT M16X1.5 | 01/12/2003- |
| 002 | 050 | 30Q3130 | PROBE PIPE ASS. Y | 01/12/2003- |

| Page | Pos | Code | Description | Info |
|------|-----|---------|---------------------------------|-------------|
| 002 | 051 | 35E4930 | FRONT INSULATION RETAINER | 01/12/2003- |
| 002 | 052 | 35E8260 | THERMOSTAT BULB SUPPORT | 01/12/2003- |
| 002 | 053 | 32D1450 | TERMINAL | 01/12/2003- |
| 002 | 054 | 31X0170 | PIN FT Ø6 | 01/12/2003- |
| 002 | 055 | 3188650 | WASHER | 23/11/2010- |
| 002 | 056 | 3170110 | ACCOMODATION Ø6 | 01/12/2003- |
| 002 | 057 | 3004870 | PROBE WIRE RETAINER | 01/12/2003- |
| 002 | 058 | 36H0901 | ENCODER KNOB | 01/01/2006- |
| 002 | 059 | 3170290 | KNOB SPRING | 01/12/2003- |
| 002 | 060 | 32V5580 | ENCODER PIN Ø6-4,5 | 01/12/2003- |
| 002 | 061 | 36C0970 | SPACER | 01/12/2003- |
| 002 | 062 | 3018771 | PCB | 02/09/2004- |
| 002 | 063 | 35E7090 | L GUARD STRIP FOR CIRCUIT BOARD | 01/12/2003- |
| 002 | 067 | 30Q2971 | CONTROL BOARD PANEL | 22/02/2005- |
| 002 | 068 | 37B3050 | INSPECTION WINDOW GUARD | 01/12/2003- |
| 002 | 069 | 3008520 | PLATE | 01/12/2003- |
| 002 | 070 | 3001840 | TRAY ASS.Y | 01/12/2003- |
| 002 | 071 | 35E3730 | SIDE PLATE | 01/12/2003- |
| 002 | 072 | 35E8540 | FRONT CORNER | 01/12/2003- |
| 002 | 073 | 3007150 | ELEMENT PLAT PROFILE | 01/12/2003- |
| 002 | 074 | 32V5740 | MAGNETIC MICROSWITCH | 01/12/2003- |
| 002 | 075 | 3018790 | DASHBOARD | 18/03/2004- |
| 002 | 076 | 3032140 | CONTROL PANEL | 22/02/2005- |
| 002 | 077 | 36Q0380 | PLUG Ø38 | 01/12/2003- |
| 002 | 078 | 3009231 | SUPP. PROBE | 01/12/2003- |
| 003 | 001 | 35E3980 | EL. BOARD | 01/12/2003- |
| 003 | 002 | 32X0130 | GROMMET Ø29-Ø37 | 01/12/2003- |
| 003 | 003 | 32X0200 | GROMMET Ø7.5-Ø11.5 | 01/12/2003- |
| 003 | 004 | 32X0120 | GROMMETØ 21 | 01/12/2003- |
| 003 | 005 | 32V5361 | PCB | 01/04/2007- |
| 003 | 006 | 32V5930 | TRANSFORMER | 01/12/2003- |
| 003 | 007 | 32D0630 | "OMEGA" BRACKET | 01/12/2003- |
| 003 | 008 | 32Z0950 | RELAY 2-3.3A | 01/12/2003- |
| 003 | 009 | 32Z7170 | INDEP. ASSEMBLY | 01/12/2003- |
| 003 | 010 | 32D0870 | SUPPORT TERMINAL CLAMP | 01/12/2003- |
| 003 | 011 | 3005850 | GROUND TERMINAL | 01/12/2003- |
| 003 | 012 | 3005840 | TERMINAL END COVER | 01/12/2003- |
| 003 | 013 | 3005830 | LIVE TERMINAL | 01/12/2003- |
| 003 | 014 | 32D1730 | FUSE TERMINAL BOARD | 01/12/2003- |
| 003 | 015 | 3100940 | RELAY BF09 230V- 50/60Hz-25(9)A | 08/11/2010- |
| 003 | 016 | 32D0030 | TERMINAL BOARD | 01/12/2003- |
| 003 | 017 | 36Q1950 | HOLE PLUG | 01/12/2003- |
| 003 | 018 | 32D1770 | FAIRLEAD | 01/12/2003- |
| 003 | 019 | 3200060 | FUSE | 01/12/2003- |
| 003 | 020 | 32D1740 | TERMINAL | 01/12/2003- |
| 003 | 021 | 3005860 | CONNECTOR | 01/12/2003- |
| 003 | 022 | 32X0380 | ADHESIVE PLATE | 01/12/2003- |
| 003 | 023 | 32V6230 | 8-WAY FASTON INSULATING BLOCK | 01/12/2003- |
| 003 | 024 | 32V5980 | CONDENSER 35 microF/420V | 03/11/2004- |
| 004 | 001 | 30Q2581 | OVEN DOOR | 14/02/2008- |
| 004 | 002 | 30Q2590 | OVEN COUNTER DOOR | 01/12/2003- |

| Page | Pos | Code | Description | Info |
|------|-----|---------|--------------------------------------|-------------|
| 004 | 003 | 36E3480 | EXTERNAL GLASS GASKET | 01/12/2003- |
| 004 | 004 | 36E3490 | DOOR OUTSIDE GLASS | 01/12/2003- |
| 004 | 005 | 0000000 | | 29/03/2007- |
| 004 | 006 | 6023110 | INSIDE MOVING GLASS + FRAME FO | 29/03/2007- |
| 004 | 007 | 36E3521 | FRONT GASKET | 30/09/2004- |
| 004 | 008 | 3003460 | HINGE BRACKET | 01/12/2003- |
| 004 | 009 | 36E2570 | WEDGE LOCK | 01/12/2003- |
| 004 | 010 | 36E2581 | LOCK UNIT | 21/07/2009- |
| 004 | 011 | 36E2781 | DOOR GUARD | 07/09/2011- |
| 004 | 012 | 36E2820 | MALE HALF HINGE | 01/12/2003- |
| 004 | 013 | 36H0920 | FRAME PIN | 01/12/2003- |
| 004 | 014 | 35E2850 | FRAME RETAINER JOINT | 01/12/2003- |
| 004 | 015 | 3008810 | MAGNET | 01/12/2003- |
| 004 | 016 | 36G5320 | SPRING | 01/12/2003- |
| 004 | 017 | 36D7062 | PIN | 01/12/2003- |
| 004 | 018 | 36E2680 | DOOR TOP HINGE | 01/12/2003- |
| 004 | 019 | 3190020 | SCREW M6X10 | 01/12/2003- |
| 004 | 020 | 35E7310 | SMALL PLATE | 01/12/2003- |
| 004 | 021 | 36E2660 | BOTTOM DOOR SUPPORT | 01/12/2003- |
| 004 | 022 | 36E2670 | DOOR BOTTOM HINGE | 01/12/2003- |
| 004 | 023 | 3003470 | BOTTOM HINGE BUSHING | 01/12/2003- |
| 004 | 024 | 6300635 | OVEN DOOR ASS. Y | 29/03/2007- |
| 004 | 025 | 3008800 | PROFILE "C" | 01/12/2003- |
| 004 | 026 | 3019510 | SPACER | 30/09/2004- |
| 004 | 027 | 6300843 | PLASTIC INSERT LOCK | 01/12/2003- |
| 005 | 001 | 33Q5410 | VALVE CONNECTOR | 01/12/2003- |
| 005 | 002 | 3151450 | WASHER | 01/12/2003- |
| 005 | 003 | 6002930 | COUNTERWEIGHT, SINGLE | 01/12/2003- |
| 005 | 004 | 6002940 | COUNTERWEIGHT, DOUBLE | 01/12/2003- |
| 005 | 005 | 30Z3220 | HORIZONTAL EXHAUST PIPE | 01/12/2003- |
| 005 | 006 | 3140160 | CLAMP Ø55 Ø70 | 01/12/2003- |
| 005 | 008 | 6017060 | CONDENSATION DRAIN UNIT | 01/10/2004- |
| 005 | 009 | 33Q5980 | SOUND REDUC. CONNECTOR | 01/12/2003- |
| 005 | 010 | 32V5760 | THERMAL RESISTOR, PT1000 | 01/12/2003- |
| 005 | 011 | 36E3000 | BUTTERFLY VALVE GASKET | 01/12/2003- |
| 005 | 012 | 6002620 | BUTTERFLY VALVE UNIT | 01/12/2003- |
| 005 | 014 | 3150510 | RING | 01/12/2003- |
| 005 | 015 | 3016270 | MESH-REINFORCED PVC HOSE Ø12 | 26/01/2004- |
| 005 | 016 | 3151441 | WASHER Ø22Ø16.2=1.5 CU | 01/12/2003- |
| 005 | 017 | 35E6190 | L BRACKET | 01/12/2003- |
| 005 | 018 | 32V5780 | CYCLE PROGRAMMER | 01/12/2003- |
| 005 | 019 | 35E6850 | EXTRACTION GUARD | 01/12/2003- |
| 005 | 020 | 6002920 | EXTRACTION UNIT | 01/12/2003- |
| 005 | 021 | 3152360 | WASHER 3/8" 3/8" Ø22-Ø17.2=1.5 CU/NI | 01/12/2003- |
| 005 | 022 | 36Q1171 | LOCKNUT M16X1.5 | 01/12/2003- |
| 005 | 023 | 3140300 | HOSE CLAMP | 01/12/2003- |
| 005 | 024 | 131AA29 | RUBBER HOSE | 01/12/2003- |
| 005 | 025 | 30Z2930 | BOTTOM EXTRACTION PIPE | 01/12/2003- |
| 005 | 026 | 36E3010 | EXTRACTION GASKET | 01/12/2003- |
| 005 | 028 | 3140230 | 12/20 PIPE CLAMP | 01/12/2003- |
| 005 | 029 | 131AA12 | RUBBER HOSEØ17Ø10 X H²O | 01/10/2004- |

| Page | Pos | Code | Description | Info |
|------|-----|---------|---------------------------------|-------------|
| 005 | 030 | 30Z2050 | PIPE AISI304 Ø12- 159X77 | 01/12/2003- |
| 005 | 031 | 3140220 | PIPE CLAMP | 01/12/2003- |
| 005 | 032 | 3140060 | PIPE SUPPORT Ø 28 | 01/12/2003- |
| 005 | 033 | 111AA05 | RUBBER HOSE Ø30 Ø20 | 01/12/2003- |
| 005 | 034 | 35E5060 | INTERNAL EXHAUST PIPE SUPPORT | 01/12/2003- |
| 005 | 035 | 3012660 | H2O FILTER 1/2" | 01/10/2004- |
| 005 | 036 | 36E3040 | "M""1"" PLUG" | 01/12/2003- |
| 005 | 037 | 36A5020 | DRAIN TRAP | 01/12/2003- |
| 005 | 038 | 3278360 | FILTER | 13/02/2015- |
| 005 | 039 | 3045960 | GASKET | 06/04/2005- |
| 005 | 040 | 36A3401 | ENTRY CONNECTOR | 04/12/2013- |
| 005 | 041 | 33Q5641 | H2O | 01/10/2004- |
| 005 | 042 | 36E3320 | SIPHON GASKET | 01/12/2003- |
| 005 | 043 | 30Z3001 | EXHAUST UNION, COMPLETE | 26/01/2004- |
| 005 | 044 | 33D1650 | "PRES. REDUC. VAL. F-F Ø 1/2"" | 01/10/2004- |
| 005 | 045 | 3032880 | CONNECTOR | 01/10/2004- |
| 005 | 046 | 3041830 | PRESSURESTAT | 01/10/2004- |
| 005 | 048 | 33D1680 | MANOMETRE 0-40BAR M1/8 | 01/10/2004- |
| 005 | 049 | 3032680 | "SOLENOID VALVE 3/4"" 1IN-1OUT" | 01/10/2004- |
| 005 | 050 | 3032680 | "SOLENOID VALVE 3/4"" 1IN-1OUT" | 01/10/2004- |
| 005 | 051 | 33Q5650 | SOCKET F3/4 M1/2 Ø30X25 | 01/10/2004- |
| 005 | 052 | 111AA08 | RUBBER HOSE Ø60 Ø50 | 01/12/2003- |
| 005 | 053 | 3032690 | BRACKET | 01/10/2004- |
| 005 | 054 | 3032950 | JET | 01/10/2004- |
| 005 | 055 | 3032900 | SPACER | 01/10/2004- |
| 005 | 056 | 3003390 | "NIPPLE M 1/2"" | 01/10/2004- |
| 005 | 057 | 33M0350 | PIPE | 10/10/2004- |
| 006 | 003 | 3003151 | SCREEN GRILLE | 16/11/2007- |
| 006 | 004 | 30Q2690 | END PIPE, COMPLETE | 01/12/2003- |
| 006 | 005 | 3003191 | CHAMBER AIR GUIDE | 22/03/2005- |
| 006 | 006 | 36E3570 | OUTLET FLANGE GASKET | 01/12/2003- |
| 006 | 007 | 3031050 | TOP FLANGE | 15/07/2004- |
| 006 | 008 | 36E3770 | COMBUSTION CHAMBER GASKET | 01/12/2003- |
| 006 | 009 | 36E3390 | COMBUSTION CHAMBER GASKET | 01/12/2003- |
| 006 | 010 | 36E3400 | IGNITION PLUG FLANGE GASKET | 01/12/2003- |
| 006 | 011 | 36E3780 | IGNITION PLUG FLANGE GASKET | 01/12/2003- |
| 006 | 012 | 3016470 | SCREW M10X35 | 01/12/2003- |
| 006 | 013 | 3004791 | DIFFUSER | 01/12/2003- |
| 006 | 014 | 30Z2812 | HEAT EXCHANGER ASS.Y | 26/01/2010- |
| 006 | 015 | 37Q0250 | GASKET | 01/12/2003- |
| 006 | 016 | 3004400 | GASKET | 01/12/2003- |
| 006 | 017 | 36E3160 | RING GASKET SUPPORT | 01/12/2003- |
| 006 | 018 | 32M6761 | FAN | 01/12/2003- |
| 006 | 019 | 36H0890 | BUSHING | 01/12/2003- |
| 006 | 020 | 32M6722 | MOTOR LEVEL 1-2 | 01/12/2003- |
| 006 | 020 | 3020300 | MOTOR 0.75KW-230V LEVEL 3 | 01/06/2005- |
| 006 | 021 | 3190020 | SCREW M6X10 | 01/12/2003- |
| 006 | 022 | 3190040 | SCREW M6X20 | 01/12/2003- |
| 006 | 023 | 35Y3260 | WATER INTAKE JOINT | 01/12/2003- |
| 006 | 024 | 3001990 | EXCHANGER BRACKET | 01/12/2003- |
| 006 | 025 | 3010710 | BURNER | 01/12/2003- |

| Page | Pos | Code | Description | Info |
|------|-----|---------|--|-------------|
| 006 | 026 | 3011630 | DISPENSER DIAPHRAGM | 01/12/2003- |
| 006 | 027 | 36U0760 | AIR-GAS DISTRIBUTOR | 01/12/2003- |
| 006 | 028 | 33A2060 | "PRESSURE TEST POINT, 1/8"" | 01/12/2003- |
| 006 | 029 | 36E3960 | FLAME INSPECTION WINDOW | 01/12/2003- |
| 006 | 030 | 3150690 | "O" RING | 01/12/2003- |
| 006 | 031 | 33Q4760 | INJECTOR PLUG | 01/12/2003- |
| 006 | 032 | 6300898 | AIR PIPE ASS.Y | 01/12/2003- |
| 006 | 033 | 35Z6150 | PRESSURE TEST POINT PIPE | 01/12/2003- |
| 006 | 034 | 33Q5271 | FAN MANIFOLD | 10/10/2007- |
| 006 | 035 | 32V6840 | AIR FAN - MVL RG130/0800-3612/ | 01/12/2003- |
| 006 | 036 | 35E4770 | FAN SUPPORT | 01/12/2003- |
| 006 | 037 | 3010670 | EXTRACTION GUARD | 01/12/2003- |
| 006 | 038 | 35Z5870 | BURNER PIPE | 01/12/2003- |
| 006 | 039 | 36E3610 | WASHER | 01/12/2003- |
| 006 | 040 | 3215030 | SLEEVE F3/4 M1/2 | 14/06/2013- |
| 006 | 041 | 36E3600 | WASHER | 01/12/2003- |
| 006 | 042 | 3011580 | VALVE, SIGMA SIT. 840 | 01/12/2003- |
| 006 | 043 | 36Q1820 | OGIVAL GASKET, 16 | 01/12/2003- |
| 006 | 044 | 33Q4830 | "OGIVAL RETAINER UNION 3/4"" \varnothing 16" | 01/12/2003- |
| 006 | 045 | 30Z3500 | GAS MANIFOLD | 01/12/2003- |
| 006 | 046 | 6300568 | IGNITION PLUG KIT | 01/12/2003- |
| 006 | 047 | 3034010 | SUPPORTING ELEM. | 17/12/2004- |
| 006 | 048 | 32V5851 | COMBUSTION CONTROL | 30/11/2005- |
| 006 | 049 | 6300569 | HUBA AIR PRESSURE- SWITCH ASS.Y | 17/12/2004- |
| 006 | 050 | 3029260 | PIPE | 17/06/2004- |
| 006 | 051 | 32V6590 | LC FILTER 250V-6.5A | 01/12/2003- |
| 006 | 052 | 3113490 | IONISATION CABLE | 04/06/2007- |
| 006 | 053 | 32V6630 | 550MM RELAY 230V 50/60Hz | 01/12/2003- |
| 006 | 054 | 32V6620 | RELAY + SPRING PLINTH | 01/12/2003- |
| 006 | 055 | 32V5910 | IGNITION CABLE 500MM | 01/12/2003- |
| 006 | 056 | 3003160 | BRIDGE DEFLECTOR | 01/12/2003- |
| 006 | 057 | 3014810 | WASHER \varnothing 30 \varnothing 10.5=2.5 | 01/12/2003- |
| 006 | 058 | 3019001 | WASHER | 26/10/2004- |
| 006 | 060 | 3243280 | SILICONE HOSE \varnothing 10 \varnothing 16 (M.U.= mt) | 10/07/2013- |
| 006 | 061 | 3008731 | PCB GUARD | 14/10/2004- |
| 006 | 062 | 36G5320 | SPRING | 01/12/2003- |
| 006 | 063 | 32X0140 | GROMMET \varnothing 13,5- \varnothing 25 | 01/12/2003- |
| 006 | 064 | 6003060 | FAN EXTRACTOR KIT | 01/12/2003- |
| 006 | 065 | 3281500 | RH FRAME ASS. Y | 05/03/2015- |
| 006 | 066 | 3281510 | LH TRAY HOLDER | 05/03/2015- |
| 006 | 067 | 3278380 | M6 TRAY HOLDER PIN | 11/02/2015- |
| 006 | 068 | 3060860 | FAN DIAPHRAGM \varnothing 40 | 13/09/2005- |
| 006 | 069 | 3113480 | GROUND CABLE 600MM | 04/06/2007- |
| 006 | 070 | 3188170 | 230V-50Hz SOLENOID VALVE COIL | 01/12/2003- |
| 006 | 070 | 3188180 | 220V-60Hz SOLENOID VALVE COIL | 01/12/2003- |