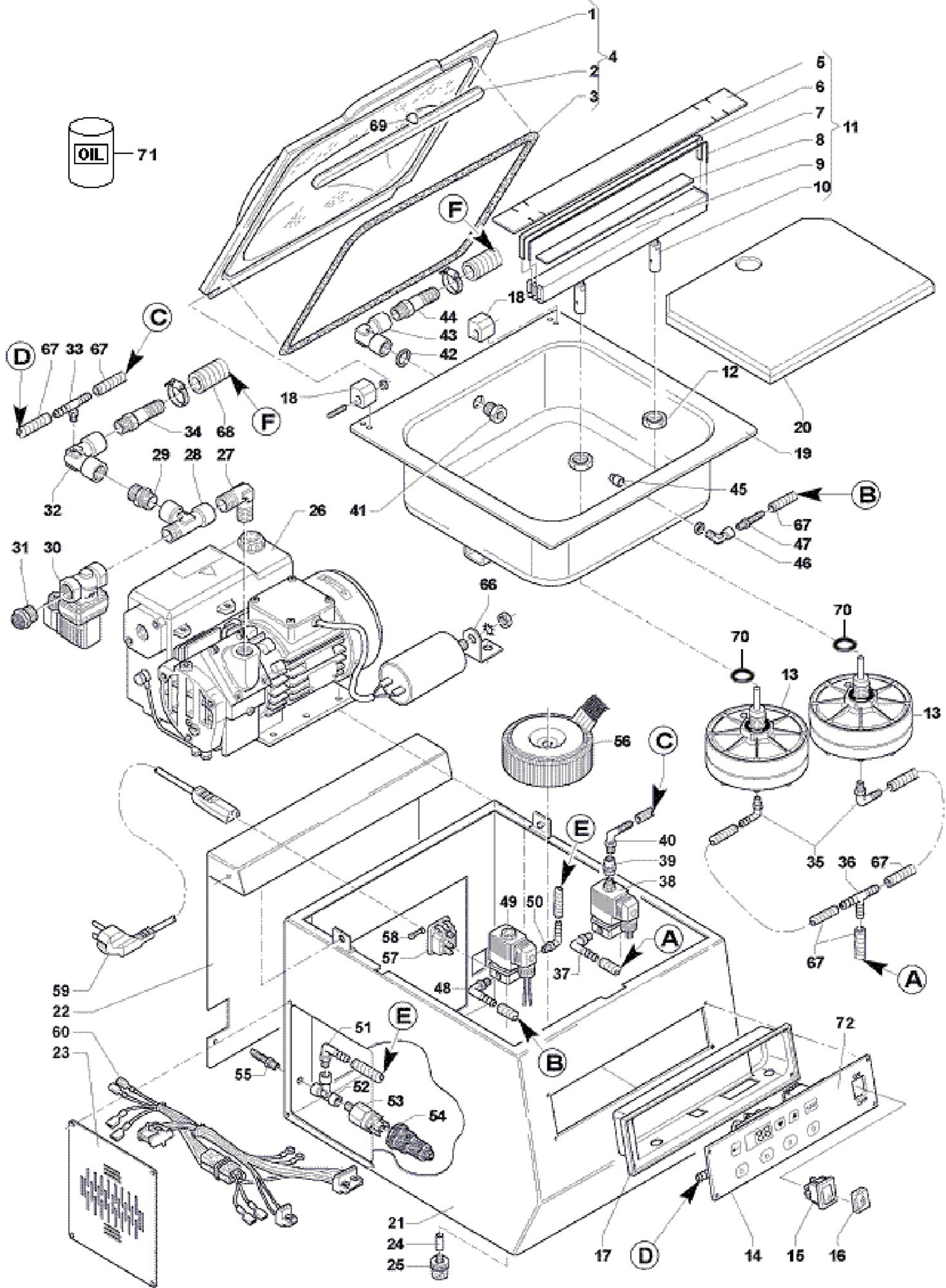




**MS1**

**Edition 20060501-**







Pos	Code	Description	Info
001	3066740	COVER	01/04/2004-
002	3121220	SILICONE TRIM	01/04/2004-
003	3061500	GASKET	01/04/2004-
004	3066730	COVER ASSEMBLY	01/04/2004-
005	3041840	TEFLON ASSEMBLY	01/04/2004-
006	3070100	MELTING BAR	01/04/2004-
007	3048010	CUTTING WIRE	01/04/2004-
008	3070110	FLANGE	01/04/2004-
009	3108080	MELTING BAR	01/04/2004-
010	3191590	MULTICONTACT BUSHING	01/04/2004-
011	3037700	MELTING BAR ASS.Y	01/04/2004-
012	3273180	Lock nut 1/2"	01/04/2004-
013	3022240	DIAPHTAGM ASSEMBLY	01/05/2006-
014	3022570	PCB 220V	01/04/2004-
015	3077320	SWITCH	01/04/2004-
016	3182990	HEAT. ELEM. PROTECTION	01/04/2004-
017	MS1-Pos.017	PCB GUARD	01/04/2004-
018	3217160	HINGE ASSEMBLY	01/04/2004-
019	MS1-Pos.019	TANK	01/04/2004-
020	MS1-Pos.020	FILLING TABLET 310X230X25	01/04/2004-
021	MS1-Pos.021	HOUSING	01/04/2004-
022	MS1-Pos.022	REAR PANEL	01/04/2004-
023	MS1-Pos.023	BIN DOOR	01/04/2004-
024	3227300	SPACER	01/04/2004-
025	3227310	FOOT	01/04/2004-
026	3025680	PUMP	01/04/2004-
027	MS1-Pos.027	L" JOINT 1/2"	01/04/2004-
028	MS1-Pos.028	T" JOINT 1/2"	01/04/2004-
029	3275000	NIPPLE 1/2"	01/04/2004-
030	3272930	AIR RETURN VALVE	01/04/2004-
031	MS1-Pos.031	SILENCER	01/04/2004-
032	3275030	L" JOINT 1/2"	01/04/2004-
033	3275010	T" JOINT Ø6-1/8"	01/04/2004-
034	3275020	HOSE SUPPORT 1/2" x Ø20	01/04/2004-
035	3203220	Curved union Ø6-1/8"	01/04/2004-
036	MS1-Pos.036	T" JOINT	01/04/2004-
037	3203220	Curved union Ø6-1/8"	01/04/2004-
038	3271160	MELTING VALVE	01/04/2004-
039	MS1-Pos.039	SLEEVE	01/04/2004-
040	3203220	Curved union Ø6-1/8"	01/04/2004-
041	MS1-Pos.041	M.F. REDUCTION	01/04/2004-
042	MS1-Pos.042	WASHER	01/04/2004-
043	3274970	L" JOINT 1/2"	01/04/2004-
044	3275020	HOSE SUPPORT 1/2" x Ø20	01/04/2004-
045	MS1-Pos.045	NOZZLE	01/04/2004-
046	MS1-Pos.046	L" JOINT 1/8"	01/04/2004-
047	3274040	JOINT Ø6-1/8"	01/04/2004-
048	3203220	Curved union Ø6-1/8"	01/04/2004-
049	3271170	GAS VALVE	01/04/2004-
050	3203220	Curved union Ø6-1/8"	01/04/2004-
051	3203220	Curved union Ø6-1/8"	01/04/2004-

Pos	Code	Description	Info
052	3275040	T" JOINT 1/8"	01/04/2004-
053	3024350	PRESSURE-SWITCH	01/04/2004-
054	3184370	HEAT. ELEM. PROTECTION	01/04/2004-
055	MS1-Pos.055	HOSE SUPPORT	01/04/2004-
056	3024370	TRANSFORMER	01/04/2004-
057	3184360	TERMINAL BOARD	01/04/2004-
058	MS1-Pos.058	FUSE 5X20 T12A 220V	01/04/2004-
059	MS1-Pos.059	POWER SUPPLY CABLE	01/04/2004-
060	MS1-Pos.060	CABLE ASS.Y	01/04/2004-
066	MS1-Pos.066	L BRACKET	01/04/2004-
067	3245050	Armovinpress tube x foodstuffs $\varnothing$ 6x2,5	01/04/2004-
068	3273780	ARMOVINPRESS PIPE $\varnothing$ 20x2,5	01/04/2004-
069	3212960	BAG HOLDER RUBBER	01/04/2004-
070	3173830	Gasket OR 4106	01/04/2004-
071	3114430	OIL VG032 (1 LT)	01/04/2004-
072	3226250	Speed plate	01/04/2004-