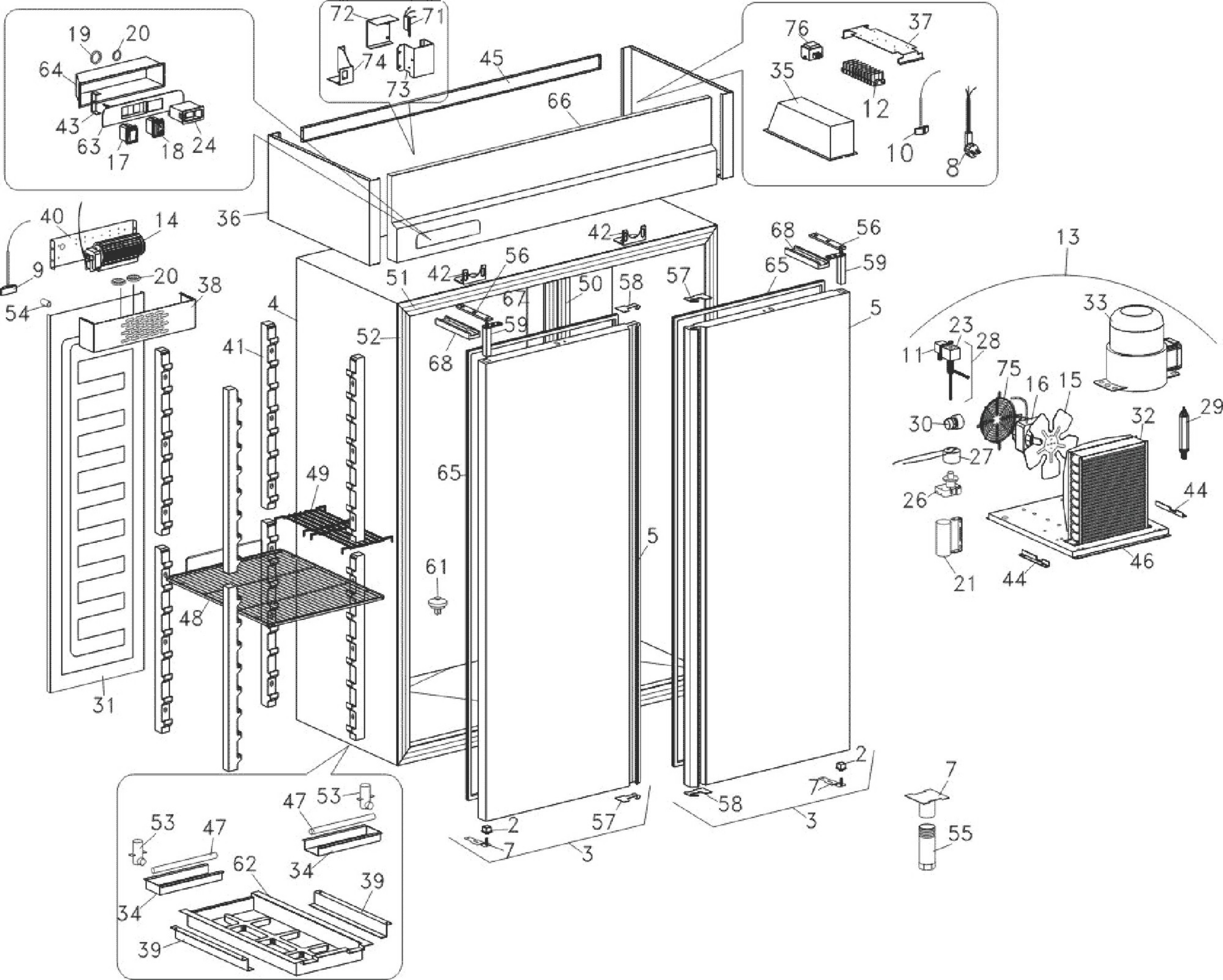




**120**

**Edition 20030709-**







Pos	Code	Description	Info
002	3178300	PLUG	01/01/1996-
003	6011950	DOOR UNIT	15/12/2001-
004	40K6360	BODY	01/01/1996-
005	30F1000	FRIDGE DOOR	15/12/2001-
006	3AT1150	FOOT HOUSING	10/03/1997-
007	30T5810	BOTTOM BRACKET	01/01/1996-
008	32A2200	POWER SUPPLY CABLE	16/05/1997-
009	36Z0490	ENGINE CUTOUT	18/11/1999-
010	32D0020	CABLE CLAMP Ø 4 - 12	18/11/1999-
011	32D0710	THREE-POLE CONNECTOR	01/01/1996-
012	32D0740	TERMINAL BOARD	18/11/1999-
013	34D7550	MOTOR UNIT	11/06/1999-
014	32M5920	TANGENTIAL FAN	23/11/1998-
015	32M1080	FAN	11/06/1999-
016	32M4041	MOTOR	20/11/1996-
017	32W2331	BIPOLAR SWITCH	01/01/1996-
018	32W3190	PILOT-LIGHT 1-POLE	01/01/1996-
019	32X0120	SWITCH GROMMETØ 21	01/01/1996-
020	32X0140	GROMMET Ø13,5-Ø25	01/01/1996-
021	32V1490	CONDENSER	11/06/1999-
023	32Z2750	COIL	01/01/1996-
024	32V3630	DIGITAL THERMOREGULATOR	18/11/1999-
026	32V1260	RELAY	11/06/1999-
027	32V1410	ENGINE CUTOU	11/06/1999-
028	33A0510	DEFROST SOL. VALVE	01/01/1996-
029	33A0180	FILTER	01/01/1996-
030	33A1200	AUXIL.VALVE	01/01/1996-
031	34D0360	ROLL BOND EVAP. 1335 X 430	01/01/1996-
032	34D7300	CONDENSER	11/06/1999-
033	34D6520	COMPRESSOR	11/06/1999-
034	35D7340	DRAIN GUARD	01/01/1996-
035	36E0980	PANEL-BOARD COVER	18/11/1999-
036	35G6630	MOTOR ROOM HEAD	01/01/1996-
037	35R1560	SUPPORT	18/11/1999-
038	35Q6770	FRIDGE FAN GUARD	01/01/1996-
039	35S3050	TRAY SLIDE	01/01/1996-
040	35T4850	FAN SUPPORT	01/01/1996-
041	35T5060	RACK SUPPORT	01/01/1996-
042	35V0880	STIFFENING	01/01/1996-
043	35V1010	CONTROL BOARD C	18/11/1999-
044	35V1710	TRAY TRIM	01/01/1996-
045	35V2270	STIFFENING	01/01/1996-
046	35W4350	TRAY ASS.Y	11/06/1999-
047	35X1730	DRAIN PIPE	01/01/1996-
048	36A3010	GRID 600	01/01/1996-
049	36A3060	UNION GRID	01/01/1996-
050	36D1250	TRIM FRAME	01/01/1996-
051	36D1270	TRIM FRAME	01/01/1996-
052	36D1290	TRIM FRAME	01/01/1996-
053	36D7100	CONDENS. DRAIN	01/01/1996-
054	36D8800	SPACER	01/01/1996-

<b>Pos</b>	<b>Code</b>	<b>Description</b>	<b>Info</b>
055	36C3940	ST-STEEL FO	22/07/1999-
056	36D9490	TOP BRACKET	01/01/1996-
057	36D9980	TOP HANDLE GUARD	01/01/1996-
058	36D9990	BOTTOM HANDLE	01/01/1996-
059	36G6520	GUARD HINGE	01/01/1996-
061	36Q1200	PLUG	01/01/1996-
062	36Z0300	COND. TRAY	01/01/1996-
063	36Z6401	CONTROL BOARD	09/07/2003-
064	36Z6410	COMPONENT GUARD	18/11/1999-
065	37Q2590	DOOR GASKET	01/01/1996-
066	3AA3840	CONTROL BOARD	18/11/1999-
067	30A9570	CENTRAL RISER	01/01/1996-
068	3600770	SPACER	01/01/1996-
071	32W1320	MICROSWITCH	01/01/1996-
072	35G6520	COVER	01/01/1996-
073	35Q7350	MICROSWITCH GUARD	01/01/1996-
074	35V0890	LOCK SUPPORT	01/01/1996-
075	36C2020	FAN GUARD	11/06/1999-
076	32Z3470	TRANSFORMER	18/11/1999-