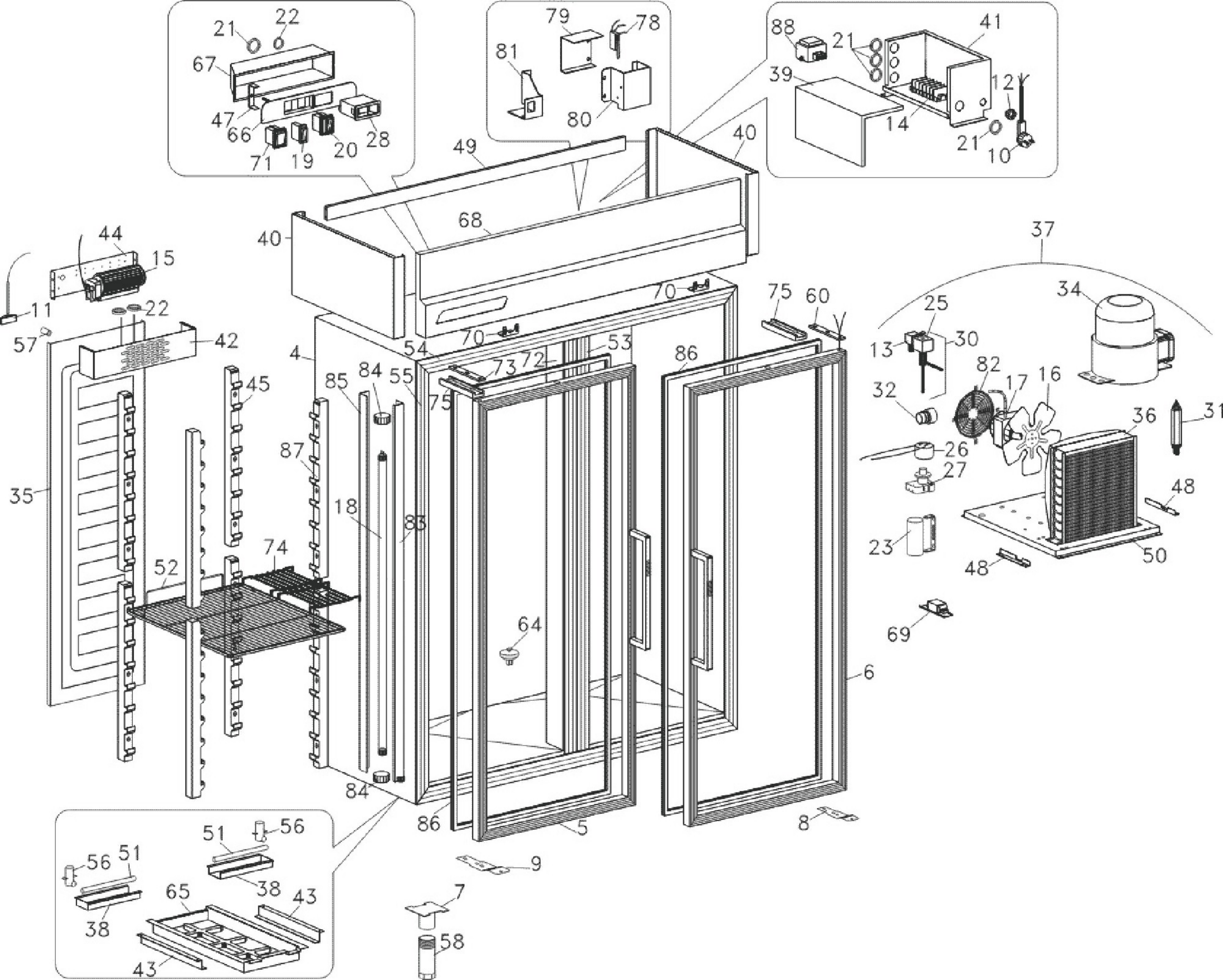




120PV

Edition 20030709-



Pos	Code	Description	Info
004	40K6360	BODY	01/01/1996-
005	30G3160	GLASS DOOR (LH)	01/01/1996-
006	30G3150	GLASS DOOR (RH)	01/01/1996-
007	3AT1150	FOOT HOUSING	10/03/1997-
008	30T4780	RH BOTTOM BRACKET	01/01/1996-
009	30T4800	LH BOTTOM BRACKET	01/01/1996-
010	32A2200	POWER SUPPLY CABLE	16/05/1997-
011	36Z0490	ENGINE CUTOUT	11/02/2000-
012	32D0680	CABLE CLAMP	01/01/1996-
013	32D0710	THREE-POLE CONNECTOR	01/01/1996-
014	32D0761	TERMINAL BOARD	01/01/1996-
015	32M5920	TANGENTIAL FAN	23/11/1998-
016	32M1080	FAN	01/01/1996-
017	32M6870	FAN MOTOR	05/12/2001-
018	32W3100	TLD NEON LIGHT	13/02/1998-
019	32W2331	BIPOLAR SWITCH	01/01/1996-
020	32W3190	PILOT-LIGHT 1-POLE SWITCH	01/01/1996-
021	32X0120	GROMMET Ø 21	01/01/1996-
022	32X0140	GROMMET Ø13,5-Ø25	01/01/1996-
023	32V1490	CONDENSER	11/06/1999-
025	32Z2750	COIL	01/01/1996-
026	32V1410	ENGINE CUTOU	11/06/1999-
027	32V1260	RELAY	11/06/1999-
028	32V3780	DIGITAL	11/02/2000-
030	33A0510	THERMOREGULATOR DEFROST SOL. VALVE	01/01/1996-
031	33A0180	FILTER	14/06/1996-
032	33A1200	AUXIL.VALVE	01/01/1996-
034	34D6520	COMPRESSOR	11/06/1999-
035	34D0360	ROLL BOND EVAP.	01/01/1996-
036	34D7300	1335 X 430 CONDENSER	11/06/1999-
037	34D7550	MOTOR UNIT	11/06/1999-
038	35D7340	DRAIN GUARD	01/01/1996-
039	35G6350	COVER	01/01/1996-
040	35G6630	MOTOR ROOM HEAD	01/01/1996-
041	35Q2660	PANEL BOARD	01/01/1996-
042	35Q6770	FRIDGE FAN GUARD	01/01/1996-
043	35S3050	TRAY SLIDE	01/01/1996-
044	35T4850	FAN SUPPORT	01/01/1996-
045	35T5060	RACK SUPPORT	13/02/1998-
047	35V1010	CONTROL BOARD C	11/02/2000-
048	35V1710	TRAY TRIM	01/01/1996-
049	35V2270	STIFFENING	01/01/1996-
050	35W4350	TRAY ASS.Y	01/01/1996-
051	35X1730	DRAIN PIPE	01/01/1996-
052	36A2550	GRID	13/02/1998-
053	36D1250	TRIM FRAME	01/01/1996-
054	36D1270	TRIM FRAME	01/01/1996-
055	36D1290	TRIM FRAME	01/01/1996-
056	36D7100	CONDENS. DRAIN	01/01/1996-
057	36D8800	SPACER	01/01/1996-
058	36C3940	ST-STEEL FO	22/07/1999-

Pos	Code	Description	Info
060	30T5800	TOP RIGHT BRACKET	01/01/1996-
064	36Q1200	PLUG	01/01/1996-
065	36Z0300	COND. TRAY	01/01/1996-
066	36Z6401	CONTROL BOARD	09/07/2003-
067	36Z6410	COMPONENT GUARD	11/02/2000-
068	3AA3920	CONTROL BOARD	11/02/2000-
069	32T2780	LAMP INDUCTOR	13/02/1998-
070	35V0880	STIFFENING	01/01/1996-
071	32W1471	SWITCH	01/01/1996-
072	30A9570	CENTRAL RISER	01/01/1996-
073	30T5970	TOP LEFT BRACKET	01/01/1996-
074	36A3660	UNION GRID	13/02/1998-
075	3600770	SPACER	01/01/1996-
078	32W1320	MICROSWITCH	01/01/1996-
079	35G6520	COVER	01/01/1996-
080	35Q7350	MICROSWITCH GUARD	01/01/1996-
081	35V0890	LOCK SUPPORT	01/01/1996-
082	36C2020	FAN GUARD	01/01/1996-
083	30Q2410	NEON LAMP HO	13/02/1998-
084	32W3210	LAMP-HOLDER PAD	13/02/1998-
085	36Z6480	LAMP GUARD	13/02/1998-
086	37Q1380	DOOR GASKET	01/01/1996-
087	36D9470	RACK	13/02/1998-
088	32Z3470	TRANSFORMER	11/02/2000-