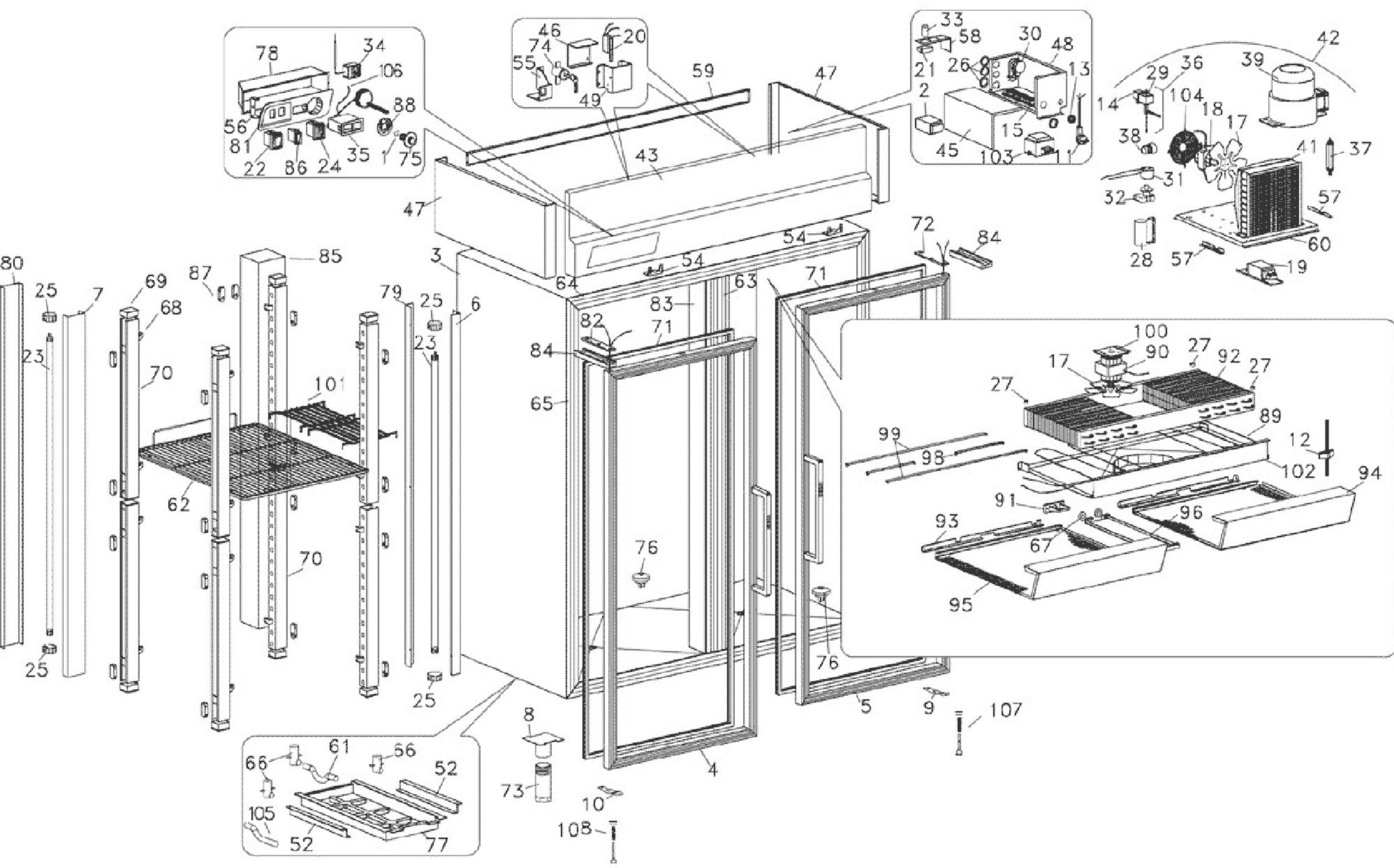




**135PVX**

**Edition 19990722-20010629**



Pos	Code	Description	Info
001	3170290	KNOB SPRING	01/07/1998-29/06/2001
002	32Z8440	FILTER	01/07/1998-
003	40A1487	BODY	01/07/1998-
004	30G3160	GLASS DOOR (LH)	01/07/1998-
005	30G3150	GLASS DOOR (RH)	01/07/1998-
006	30Q2540	NEON LAMP HOLDER	01/07/1998-
007	30Q2550	NEON LAMP HOLDER	01/07/1998-
008	3AT1150	FOOT HOUSING	01/07/1998-
009	30T4780	RH BOTTOM BRACKET	01/07/1998-
010	30T4800	LH BOTTOM BRACKET	01/07/1998-
011	32A2200	POWER SUPPLY CABLE	01/07/1998-
012	32D0020	CABLE CLAMP Ø 4 - 12	01/07/1998-29/06/2001
013	32D0680	CABLE CLAMP	01/07/1998-
014	32D0710	THREE-POLE CONNECTOR	01/07/1998-
015	32D0761	TERMINAL BOARD	01/07/1998-
017	32M1080	FAN	01/07/1998-
018	32M4041	MOTOR	01/07/1998-06/12/2001
019	32T2780	LAMP INDUCTOR	01/07/1998-
020	32W1320	MICROSWITCH	01/07/1998-
021	32W1460	STARTER HOLDER	01/07/1998-
022	32W2331	BIPOLAR SWITCH	01/07/1998-
023	32W3100	TLD NEON LIGHT	01/07/1998-
024	32W3190	PILOT-LIGHT 1-POLE SWITCH	01/07/1998-
025	32W3210	LAMP-HOLDER PAD	01/07/1998-
026	32X0120	GROMMET Ø 21	01/07/1998-
027	32X0340	GROMMET	01/07/1998-
028	32V1420	CONDENSER	16/04/1999-
029	32Z2750	COIL	01/07/1998-
030	32Z2421	DEFROST TIMER	01/07/1998-29/06/2001
031	32V1450	ENGINE CUTO	16/04/1999-
032	32V1290	RELAY	16/04/1999-
033	32Z6060	TL LAMP STARTER	01/07/1998-
034	32Z6310	THERMOSTAT	01/07/1998-29/06/2001
035	6006340	ELECTRONIC THERMOMETER	01/07/1998-
036	33A0510	DEFROST SOL. VALVE	01/07/1998-
037	33A0180	FILTER	01/07/1998-
038	33A1200	AUXIL.VALVE	01/07/1998-
039	34D6760	COMPRESSOR	16/04/1999-
041	34D7300	CONDENSER	16/04/1999-
042	34D7290	MOTOR UNIT	16/04/1999-
043	3AA0700	CONTROL BOARD	01/07/1998-29/06/2001
045	35G6350	COVER	01/07/1998-
046	35G6520	COVER	01/07/1998-
047	35G6550	MOTOR ROOM HEAD	01/07/1998-
048	35Q2660	PANEL BOARD	01/07/1998-
049	35Q7350	MICROSWITCH GUARD	01/07/1998-
052	35S3050	TRAY SLIDE	01/07/1998-
054	35V0880	STIFFENING	01/07/1998-
055	35V0890	LOCK SUPPORT	01/07/1998-
056	35V1000	CONTROL BOARD C	01/07/1998-29/06/2001
057	35V1710	TRAY TRIM	01/07/1998-

Pos	Code	Description	Info
058	35V1870	STARTER-HOLDING SUP.	01/07/1998-
059	35V2270	STIFFENING	01/07/1998-
060	35W4350	TRAY ASS.Y	01/07/1998-
061	35X1640	DRAIN TRAP	01/07/1998-
062	36A0710	GRID	01/07/1998-
063	36D1250	TRIM FRAME	01/07/1998-
064	36D1270	TRIM FRAME	01/07/1998-
065	36D1290	TRIM FRAME	01/07/1998-
066	36D7100	CONDENS. DRAIN	01/07/1998-
067	36D9921	SPACER	01/07/1998-
068	3600280	SHELF HOOK	01/07/1998-
069	36D2730	PLUG	01/07/1998-
070	3AT1040	RACK	01/07/1998-
071	37Q1380	DOOR GASKET	01/07/1998-
072	30T5800	TOP RIGHT BRACKET	01/07/1998-
073	36C3940	ST-STEEL FO	22/07/1999-
074	36M0140	KEY LOCK	01/07/1998-
075	36M5060	FRIDGE HANDLE	01/07/1998-29/06/2001
076	36Q1400	PLUG	01/07/1998-
077	36Z0300	COND. TRAY	01/07/1998-
078	36Z6420	COMPONENT GUARD	01/07/1998-29/06/2001
079	36Z6480	LAMP GUARD	01/07/1998-
080	36Z6490	LAMP GUARD	01/07/1998-
081	36Z6390	CONTROL BOARD	01/07/1998-29/06/2001
082	30T5970	TOP LEFT BRACKET	01/07/1998-
083	30T5840	CENTRAL RISER	01/07/1998-
084	3600770	SPACER	01/07/1998-
085	3AT1070	BACK RISER	01/07/1998-
086	32W1471	SWITCH	01/07/1998-
087	36G5251	RACK SUPPORT	01/07/1998-
088	36D5700	BOARD RING	01/07/1998-29/06/2001
089	32G1810	HEATING ELEMENT	01/07/1998-
090	32M4041	MOTOR	01/07/1998-
091	3300030	CONDENS. DRAIN	01/07/1998-
092	34D2610	EVAPORATOR	01/07/1998-
093	35V0360	GUARD SUPPORT	01/07/1998-
094	35P0610	RIGHT EVAP. GUARD	01/07/1998-
095	35P0620	LEFT EVAP. GUARD	01/07/1998-
096	35C0270	CENTRAL EVAP	01/07/1998-
098	35V2120	RESISTOR FASTENER	01/07/1998-
099	35V2140	RESISTOR FASTENER	01/07/1998-
100	35V2940	FAN SUPPORT	01/07/1998-
101	36A3660	UNION GRID	01/07/1998-
102	36Z6441	PLASTIC-COATED TRAY 860X432X85	01/07/1998-
104	36C2020	FAN GUARD	01/07/1998-
105	35X1740	DRAIN PIPE	01/07/1998-
106	32A0010	POWER CABLE THERMOM.	01/07/1998-
107	6008490	RH LOWER HINGE	01/07/1998-
108	6008500	LH LOWER HINGE	01/07/1998-