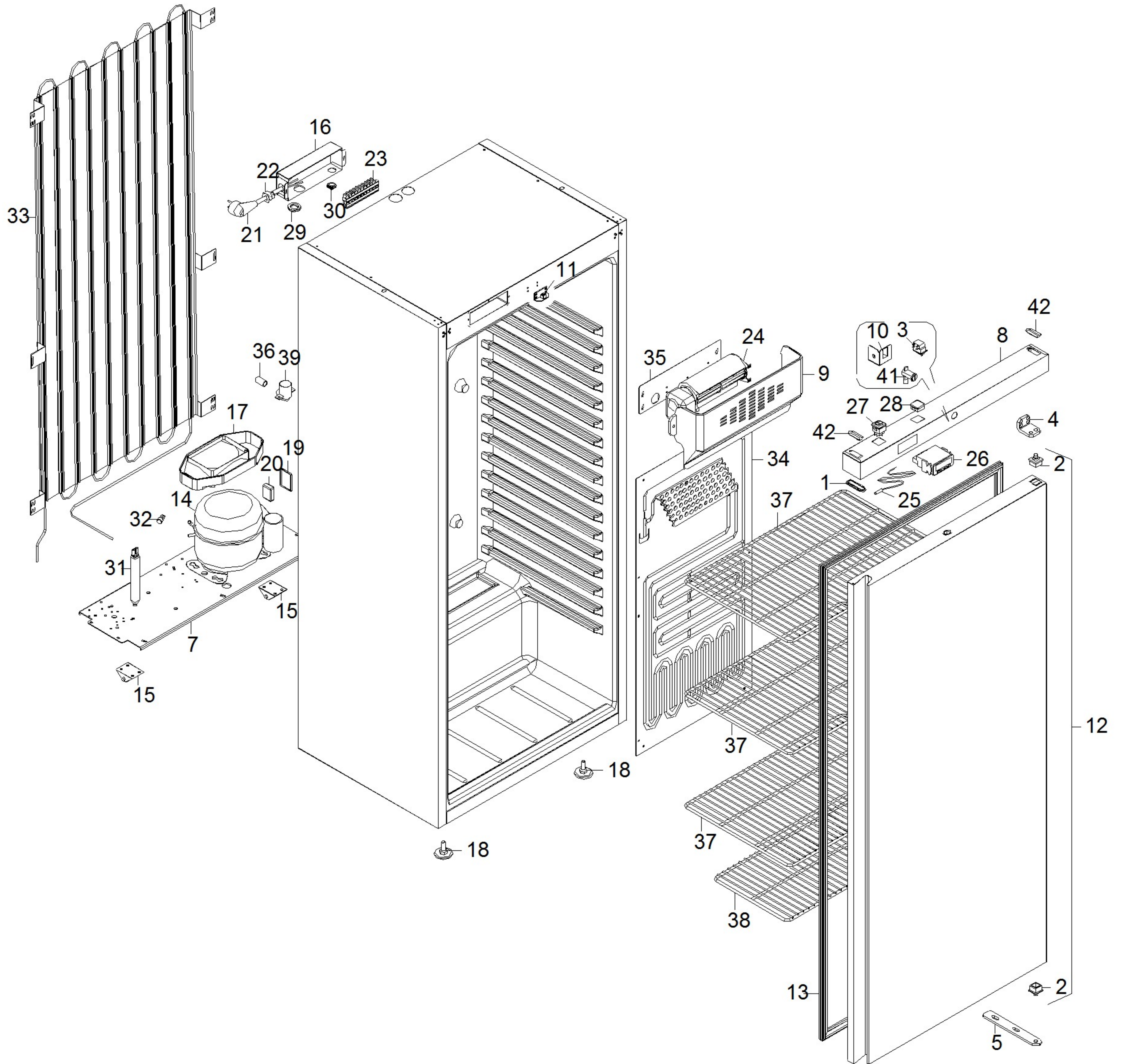




40-0PR01

Edition 20130318-



Pos	Code	Description	Info
001	3082370	HOLE PLUG	10/12/2008-
002	3091340	DOOR PLUG	10/12/2008-
003	3096020	MICROSWITCH	10/12/2008-
004	3237770	TOP BRACKET	18/03/2013-
005	3129130	BOTTOM BRACKET	10/12/2008-
007	3129150	TRAY X ASSEMBLY	10/12/2008-
008	3129320	FRONT PANNEL	10/12/2008-
009	3129360	FAN GUARD	10/12/2008-
010	3130910	LOCK SUPPORT	10/12/2008-
011	3142820	SUPPORT	10/12/2008-
012	3149310	FRIDGE DOOR	10/12/2008-
013	3155850	DOOR GASKET F40	10/12/2008-
014	3162010	COMPRESSOR R134a (TN)	10/12/2008-
015	3163450	WHEEL	10/12/2008-
016	3168790	PROTECTION PANEL BOARD	10/12/2008-
017	3168800	COND. TRAY	10/12/2008-
018	3168810	FOOT	10/12/2008-
019	3163860	COVER	10/12/2008-
020	3149540	COMPRESSOR KIT	10/12/2008-
021	32A2200	POWER SUPPLY CABLE	10/12/2008-
022	32D0680	CABLE CLAMP	10/12/2008-
023	32D0740	TERMINAL BOARD	10/12/2008-
024	32M5920	TANGENTIAL FAN	10/12/2008-
025	32V6010	EVAPORATOR PROBE NTC	10/12/2008-
026	32V7490	DIGITAL THERMOREGULATOR	10/12/2008-
027	32W3970	BIPOLAR SWITCH	10/12/2008-
028	32W4420	HOLE PLUG	10/12/2008-
029	32X0120	GROMMET Ø 21	10/12/2008-
030	32X0140	GROMMET Ø13,5-Ø25	10/12/2008-
031	33A0180	FILTER	10/12/2008-
032	33A1200	AUXIL.VALVE	10/12/2008-
033	34D1210	CONDENSER	10/12/2008-
034	34D4400	PLATE EVAP.	10/12/2008-
035	35C4840	SUPPORT	10/12/2008-
036	35X6980	GLASS COMP.CONNECTION	10/12/2008-
037	36A0131	HOSE GRID 60x40	10/12/2008-
038	36A0161	GRID 60x28	10/12/2008-
039	36E2380	CONDENS. DRAIN	10/12/2008-
041	36M7530	KEY LOCK	10/12/2008-
042	36C4730	HOLE PLUG	09/03/2009-