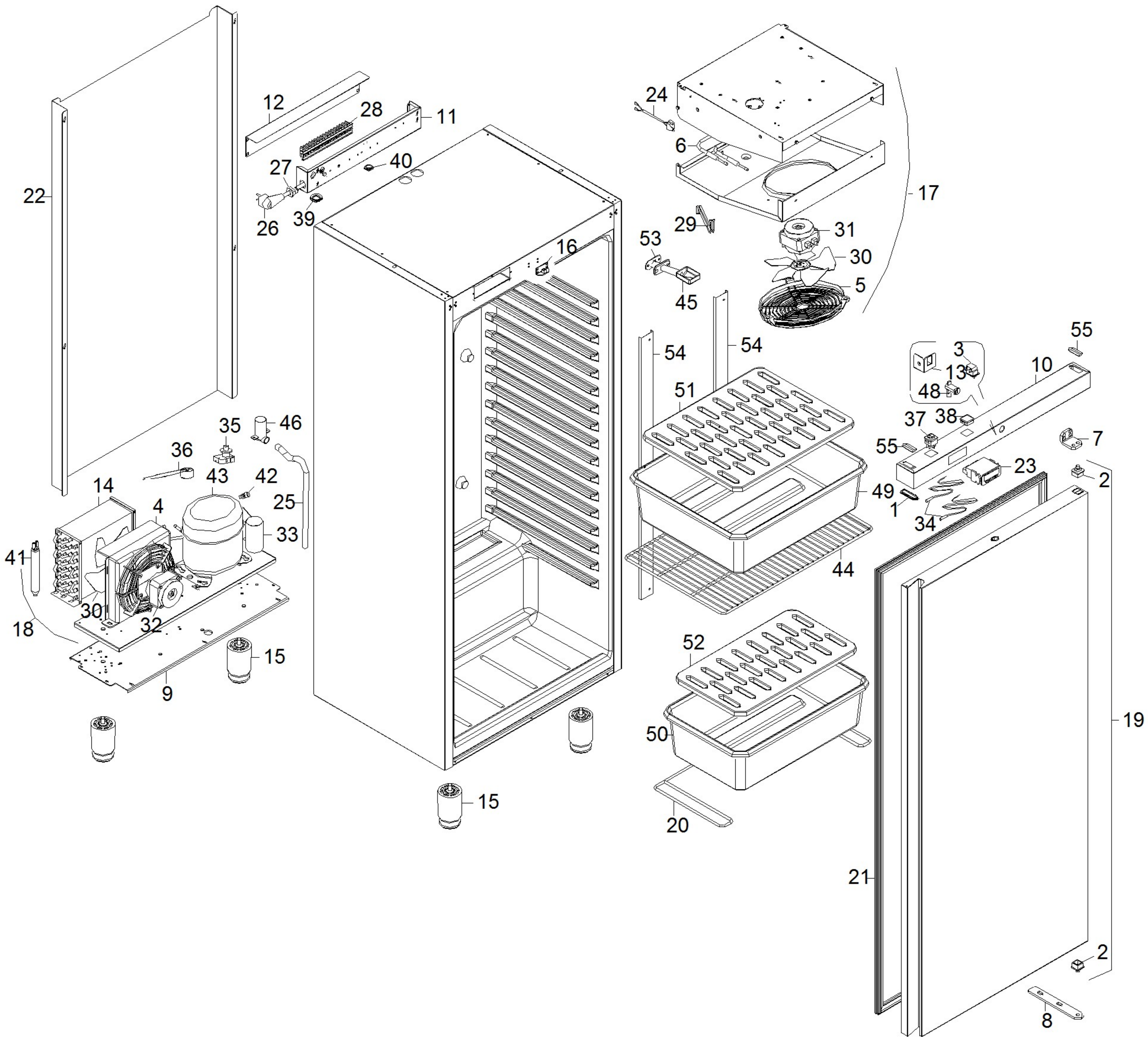




**40CP-0PR01**

**Edition 20130318-**



Pos	Code	Description	Info
001	3082370	HOLE PLUG	10/12/2008-
002	3091340	DOOR PLUG	10/12/2008-
003	3096020	MICROSWITCH	10/12/2008-
004	3153090	FAN.PROT.	10/12/2008-
005	3097570	FAN.PROT.	10/12/2008-
006	3105250	WIDERSTAND	10/12/2008-
007	3237770	TOP BRACKET	18/03/2013-
008	3129130	BOTTOM BRACKET	10/12/2008-
009	3129150	TRAY X ASSEMBLY	10/12/2008-
010	3129320	FRONT PANNEL	10/12/2008-
011	3129340	PAN. BOARD SUPP.	10/12/2008-
012	3129370	PROTECTION PANEL BOARD	10/12/2008-
013	3130910	LOCK SUPPORT	10/12/2008-
014	3130950	CONDEN.+BAFFLE	10/12/2008-
015	3134510	FOOT	10/12/2008-
016	3142820	SUPPORT	10/12/2008-
017	3144290	EVAPORATOR	10/12/2008-
018	3216380	MOTOR UNIT	17/04/2012-
019	3149310	FRIDGE DOOR	10/12/2008-
020	3155820	GRID 60x28	10/12/2008-
021	3155850	DOOR GASKET F40	10/12/2008-
022	3158880	PROTECTION	10/12/2008-
023	3161260	THERMOREGULATOR	10/12/2008-
024	3073130	SAFETY THERMOSTAT	10/12/2008-
025	3153110	DRAIN PIPE	10/12/2008-
026	32A2200	POWER SUPPLY CABLE	10/12/2008-
027	32D0680	CABLE CLAMP	10/12/2008-
028	32D0761	TERMINAL BOARD	10/12/2008-
029	32G2420	HEATING ELEMENT	10/12/2008-
030	32M3280	FAN	10/12/2008-
031	32M4351	MOTOR	10/12/2008-
032	32M7020	FAN MOTOR	10/12/2008-
033	32V1500	CONDENSER	10/12/2008-
034	32V6010	EVAPORATOR PROBE NTC	10/12/2008-
035	32V7710	RELAY	10/12/2008-
036	32V7720	ENGINE CUTOUT	10/12/2008-
037	32W3970	BIPOLAR SWITCH	10/12/2008-
038	32W4420	HOLE PLUG	10/12/2008-
039	32X0120	GROMMET Ø 21	10/12/2008-
040	32X0140	GROMMET Ø13,5-Ø25	10/12/2008-
041	33A0180	FILTER	10/12/2008-
042	33A1200	AUXIL.VALVE	10/12/2008-
043	3215800	COMPRESSOR R404A	17/04/2012-
044	36A0131	GRID 60x40	10/12/2008-
045	36E3330	CONDENS. DRAIN	10/12/2008-
046	36E4780	CONDENS. DRAIN	10/12/2008-
048	36M7530	KEY LOCK	10/12/2008-
049	36Z0240	TRAY	10/12/2008-
050	36Z0291	PLASTIC COATED TRAY	10/12/2008-
051	36Z0520	FALSE BOTTOM	10/12/2008-
052	36Z0531	FALSE BOTTOM	10/12/2008-

<b>Pos</b>	<b>Code</b>	<b>Description</b>	<b>Info</b>
053	36Z1410	GASKET	10/12/2008-
054	3169520	TRIM	19/02/2009-
055	36C4730	HOLE PLUG	09/03/2009-