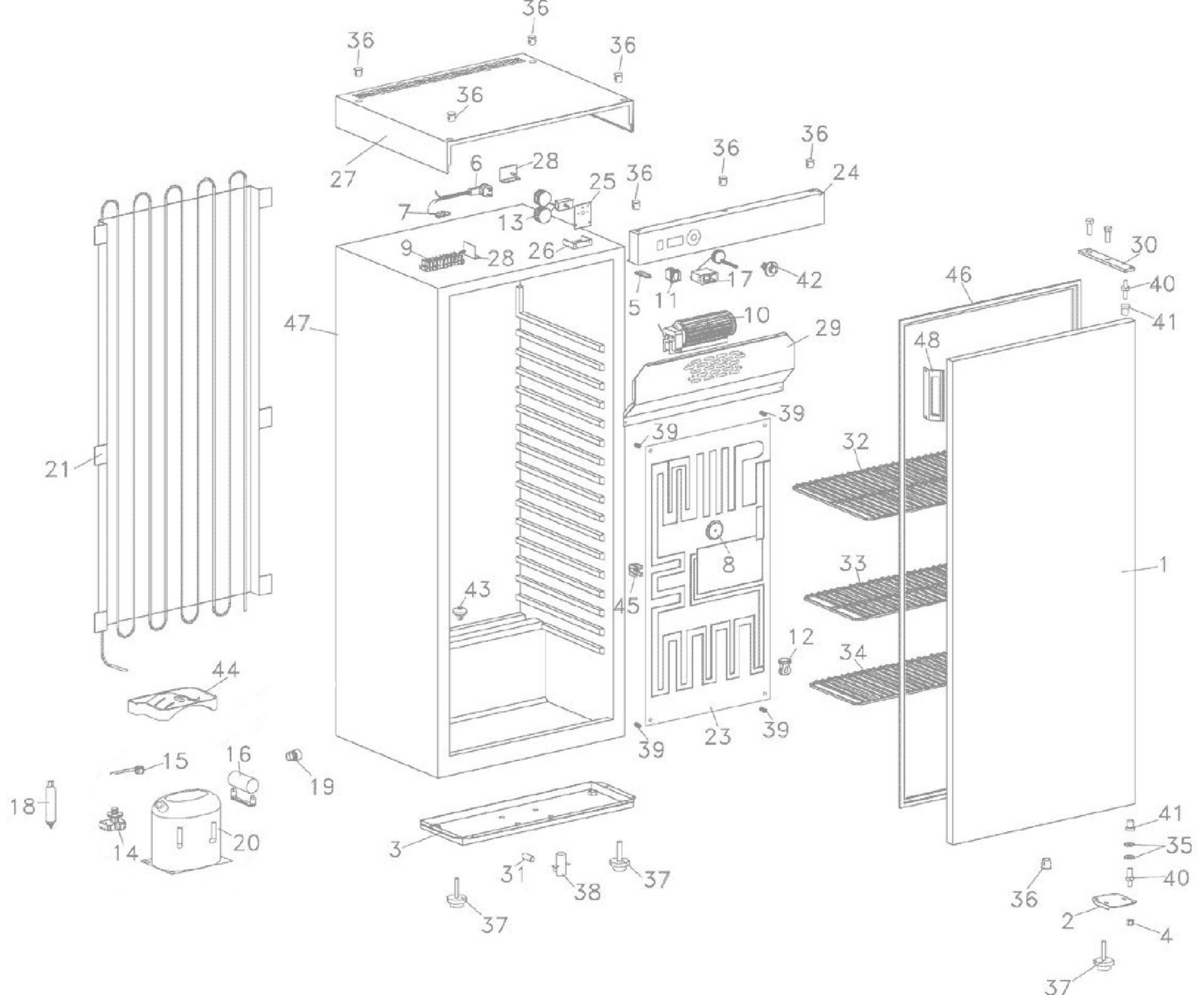




**40PL**

**Edition 20070307-**



Pos	Code	Description	Info
001	30G1110	FRIDGE DOOR	01/01/1996-
002	30T1110	FOOT-HOLDER	01/01/1996-
003	30W0300	TRAY ASS.Y	01/01/1996-
004	3113200	NUT	01/01/1996-
005	3178310	PLUG	01/01/1996-
006	32A2200	POWER SUPPLY CABLE	20/06/1997-
007	32D0020	CABLE CLAMP Ø 4 - 12	01/01/1996-
008	32D0350	CAPILLARY STOPPER	01/01/1996-
009	32D0750	TERMINAL BOARD	01/01/1996-
010	32M5920	TANGENTIAL FAN	23/11/1998-
011	32W2331	BIPOLAR SWITCH	01/01/1996-
012	32X0190	CABLE SUPPORT	01/01/1996-
013	32Z0920	THERMOSTAT	01/01/1996-
014	32Z3380	RELAY	01/01/1996-
015	32Z3440	ENGINE CUTOUT	01/01/1996-
016	32Z4490	CONDENSER	01/01/1996-
017	32Z7120	THERMOMETER	01/01/1996-
018	33A0180	FILTER	01/01/1996-
019	33A1200	AUXIL.VALVE	01/01/1996-
020	34D1200	COMPRESSOR R134a (TN)	01/01/1996-
021	34D1210	CONDENSER	01/01/1996-
023	34D4280	PLATE EVAP.	01/01/1996-
024	35C2560	CONTROL BOARD	01/01/1996-
025	35C0880	THERMOSTAT SUPPORT	01/01/1996-
026	35C2760	THERMOSTAT SUPP. BASE	01/01/1996-
027	35G1090	COVER	01/01/1996-
028	35S5180	TERMINAL SUPPORT	01/01/1996-
029	35V6550	FAN GUARD	01/01/1996-
030	35V7760	TOP BRACKET	01/01/1996-
031	35X6980	GLASS COMP.CONNECTION	07/03/2007-
032	36A0130	HOSE GRID 60X40	01/01/1996-
033	36A0160	GRID 60X28	01/01/1996-
034	36A0470	GRID 54X25	01/01/1996-
035	36D2880	WASHER	01/01/1996-
036	36D3820	PLUG	01/01/1996-
037	36D2970	ADJUSTABLE FOOT	01/01/1996-
038	36E2380	CONDENS. DRAIN	11/01/2001-
039	36D8800	SPACER	01/01/1996-
040	36G0440	DOOR PIN	01/01/1996-
041	36G2810	BEARING	01/01/1996-
042	36M1210	HANDLE	01/01/1996-
043	36Q1200	PLUG	01/01/1996-
044	36Z0350	DRIP TRAY	01/01/1996-
045	36Z0490	ENGINE CUTOUT	01/01/1996-
046	37Q0210	DOOR GASKET	01/01/1996-
047	40A0214	BODY	01/01/1996-
048	36M1290	HANDLE	01/01/1996-