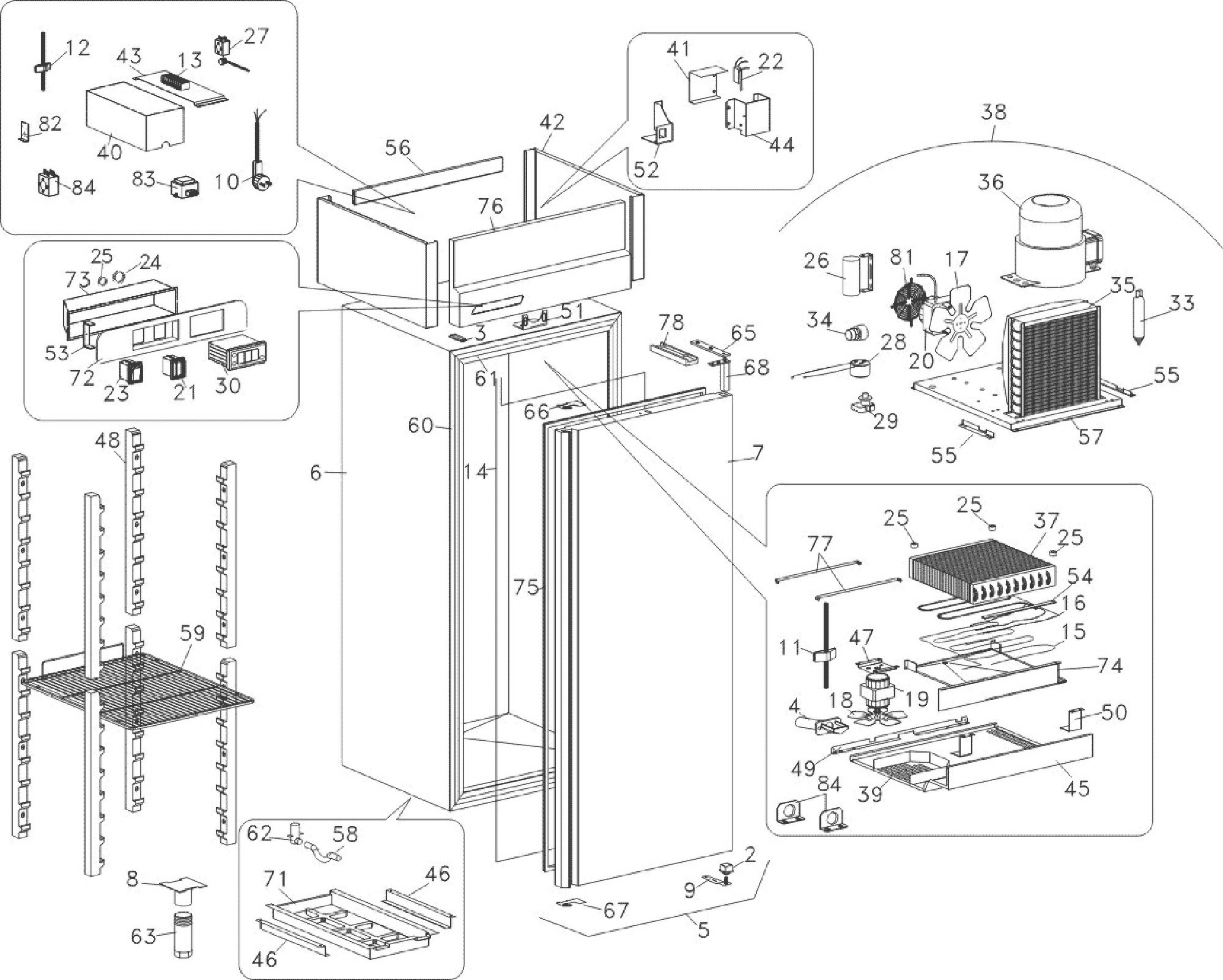




**55B**

**Edition 20030709-**



Pos	Code	Description	Info
002	3178300	PLUG	01/01/1996-
003	3178310	PLUG	01/01/1996-
004	36E2790	CONDENS. DRAIN	22/06/2001-
005	6011950	DOOR UNIT	15/12/2001-
006	40K6820	BODY	01/01/1996-
007	30F1000	FRIDGE DOOR	15/12/2001-
008	3AT1150	FOOT HOUSING	10/03/1997-
009	30T5810	BOTTOM BRACKET	01/01/1996-
010	32A2200	POWER SUPPLY CABLE	05/08/1997-
011	36Z0490	ENGINE CUTOUT	29/07/1999-
012	32D0020	CABLE CLAMP Ø 4 - 12	29/07/1999-
013	32D0740	TERMINAL BOARD	29/07/1999-
014	32G1800	HEATING ELEMENT	01/01/1996-
015	32G1820	HEATING ELEMENT	01/01/1996-
016	32G1840	HEATING ELEMENT	01/01/1996-
017	32M2510	FAN	01/01/1996-
018	32M3280	FAN	01/01/1996-
019	32M6870	FAN MOTOR	07/12/2001-
020	32M4041	MOTOR	20/11/1996-
021	32W0271	LIGHT	01/01/1996-
022	32W1320	MICROSWITCH	01/01/1996-
023	32W2331	BIPOLAR SWITCH	01/01/1996-
024	32X0120	GROMMETØ 21	29/07/1999-
025	32X0340	GROMMET	01/01/1996-
026	32Z7690	CONDENSER	01/01/1996-
027	32Z1090	THERMOSTAT	29/07/1999-
028	32Z7640	ENGINE CUTOUT	01/01/1996-
029	32Z7590	RELAY	01/01/1996-
030	32V3460	DIGITAL THERMOREGULATOR	29/07/1999-
033	33A0180	FILTER	01/01/1996-
034	33A1200	AUXIL.VALVE	01/01/1996-
035	34D4831	CONDENSER	20/03/1997-
036	34D4530	COMPRESSOR	01/01/1996-
037	34D2600	EVAPORATOR	01/01/1996-
038	34D4580	MOTOR ASS.Y	01/01/1996-
039	35D7150	CONVEYOR	01/01/1996-
040	36E0980	PANEL-BOARD COVER	29/07/1999-
041	35G6520	COVER	01/01/1996-
042	35G6630	MOTOR ROOM HEAD	01/01/1996-
043	35R6810	PANEL BOARD	29/07/1999-
044	35Q7350	MICROSWITCH GUARD	01/01/1996-
045	35Q7520	EVAPORATOR GUARD	01/01/1996-
046	35S3050	TRAY SLIDE	01/01/1996-
047	35S9690	FAN SUPPORT	01/01/1996-
048	35T5060	RACK SUPPORT	01/01/1996-
049	35V0360	GUARD SUPPORT	01/01/1996-
050	35V0370	FRONT GUARD SUPPORT	01/01/1996-
051	35V0880	STIFFENING	01/01/1996-
052	35V0890	LOCK SUPPORT	01/01/1996-
053	35V1010	CONTROL BOARD C	29/07/1999-
054	35V1450	HEATING ELEMENT SUPPORT	01/01/1996-

Pos	Code	Description	Info
055	35V1710	TRAY TRIM	01/01/1996-
056	35V2260	STIFFENING	01/01/1996-
057	35W4350	TRAY ASS.Y	20/06/2000-
058	35X1640	DRAIN TRAP	01/01/1996-
059	36A3010	GRID 600	01/01/1996-
060	36D1290	TRIM FRAME	01/01/1996-
061	36D1300	TRIM FRAME	01/01/1996-
062	36D7100	CONDENS. DRAIN	01/01/1996-
063	36C3940	ST-STEEL FO	22/07/1999-
065	36D9490	TOP BRACKET	01/01/1996-
066	36D9980	TOP HANDLE GUARD	01/01/1996-
067	36D9990	BOTTOM HANDLE GUARD	01/01/1996-
068	36G6520	HINGE	01/01/1996-
071	36Z0300	COND. TRAY	01/01/1996-
072	36Z6401	CONTROL BOARD	09/07/2003-
073	36Z6410	COMPONENT GUARD	29/07/1999-
074	36Z6431	"TRAY ""TN"" 460X385X85"	01/01/1996-
075	37Q2590	DOOR GASKET	01/01/1996-
076	3AA3730	CONTROL BOARD	29/07/1999-
077	35V2130	RESISTOR FASTENER	01/01/1996-
078	3600770	SPACER	01/01/1996-
081	36C2031	FAN GUARD	10/01/1997-
082	35T4840	TIMER SUPPORT	29/07/1999-
083	32Z3470	TRANSFORMER	29/07/1999-
084	32V3720	RELAY	20/07/2000-
085	35E2550	SUPPORT	22/06/2001-