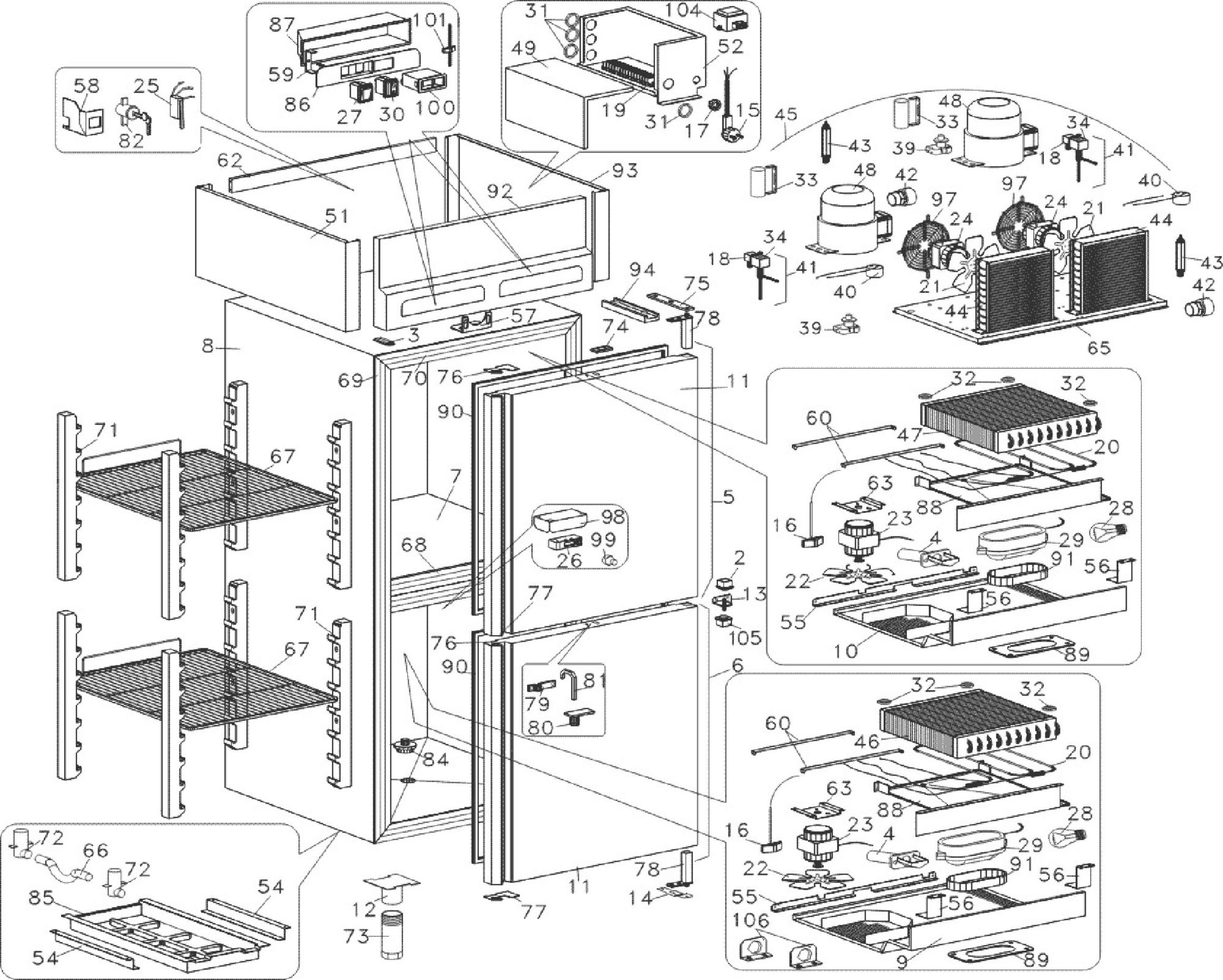




65NNX

Edition 20011215-



Pos	Code	Description	Info
002	3178300	PLUG	29/01/2001-
003	3178310	PLUG	01/03/1997-
004	36E2790	CONDENS. DRAIN	19/06/2001-
005	6011970	DOOR UNIT	15/12/2001-
006	6011960	DOOR UNIT	15/12/2001-
007	30D4430	INTERMEDIATE PANEL	01/03/1997-
008	40K8260	BODY	01/03/1997-
009	3AA2360	EVAPORATOR GUARD	01/03/1997-
010	3AA2410	EVAPORATOR GUARD	01/03/1997-
011	30F1010	FRIDGE DOOR	15/12/2001-
011	30F1010	FRIDGE DOOR	15/12/2001-
012	3AT1150	FOOT HOUSING	10/03/1997-
013	30T5900	INTERMED. BRACKET	01/03/1997-
014	30T5910	RH BOTTOM BRACKET	01/03/1997-
015	32A2200	POWER SUPPLY CABLE	16/05/1997-
016	32D0020	CABLE CLAMP Ø 4 - 12	01/03/1997-
017	32D0680	CABLE CLAMP	01/03/1997-
018	32D0710	THREE-POLE CONNECTOR	01/03/1997-
019	32D0761	TERMINAL BOARD	01/03/1997-
020	32G1010	HEATING ELEMENT	01/03/1997-
021	32M1080	FAN	15/10/1999-
022	32M3280	FAN	01/03/1997-
023	32M6860	FAN MOTOR	10/12/2001-
024	32M6870	FAN MOTOR	05/12/2001-
025	32W1320	MICROSWITCH	01/03/1997-
026	32W1260	MICROSWITCH	01/03/1997-
027	32W2331	BIPOLAR SWITCH	15/10/1999-
028	32W2350	LAMP	01/03/1997-
029	32W2360	LAMP-HOLDER	01/03/1997-
030	32W3190	PILOT-LIGHT 1-POLE	01/03/1997-
031	32X0120	SWITCH GROMMETØ 21	01/03/1997-
032	32X0140	GROMMET Ø13,5-Ø25	01/03/1997-
033	32V1420	CONDENSER	15/10/1999-
034	32Z2750	COIL	01/03/1997-
035	32Z7100	DEFROST AUT. TIMER	15/10/1999-
036	32V2990	DIGITAL THERMOREGULATOR	15/10/1999-
037	32Z6350	PRESSURE-SWITCH	15/10/1999-
039	32V1290	RELAY	15/10/1999-
040	32V1450	ENGINE CUTO	15/10/1999-
041	33A0510	DEFROST SOL. VALVE	01/03/1997-
042	33A1200	AUXIL.VALVE	01/03/1997-
043	33A0180	FILTER	01/03/1997-
044	34D7300	CONDENSER	15/10/1999-
045	34D7530	MOTOR UNIT	15/10/1999-
046	34D2880	EVAPORATOR	01/03/1997-
047	34D2890	EVAPORATOR	01/03/1997-
048	34D6760	COMPRESSOR	15/10/1999-
049	35G6350	COVER	01/03/1997-
051	35G6550	MOTOR ROOM HEAD	01/03/1997-
052	35Q2660	PANEL BOARD	01/03/1997-
054	35S3050	TRAY SLIDE	01/03/1997-

Pos	Code	Description	Info
055	35V2080	EVAP. GUARD SUPPORT	01/03/1997-
056	35V0370	FRONT GUARD SUPPORT	01/03/1997-
057	35V0880	STIFFENING	01/03/1997-
058	35V2660	LOCK SUPPORT	01/03/1997-
059	35V1000	CONTROL BOARD C	01/03/1997-
060	35V1710	TRAY TRIM	01/03/1997-
061	35V2130	RESISTOR FASTENER	01/03/1997-
062	35V2260	STIFFENING	01/03/1997-
063	35V2880	FAN SUPPORT	01/03/1997-
065	35W4350	TRAY ASS.Y	01/03/1997-
066	35X1640	DRAIN TRAP	01/03/1997-
067	36A0710	GRID	06/12/1997-
068	36D1260	TRIM FRAME	01/03/1997-
069	36D1290	TRIM FRAME	01/03/1997-
070	36D1300	TRIM FRAME	01/03/1997-
071	36D2250	RACK	01/03/1997-
072	36D7100	CONDENS. DRAIN	01/03/1997-
073	36C3940	ST-STEEL FO	22/07/1999-
074	36D9480	LOCK BRACKET	01/03/1997-
075	36D9490	TOP BRACKET	01/03/1997-
076	36D9980	TOP HANDLE GUARD	01/03/1997-
077	36D9990	BOTTOM HANDLE GUARD	01/03/1997-
078	36G6520	HINGE	01/03/1997-
079	36M0080	LOCK U BOLT	01/03/1997-
080	36M0090	LOCK BRACKET	01/03/1997-
081	36M1380	LOCKING HOOK	01/03/1997-
082	36M0140	KEY LOCK	01/03/1997-
084	36Q1400	PLUG	01/03/1997-
085	36Z0300	COND. TRAY	01/03/1997-
086	36Z1010	CONTROL BOARD	15/10/1999-
087	36Z6410	COMPONENT GUARD	15/10/1999-
088	36Z6431	"TRAY ""TN"" 460X385X85"	01/03/1997-
089	37M4740	LAMP PANEL	01/03/1997-
090	37Q2600	DOOR GASKET	01/03/1997-
091	37Q7370	LAMP GASKET	01/03/1997-
092	3AA3710	CONTROL BOARD	15/10/1999-
093	35G7160	RIGHT MOTOR ROOM HEAD	01/03/1997-
094	3600770	SPACER	01/03/1997-
097	36C2020	FAN GUARD	15/10/1999-
098	35V8911	SUPPORT	28/08/1998-
099	36D6860	FOOT	01/03/1997-
100	35W3360	FLUID TANK	15/10/1999-
101	36Z0490	ENGINE CUTOUT	15/10/1999-
102	32W2990	LIGHT SWITCH	15/10/1999-
103	32W2070	SINGLE-POLE SWITCH	15/10/1999-
104	3170250	PLUG	29/01/2001-
105	35E2550	SUPPORT	19/06/2001-