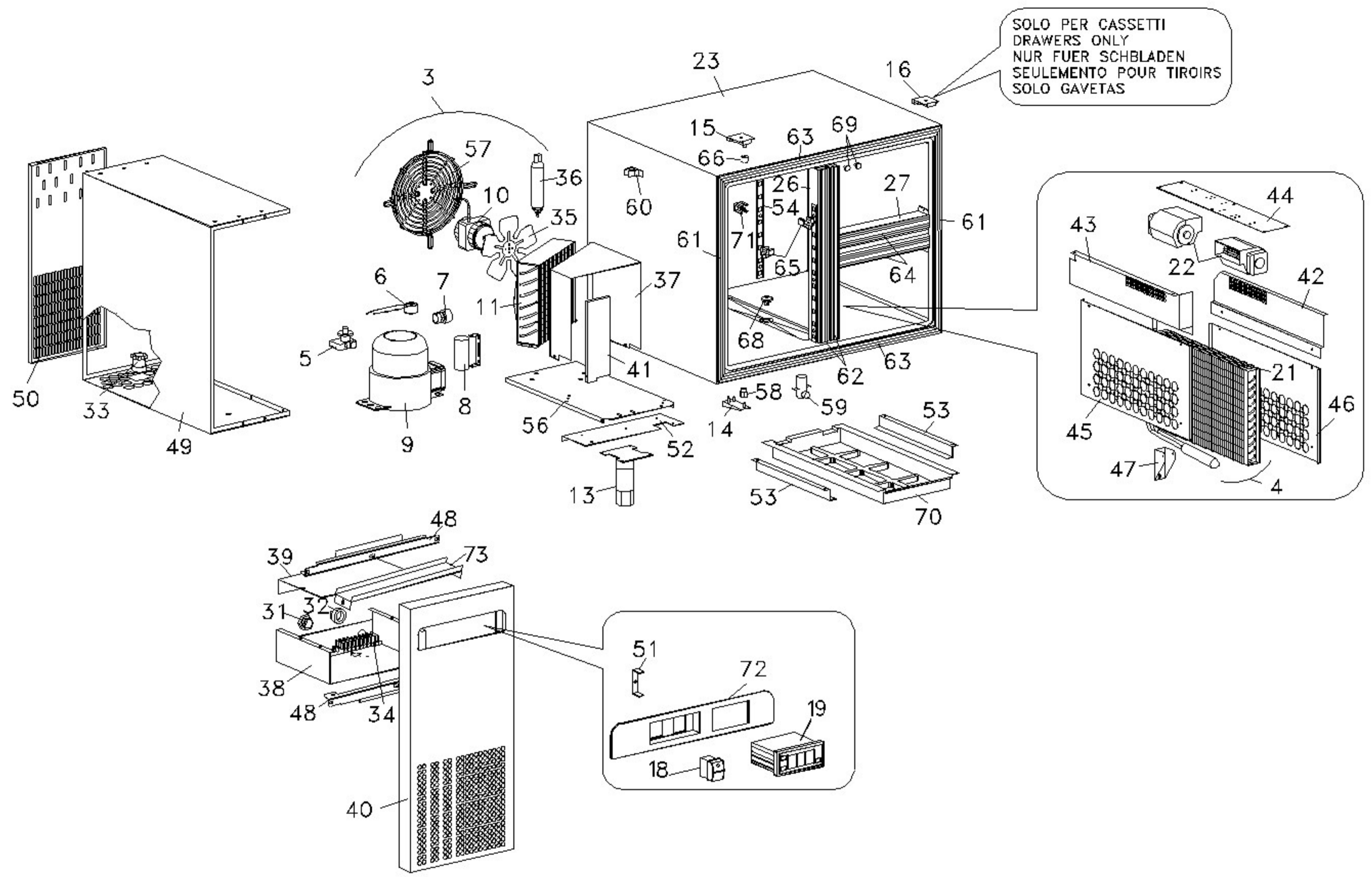




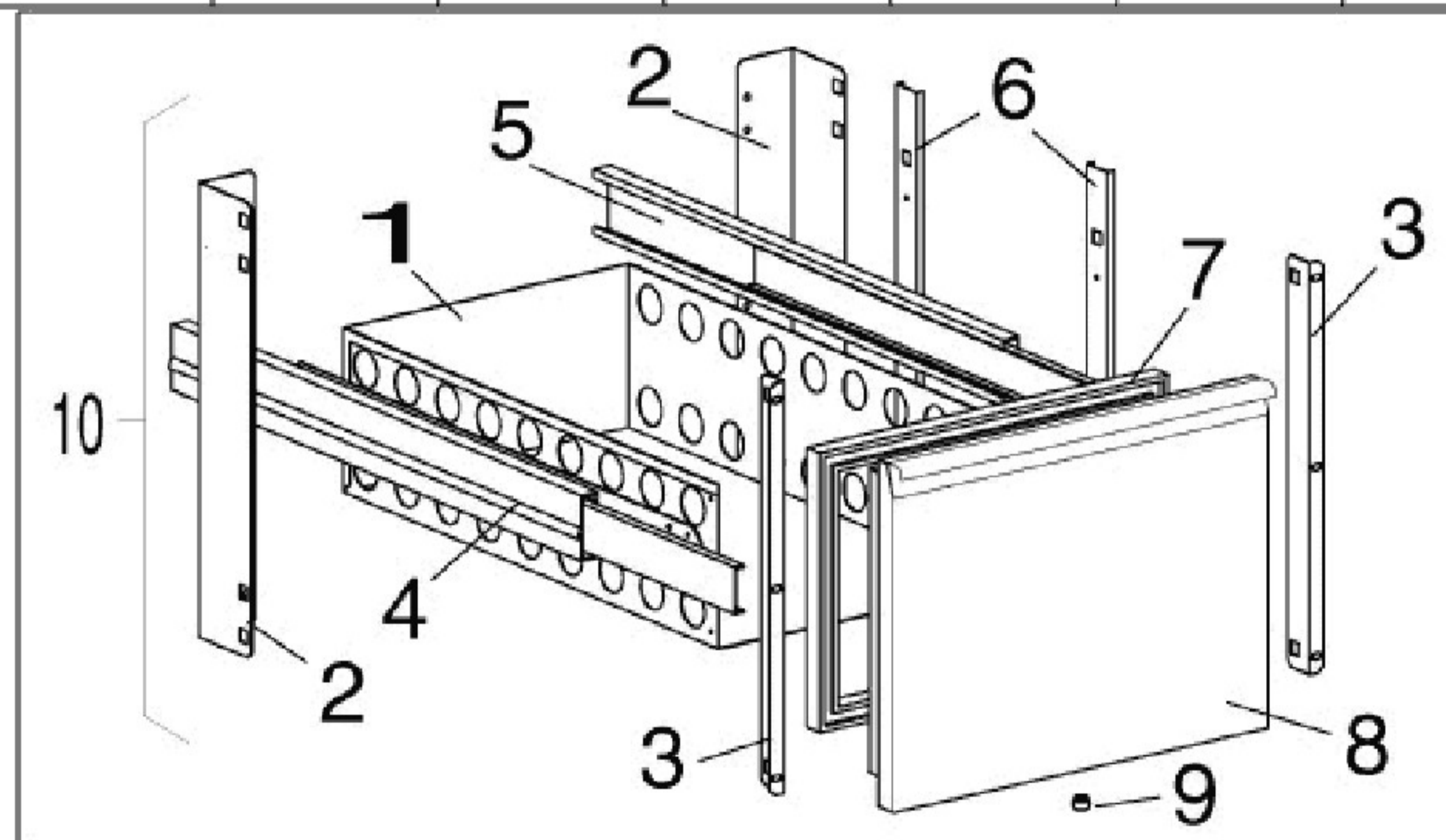
6SMA2

Edition 20040907-



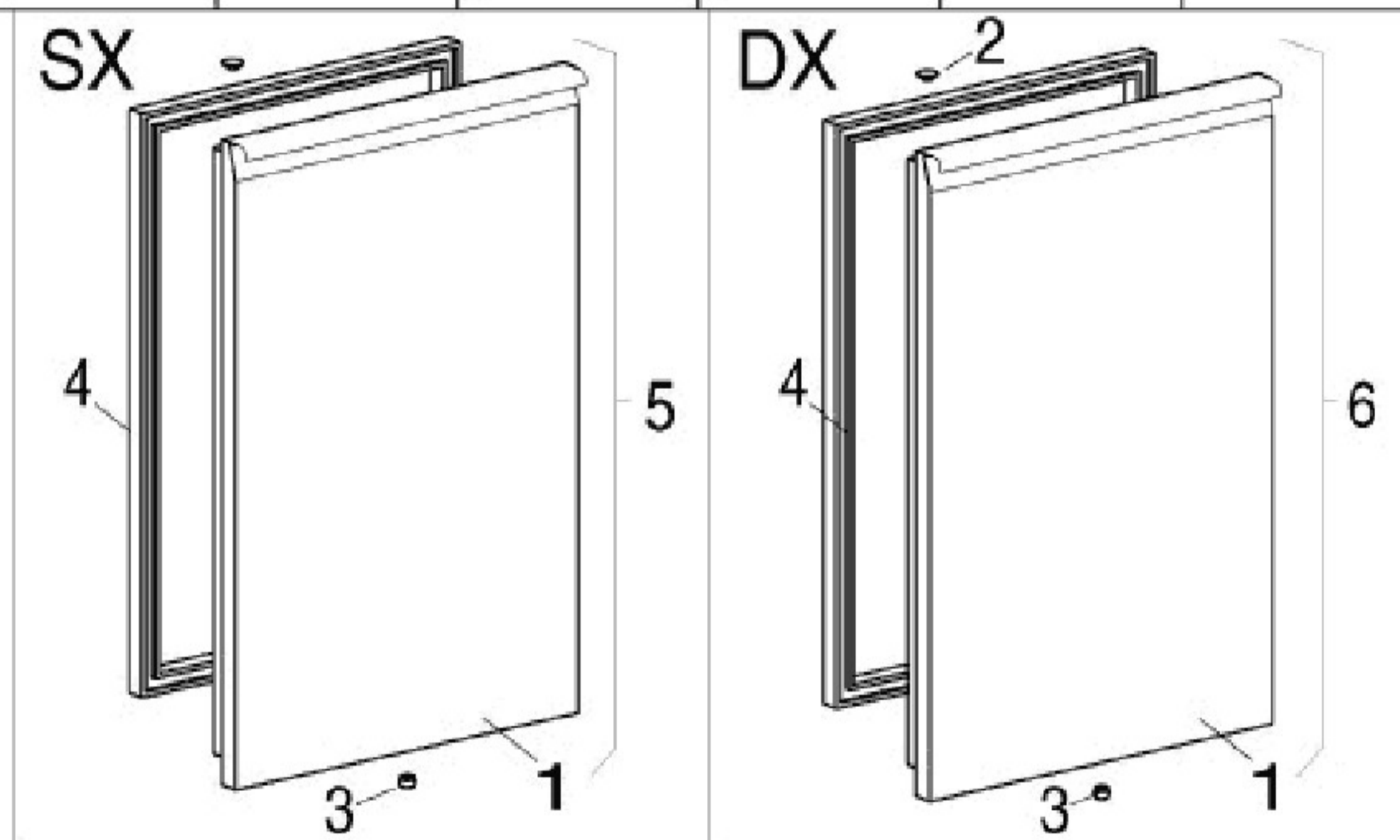
Modello Typ Model Modelle Modelo

| | | | | | | | | | | | | | |
|--|-----|--|---|---|---------------------------------|---|---|---|--|---|---|---|---|
| | | 6SMAM 6SMAB 6SMAA 6SMAZ 6SMA | 6SMA2M 6SMA2B 6SMA2A 6SMA2Z 6SMA2 | 6SMA4M 6SMA4B 6SMA4A 6SMA4Z 6SMA4 | 6SMBM 6SMBB 6SMB 6SMBZ | 6SMB2M 6SMB2B 6SMB2A 6SMB2Z 6SMB2 | 6SMB4M 6SMB4B 6SMB4A 6SMB4Z 6SMB4 | 6SMB6M 6SMB6B 6SMB6A 6SMB6Z 6SMB6 | 6SMCM 6SMCB 6SMCA 6SMCZ 6SMC | 6SMC2M 6SMC2B 6SMC2A 6SMC2Z 6SMC2 | 6SMC4M 6SMC4B 6SMC4A 6SMC4Z 6SMC4 | 6SMC6M 6SMC6B 6SMC6A 6SMC6Z 6SMC6 | 6SMC8M 6SMC8B 6SMC8A 6SMC8Z 6SMC8 |
| Num. Cassetti Schublad Drawers Tiroirs Gabetas | 1/2 | - | 2 | 4 | - | 2 | 4 | 6 | - | 2 | 4 | 6 | 8 |



Modello Typ Model Modelle Modelo

| | | | | | | | | | | | | | |
|---|----|--|---|---|---------------------------------|---|---|---|--|---|---|---|---|
| | | 6SMAM 6SMAB 6SMAA 6SMAZ 6SMA | 6SMA2M 6SMA2B 6SMA2A 6SMA2Z 6SMA2 | 6SMA4M 6SMA4B 6SMA4A 6SMA4Z 6SMA4 | 6SMBM 6SMBB 6SMB 6SMBZ | 6SMB2M 6SMB2B 6SMB2A 6SMB2Z 6SMB2 | 6SMB4M 6SMB4B 6SMB4A 6SMB4Z 6SMB4 | 6SMB6M 6SMB6B 6SMB6A 6SMB6Z 6SMB6 | 6SMCM 6SMCB 6SMCA 6SMCZ 6SMC | 6SMC2M 6SMC2B 6SMC2A 6SMC2Z 6SMC2 | 6SMC4M 6SMC4B 6SMC4A 6SMC4Z 6SMC4 | 6SMC6M 6SMC6B 6SMC6A 6SMC6Z 6SMC6 | 6SMC8M 6SMC8B 6SMC8A 6SMC8Z 6SMC8 |
| Porte Türe Doors Portes Portas Gabetas | SX | 1 | 1 | - | 2 | 2 | 1 | - | 3 | 3 | 2 | 1 | - |
| | DX | 1 | - | - | 1 | - | - | - | 1 | - | - | - | - |



| Page | Pos | Code | Description | Info |
|------|-----|---------|-------------------------|-------------|
| 002 | 003 | 34D6570 | MOTOR UNIT | 01/09/1998- |
| 002 | 004 | 34D6600 | EVAPORATOR ASS.Y | 01/09/1998- |
| 002 | 005 | 32V1270 | RELAY | 01/09/1998- |
| 002 | 006 | 32V1430 | ENGINECUTOUT | 01/09/1998- |
| 002 | 007 | 33A1200 | AUXIL.VALVE | 01/09/1998- |
| 002 | 008 | 32V1490 | CONDENSER | 01/09/1998- |
| 002 | 009 | 34D6740 | COMPRESSOR | 01/09/1998- |
| 002 | 010 | 32M6870 | FAN MOTOR | 07/12/2001- |
| 002 | 011 | 34D6490 | CONDENSER | 01/09/1998- |
| 002 | 013 | 36C3960 | FOOT | 15/11/1999- |
| 002 | 014 | 30T3440 | BOTTOM BRACKET | 01/09/1998- |
| 002 | 015 | 36C3100 | TOP BRACKET | 01/09/1998- |
| 002 | 016 | 36C3260 | TOP BRACKET | 01/09/1998- |
| 002 | 018 | 32W1930 | BIPOLARSWITCH | 01/09/1998- |
| 002 | 019 | 32V6900 | DIGITAL THERMOREGULATOR | 10/02/2003- |
| 002 | 021 | 34D6430 | EVAPORATOR | 01/09/1998- |
| 002 | 022 | 32M6000 | TANGENTIAL FAN | 23/11/1998- |
| 002 | 023 | 40A1756 | BODY | 01/09/1998- |
| 002 | 026 | 30T3430 | RISER | 01/09/1998- |
| 002 | 027 | 30T3550 | HORIZONTALRISER | 01/09/1998- |
| 002 | 031 | 32D0220 | CABLE CLAMP Ø 16 | 01/09/1998- |
| 002 | 032 | 32D0680 | CABLE CLAMP | 01/09/1998- |
| 002 | 033 | 32D0700 | CABLE CLAMP | 01/09/1998- |
| 002 | 034 | 32D0750 | TERMINAL BOARD | 01/09/1998- |
| 002 | 035 | 32M2510 | FAN | 01/09/1998- |
| 002 | 036 | 33A0180 | FILTER | 01/09/1998- |
| 002 | 037 | 35C8630 | FRAME | 01/09/1998- |
| 002 | 038 | 35G9740 | PANEL BOARD | 27/10/2001- |
| 002 | 039 | 35G9750 | PANEL-BOARDCOVER | 27/10/2001- |
| 002 | 040 | 35G9700 | CONTROL BOARD | 27/10/2001- |
| 002 | 041 | 35P0460 | CONVEYOR | 01/09/1998- |
| 002 | 042 | 35P0490 | FAN GUARD | 01/09/1998- |
| 002 | 043 | 35P0500 | FAN GUARD | 01/09/1998- |
| 002 | 044 | 35P0510 | SUPPORT | 01/09/1998- |
| 002 | 045 | 35P0590 | LEFT EVAP.GUARD | 01/09/1998- |
| 002 | 046 | 35P0600 | RIGHTEVAP.GUARD | 01/09/1998- |
| 002 | 047 | 35R4400 | EVAP.SUPPORT | 01/09/1998- |
| 002 | 048 | 35G9730 | SUPPORT | 27/10/2001- |
| 002 | 049 | 35H2640 | SUPPORT | 27/10/2001- |
| 002 | 050 | 35R4640 | BACKPANEL | 01/09/1998- |
| 002 | 051 | 35R5100 | CONTROL BOARD | 01/09/1998- |
| 002 | 052 | 35R5660 | FASTENING PLATE | 01/09/1998- |
| 002 | 053 | 35S3050 | TRAY SLIDE | 01/09/1998- |
| 002 | 054 | 35V3470 | GUIDE SUPPORT | 01/09/1998- |
| 002 | 056 | 35W3090 | TRAY | 01/09/1998- |
| 002 | 057 | 36C2031 | FAN GUARD | 01/09/1998- |
| 002 | 058 | 36D4610 | BUSHING | 01/09/1998- |
| 002 | 059 | 36E4780 | CONDENS. DRAIN | 07/09/2004- |
| 002 | 060 | 36E0350 | CABLE CAMP | 01/09/1998- |
| 002 | 061 | 36E0890 | TRIM FRAME | 01/09/1998- |
| 002 | 062 | 36E0910 | TRIM FRAME | 01/09/1998- |

| Page | Pos | Code | Description | Info |
|------|-----|---------|---------------------|-------------|
| 002 | 063 | 36E0930 | TRIM FRAME | 01/09/1998- |
| 002 | 064 | 36E0970 | TRIM FRAME | 01/09/1998- |
| 002 | 065 | 36G8640 | SUPPORT | 01/09/1998- |
| 002 | 066 | 36G8660 | BUSHING | 01/09/1998- |
| 002 | 068 | 36Q1200 | PLUG | 01/09/1998- |
| 002 | 069 | 36Q1560 | PLUG | 01/09/1998- |
| 002 | 070 | 36Z0300 | COND. TRAY | 01/09/1998- |
| 002 | 071 | 36Z0490 | ENGINE CUTOFF | 01/09/1998- |
| 002 | 072 | 37M9400 | CONTROL BOARD | 01/09/1998- |
| 002 | 073 | 35H2930 | PANEL-BOARDCOVER | 27/10/2001- |
| 003 | 001 | 30W3330 | DRAWER FRAME | 01/09/1998- |
| 003 | 002 | 35R5130 | GUIDE SUPP. | 01/09/1998- |
| 003 | 003 | 35R5120 | GUIDE SUPP. | 01/09/1998- |
| 003 | 004 | 36M5380 | TELESCOPIC LH GUIDE | 01/09/1998- |
| 003 | 005 | 36M5390 | TELESCOPIC RH GUIDE | 01/09/1998- |
| 003 | 006 | 35R5140 | SUPPORT | 01/09/1998- |
| 003 | 007 | 37Q3950 | GASKET | 01/09/1998- |
| 003 | 008 | 30F0330 | DRAWER UNIT 1/2 | 01/09/1998- |
| 003 | 009 | 36D3820 | PLUG | 01/09/1998- |
| 003 | 010 | 6008640 | DRAWER REPLACEM 1/2 | 01/09/1998- |
| 004 | 001 | 30F0120 | DOOR | 01/09/1998- |
| 004 | 002 | 36D0630 | PLUG | 01/09/1998- |
| 004 | 003 | 36D3820 | PLUG | 01/09/1998- |
| 004 | 004 | 37Q3870 | GASKET | 01/09/1998- |
| 004 | 005 | 6008620 | LEFT DOOR REPLACE | 01/09/1998- |
| 004 | 006 | 6008630 | RIGHT DOOR REPLAC | 01/09/1998- |