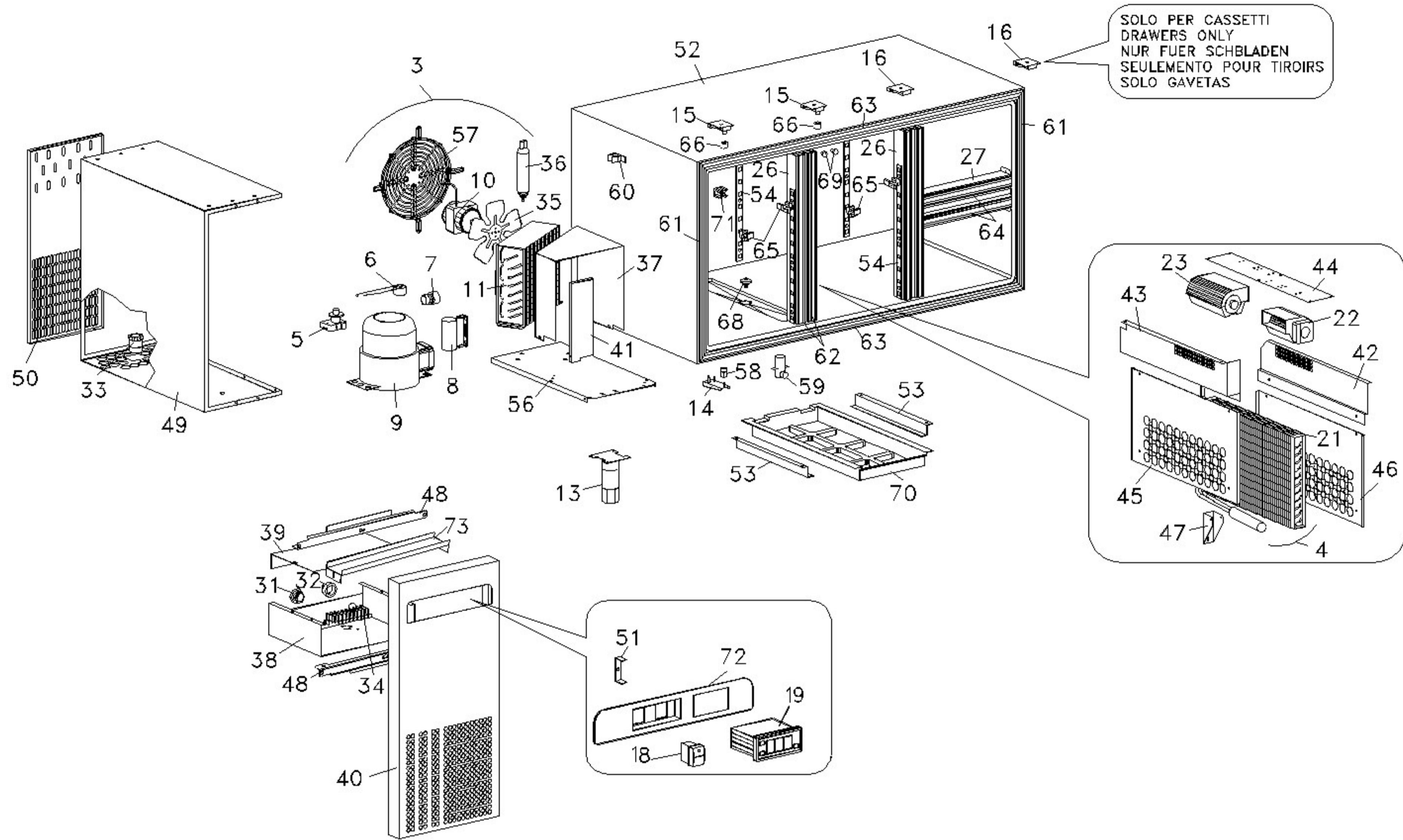




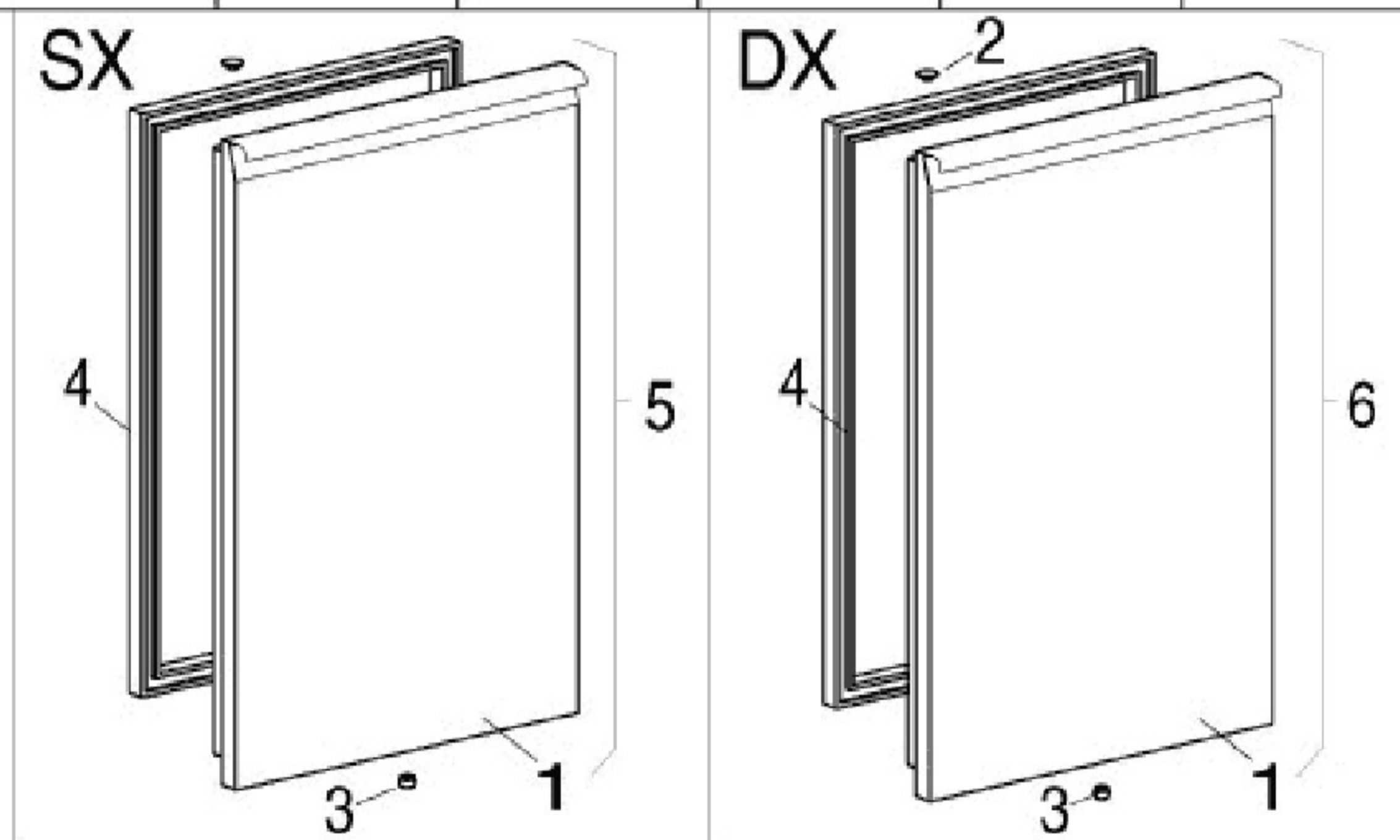
6SMB

Edition 20040907-



Modello Typ Model Modelle Modelo

		6SMAM 6SMAB 6SMAA 6SMAZ 6SMA	6SMA2M 6SMA2B 6SMA2A 6SMA2Z 6SMA2	6SMA4M 6SMA4B 6SMA4A 6SMA4Z 6SMA4	6SMBM 6SMBB 6SMB 6SMBZ	6SMB2M 6SMB2B 6SMB2A 6SMB2Z 6SMB2	6SMB4M 6SMB4B 6SMB4A 6SMB4Z 6SMB4	6SMB6M 6SMB6B 6SMB6A 6SMB6Z 6SMB6	6SMCM 6SMCB 6SMCA 6SMCZ 6SMC	6SMC2M 6SMC2B 6SMC2A 6SMC2Z 6SMC2	6SMC4M 6SMC4B 6SMC4A 6SMC4Z 6SMC4	6SMC6M 6SMC6B 6SMC6A 6SMC6Z 6SMC6	6SMC8M 6SMC8B 6SMC8A 6SMC8Z 6SMC8
Porte Türe Doors Portes Portas Gabetas	SX	1	1	-	2	2	1	-	3	3	2	1	-
	DX	1	-	-	1	-	-	-	1	-	-	-	-



Page	Pos	Code	Description	Info
002	003	34D6580	MOTOR UNIT	01/09/1998-
002	004	34D6610	EVAPORATOR ASS.Y	01/09/1998-
002	005	32V1240	RELAY	01/09/1998-
002	006	32V1390	ENGINECUTOUT	01/09/1998-
002	007	33A1200	AUXIL.VALVE	01/09/1998-
002	008	32V1490	CONDENSER	01/09/1998-
002	009	34D6500	COMPRESSOR	01/09/1998-
002	010	32M6870	FAN MOTOR	07/12/2001-
002	011	34D6180	CONDEN.+BAFFLE	01/09/1998-
002	013	36C3960	FOOT	15/11/1999-
002	014	30T3440	BOTTOM BRACKET	01/09/1998-
002	015	36C3100	TOP BRACKET	01/09/1998-
002	016	36C3260	TOP BRACKET	01/09/1998-
002	018	32W1930	BIPOLARSWITCH	01/09/1998-
002	019	32V6900	DIGITAL THERMOREGULATOR	10/02/2003-
002	021	34D6430	EVAPORATOR	01/09/1998-
002	022	32M6000	TANGENTIAL FAN	23/11/1998-
002	023	32M5920	TANGENTIAL FAN	23/11/1998-
002	026	30T3430	RISER	01/09/1998-
002	027	30T3550	HORIZONTALRISER	01/09/1998-
002	031	32D0220	CABLE CLAMP Ø 16	01/09/1998-
002	032	32D0680	CABLE CLAMP	01/09/1998-
002	033	32D0700	CABLE CLAMP	01/09/1998-
002	034	32D0750	TERMINAL BOARD	01/09/1998-
002	035	32M2510	FAN	01/09/1998-
002	036	33A0180	FILTER	01/09/1998-
002	037	35C8630	FRAME	01/09/1998-
002	038	35G9740	PANEL BOARD	27/10/2001-
002	039	35G9750	PANEL-BOARDCOVER	27/10/2001-
002	040	35G9700	CONTROL BOARD	27/10/2001-
002	041	35P0460	CONVEYOR	01/09/1998-
002	042	35P0490	FAN GUARD	01/09/1998-
002	043	35P0500	FAN GUARD	01/09/1998-
002	044	35P0510	SUPPORT	01/09/1998-
002	045	35P0590	LEFT EVAP.GUARD	01/09/1998-
002	046	35P0600	RIGHTEVAP.GUARD	01/09/1998-
002	047	35R4400	EVAP.SUPPORT	01/09/1998-
002	048	35G9730	SUPPORT	27/10/2001-
002	049	35H2640	SUPPORT	27/10/2001-
002	050	35R4640	BACKPANEL	01/09/1998-
002	051	35R5100	CONTROL BOARD	01/09/1998-
002	052	40A1692	BODY	01/09/1998-
002	053	35S3050	TRAY SLIDE	01/09/1998-
002	054	35V3470	GUIDE SUPPORT	01/09/1998-
002	056	35W3090	TRAY	01/09/1998-
002	057	36C2031	FAN GUARD	01/09/1998-
002	058	36D4610	BUSHING	01/09/1998-
002	059	36E4780	CONDENS. DRAIN	07/09/2004-
002	060	36E0350	CABLE CAMP	01/09/1998-
002	061	36E0890	TRIM FRAME	01/09/1998-
002	062	36E0910	TRIM FRAME	01/09/1998-

Page	Pos	Code	Description	Info
002	063	36E0900	TRIM FRAME	01/09/1998-
002	064	36E0970	TRIM FRAME	01/09/1998-
002	065	36G8640	SUPPORT	01/09/1998-
002	066	36G8660	BUSHING	01/09/1998-
002	068	36Q1200	PLUG	01/09/1998-
002	069	36Q1560	PLUG	01/09/1998-
002	070	36Z0300	COND. TRAY	01/09/1998-
002	071	36Z0490	ENGINE CUTOUT	01/09/1998-
002	072	37M9400	CONTROL BOARD	01/09/1998-
002	073	35H2930	PANEL-BOARDCOVER	27/10/2001-
003	001	30F0120	DOOR	01/09/1998-
003	002	36D0630	PLUG	01/09/1998-
003	003	36D3820	PLUG	01/09/1998-
003	004	37Q3870	GASKET	01/09/1998-
003	006	6008630	RIGHT DOOR REPLAC	01/09/1998-