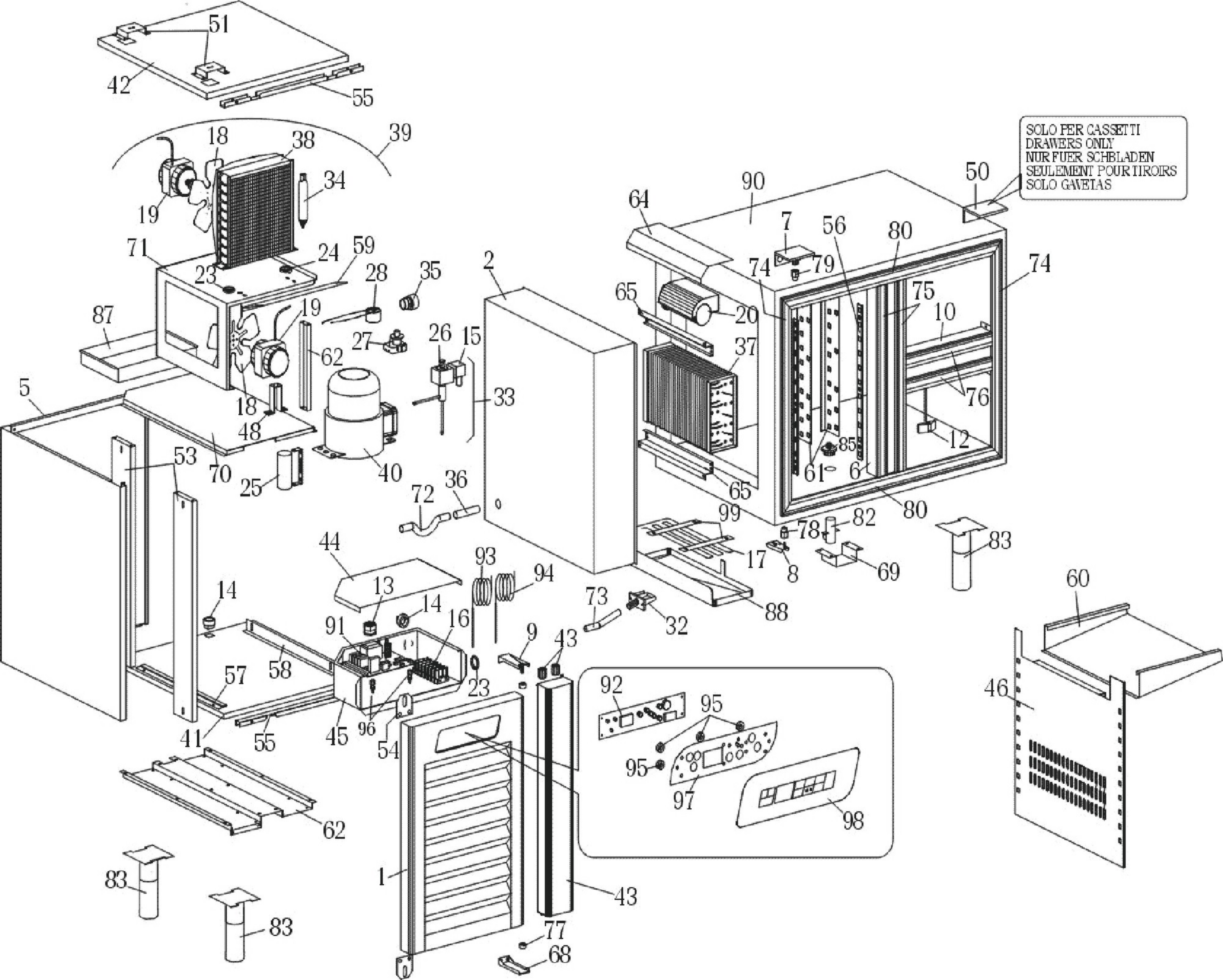




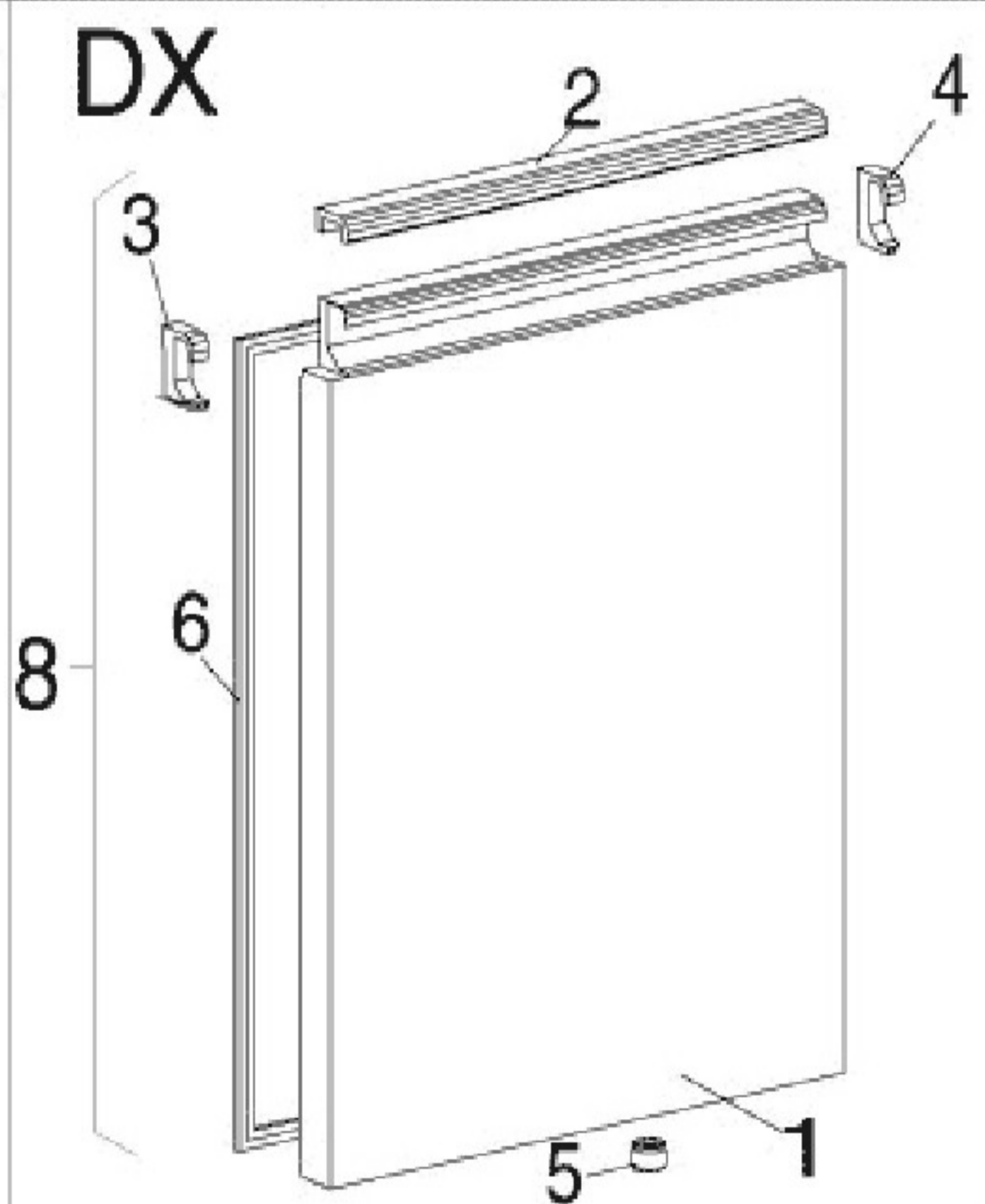
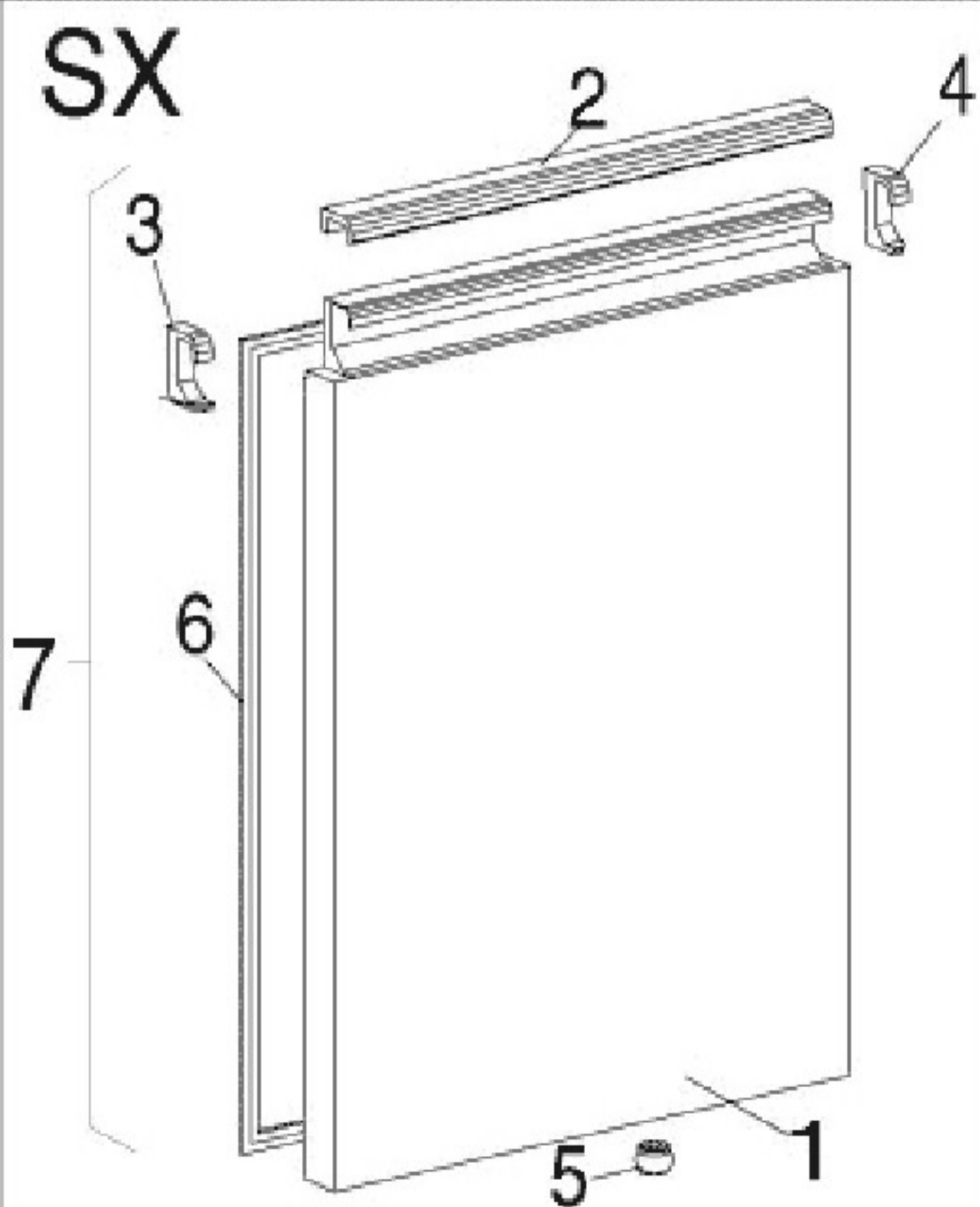
BE1A

Edition 20011205-



Modello Typ Model Modelle Modelo

Porte Türe Doors Portes Portas Gabetas	SX	6BEAM 6BEAB 6BEAA BE1A 6BEAZ 1	6BEA2M 6BEA2B 6BEA2A BE1A/2 6BEA2Z 1	6BEA11M 6BEA11B 6BEA11A BE1A/11 6BEA11Z 1	6BEA3M 6BEA3B 6BEA3A BE1A/3 6BEA3Z 1	6BEBE 6BEBB 6BEBA BE1B 6BEBZ 2	6BEB2M 6BEB2B 6BEB2A BE1B/2 6BEB2Z 2	6BEB4M 6BEB4B 6BEB4A BE1B/4 6BEB4Z 1	6BEB11M 6BEB11B 6BEB11A BE1B/11 6BEB11Z 2	6BEB22M 6BEB22B 6BEB22A BE1B/22 6BEB22Z 1
	DX	1	-	-	-	1	-	-	-	-
Porte Türe Doors Portes Portas Gabetas	SX	6BEB3M 6BEB3B 6BEB3A BE1B/3 6BEB3Z 2	6BECM 6BECB 6BECA BE1C 6BECZ 3	6BEC2M 6BEC2B 6BEC2A BE1C/2 6BEC2Z 3	6BEC4M 6BEC4B 6BEC4A BE1C/4 6BEC4Z 2	6BEC6M 6BEC6B 6BEC6A BE1C/6 6BEC6Z 1	6BEC11M 6BEC11B 6BEC11A BE1C/11 6BEC11Z 3	6BEC22M 6BEC22B 6BEC22A BE1C/22 6BEC22Z 2	6BEC33M 6BEC33B 6BEC33A BE1C/33 6BEC33Z 1	6BEC3M 6BEC3B 6BEC3A BE1C/3 6BEC3Z 3
	DX	-	1	-	-	-	-	-	-	-



Page	Pos	Code	Description	Info
002	001	30A2880	CONTROL BOARD	01/06/1997-
002	002	30D4560	STOPPING COMPON.	01/06/1997-
002	005	35C4430	SIDE-BACK PANEL	01/06/1997-
002	006	30T6190	RISER	01/06/1997-
002	009	30T6270	INSTR/BD BRACKET	01/06/1997-
002	012	32D0020	CABLE CLAMP Ø 4 - 12	01/06/1997-
002	013	32D0220	CABLE CLAMP Ø 16	01/06/1997-
002	014	32D0680	CABLE CLAMP	01/06/1997-
002	015	32D0710	THREE-POLE CONNECTOR	01/06/1997-
002	016	32D0690	TERMINAL BOARD	01/06/1997-
002	017	32G0240	HEATING ELEMENT	01/06/1997-
002	018	32M2510	FAN	01/06/1997-
002	019	32M6870	FAN MOTOR	05/12/2001-
002	020	32M5920	TANGENTIAL FAN	23/11/1998-
002	023	32X0140	GROMMET Ø13,5-Ø25	01/06/1997-
002	024	32X0340	GROMMET	01/06/1997-
002	025	32Z7710	CONDENSER	09/04/1999-
002	026	32Z2750	COIL	01/06/1997-
002	027	32V3370	RELAY	09/04/1999-
002	028	32V3380	ENGINE CUTOUT	09/04/1999-
002	032	3300030	CONDENS. DRAIN	01/06/1997-
002	033	33A0510	DEFROST SOL. VALVE	01/06/1997-
002	034	33A0180	FILTER	01/06/1997-
002	035	33A1200	AUXIL.VALVE	01/06/1997-
002	036	33Q5970	SLEEVE	01/06/1997-
002	037	34D3390	EVAPORATOR	09/04/1999-
002	038	32Z3420	CONDENSER	01/06/1997-
002	039	34D5570	MOTOR UNIT	09/04/1999-
002	040	34D5500	COMPRESSOR	09/04/1999-
002	041	35B7800	BOTTOM PANEL	01/06/1997-
002	042	35C4440	TOP PANEL	01/06/1997-
002	043	35B7840	INSTR.BOARD RISER	01/06/1997-
002	044	35G7260	PANEL-BOARD COVER	01/06/1997-
002	045	35Q7970	PANEL BOARD	01/06/1997-
002	046	35Q7980	EVAPORATOR GUARD	01/06/1997-
002	047	35T0390	SPACER PIPE	01/06/1997-
002	048	35U4420	FAN SUPPORT	01/06/1997-
002	051	35V3300	SHELF OMEGA	01/06/1997-
002	053	35V3340	MOT.COMP.RISER	01/06/1997-
002	054	35V3410	INSTR/BD PLATE	01/06/1997-
002	055	35V3420	CROSS MEMBER	01/06/1997-
002	057	35V3490	LH GUIDE	01/06/1997-
002	058	35V3500	RH GUIDE	01/06/1997-
002	059	35V3510	TRIM	01/06/1997-
002	060	35V3540	CONVEYOR	01/06/1997-
002	061	35V4130	BACK GUIDE SUPPORT	01/06/1997-
002	062	35V4240	FOOT-HOLDER OM.	01/06/1997-
002	064	35V4850	SUPPORT	01/06/1997-
002	065	35V4860	EVAPORATOR SUPPORT.	01/06/1997-
002	066	35V5200	TRAY SUPP.	01/06/1997-
002	068	35V6460	BOTTOM BRACKET	01/06/1997-

Page	Pos	Code	Description	Info
002	069	35V6600	DRAIN GUARD	01/06/1997-
002	070	35W4540	LOWER TRAY	01/06/1997-
002	071	35W4550	TRAY	01/06/1997-
002	072	35X1640	DRAIN TRAP	01/06/1997-
002	073	35X2230	DRAIN	01/06/1997-
002	074	36D3560	VERT.FRAME	01/06/1997-
002	075	36D3610	BORDER FRAME	01/06/1997-
002	076	36D3860	TRIM FRAME	01/06/1997-
002	077	36D4600	SPACER	01/06/1997-
002	080	36D5530	TRIM FRAME	01/06/1997-
002	082	36D7100	CONDENS. DRAIN	01/06/1997-
002	083	36C3960	FOOT	15/11/1999-
002	086	36Q1400	PLUG	01/06/1997-
002	087	36Z0010	TRAY	01/06/1997-
002	088	36Z0030	TRAY	01/06/1997-
002	090	40A0237	FRAME	01/06/1997-
002	091	6006310	P.C.B. (REFRIG. COUNTERS)	01/06/1997-
002	092	32V0140	P.C.B.	01/06/1997-
002	093	32V0150	TEMP. PROBE	01/06/1997-
002	094	32V0150	TEMP. PROBE	01/06/1997-
002	095	36D9920	SPACER	01/06/1997-
002	096	36D9950	SPACER	01/06/1997-
002	097	3600850	PANEL SUPPORT	01/06/1997-
002	098	37M4850	PLASTIC COATED PANEL	01/06/1997-
002	099	35V7930	TRAY RESIS. FASTENER	01/06/1997-
003	001	30G2440	DOOR	01/09/1998-
003	002	36D3400	DOOR TRIM	01/09/1998-
003	003	36D3590	LEFT HEAD	01/09/1998-
003	004	36D3600	RIGHT HEAD	01/09/1998-
003	005	36D3820	PLUG	01/09/1998-
003	006	37Q7590	GASKET	01/09/1998-
003	007	6000210	LEFT DOOR REPLACEMENT UNIT	01/09/1998-
003	008	6000220	RIGHT DOOR REPLACEMENT UNIT	01/09/1998-