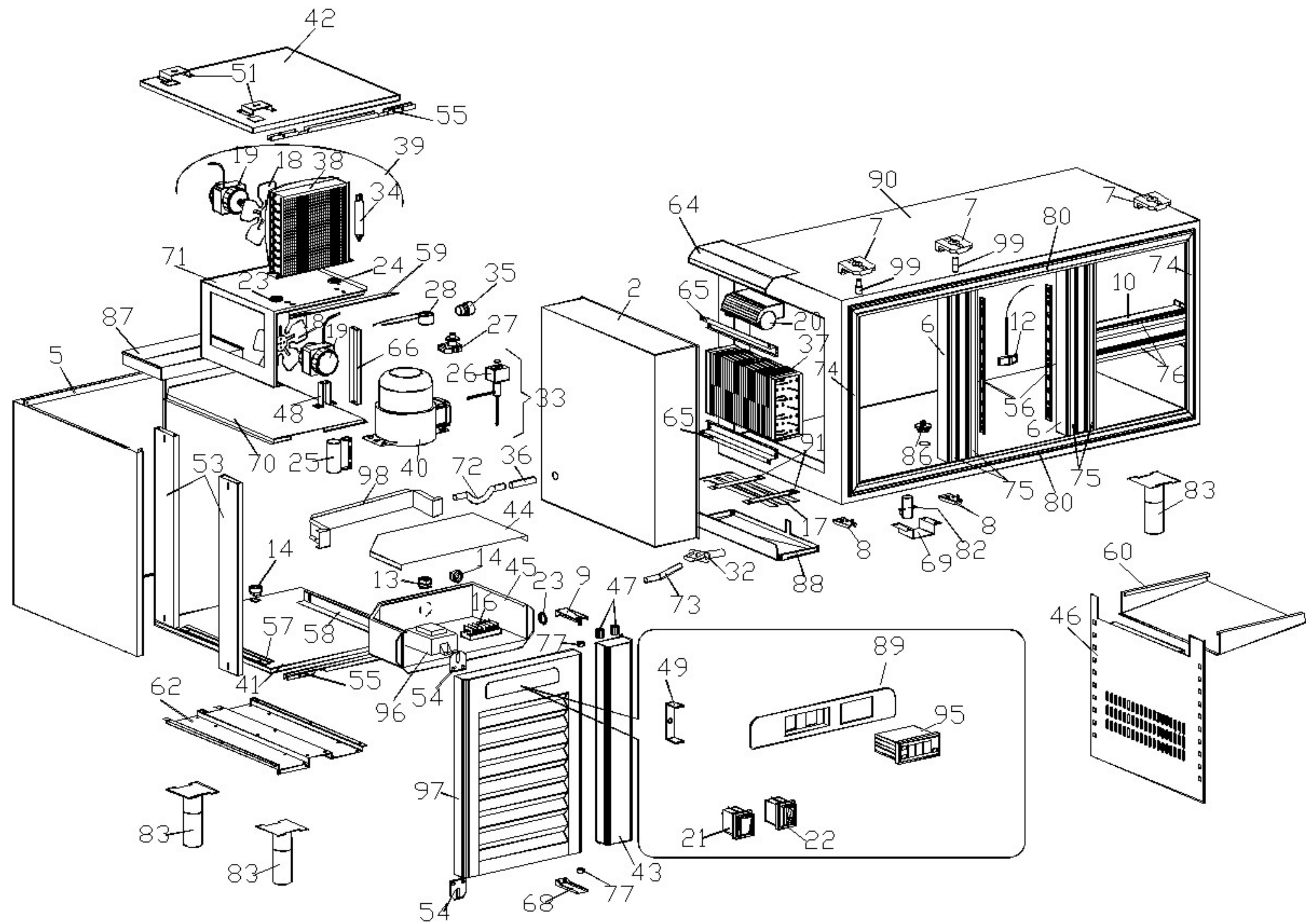




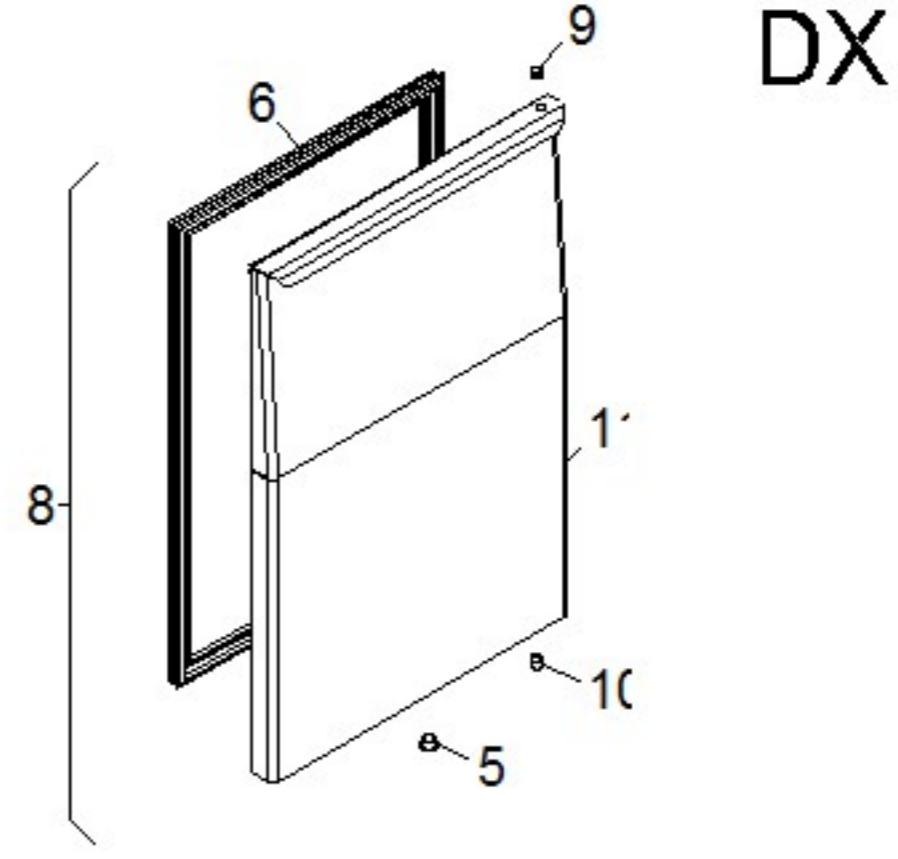
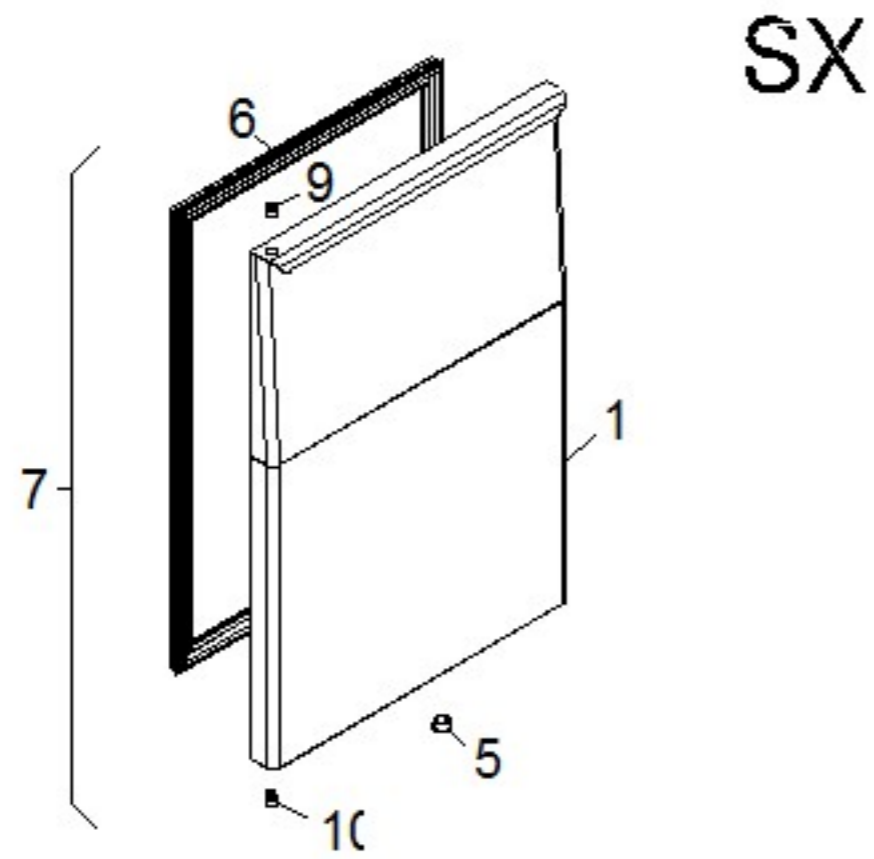
**BM1B**

**Edition 20050404-**



Modello Typ Model Modele Modelo

|  |    | 6BMAA<br>6BMAM<br>BM1A<br>6BMAZ      | 6BMA2A<br>6BMA2M<br>BM1A/2<br>6BMA2Z | 6BMA11A<br>6BMA11M<br>BM1A/11<br>6BMA11Z | 6BMA3A<br>6BMA3M<br>BM1A/3<br>6BMA3Z | 6BMBA<br>6BMBA<br>BM1B<br>6BMBZ      | 6BMB2A<br>6BMB2M<br>BM1B/2<br>6BMB2Z     | 6BMB4A<br>6BMB4M<br>BM1B/4<br>6BMB4Z     | 6BMB11A<br>6BMB11M<br>BM1B/11<br>6BMB11Z | 6BMB22A<br>6BMB22M<br>BM1B/22<br>6BMB22Z |
|--|----|--------------------------------------|--------------------------------------|--|--------------------------------------|--------------------------------------|--|--|--|--|
| Porte<br>Türen<br>Doors<br>Portes<br>Puertas | DX | 1                                    | 1                                    | 1  | 1                                    | 2                                    | 2  | 1  | 2  | 1  |
|  | SX | 1                                    | -                                    | -  | -                                    | 1                                    | -  | -  | -  | -  |
|  |    | 6BMB3A<br>6BMB3M<br>BM1B/3<br>6BMB3Z | 6BMCAM<br>6BMCAM<br>BM1C<br>6BMCZ    | 6BMC2A<br>6BMC2M<br>BM1C/2<br>6BMC2Z     | 6BMC4A<br>6BMC4M<br>BM1C/4<br>6BMC4Z | 6BMC6A<br>6BMC6M<br>BM1C/6<br>6BMC6Z | 6BMC11A<br>6BMC11M<br>BM1C/11<br>6BMC11Z | 6BMC22A<br>6BMC22M<br>BM1C/22<br>6BMC22Z | 6BMC33A<br>6BMC33M<br>BM1C/33<br>6BMC33Z | 6BMC3A<br>6BMC3M<br>BM1C/3<br>6BMC3Z     |
| Porte<br>Türen<br>Doors<br>Portes<br>Puertas | DX | 2                                    | 3                                    | 3  | 2                                    | 1                                    | 3  | 2  | 1  | 3  |
|  | SX | -                                    | 1                                    | -  | -                                    | -                                    | -  | -  | -  | -  |



| Page | Pos | Code    | Description               | Info        |
|------|-----|---------|---------------------------|-------------|
| 002  | 002 | 30D4560 | STOPPING COMPON.          | 01/06/1997- |
| 002  | 005 | 35C4430 | SIDE-BACK PANEL           | 01/06/1997- |
| 002  | 006 | 30T8000 | RISER                     | 04/04/2005- |
| 002  | 007 | 36C4910 | TOP BRACKET               | 04/04/2005- |
| 002  | 009 | 30T6270 | INSTR/BD BRACKET          | 01/06/1997- |
| 002  | 012 | 32D0020 | CABLE CLAMP Ø 4 - 12      | 01/06/1997- |
| 002  | 013 | 32D0220 | CABLE CLAMP Ø 16          | 01/06/1997- |
| 002  | 014 | 32D0680 | CABLE CLAMP               | 01/06/1997- |
| 002  | 016 | 32D0740 | TERMINAL BOARD            | 01/06/1997- |
| 002  | 017 | 32G0240 | HEATING ELEMENT           | 01/06/1997- |
| 002  | 018 | 32M2510 | FAN                       | 01/06/1997- |
| 002  | 019 | 32M6870 | FAN MOTOR                 | 05/12/2001- |
| 002  | 020 | 32M5970 | TANGENTIAL FAN            | 23/11/1998- |
| 002  | 021 | 32W2331 | BIPOLAR SWITCH            | 01/06/1997- |
| 002  | 022 | 32W3190 | PILOT-LIGHT 1-POLE SWITCH | 01/06/1997- |
| 002  | 023 | 32X0140 | GROMMET Ø13,5-Ø25         | 01/06/1997- |
| 002  | 024 | 32X0340 | GROMMET                   | 01/06/1997- |
| 002  | 025 | 32Z7730 | CONDENSER                 | 13/04/1999- |
| 002  | 026 | 32Z2750 | COIL                      | 01/06/1997- |
| 002  | 027 | 32V3350 | RELAY                     | 13/04/1999- |
| 002  | 028 | 32V3360 | ENGINE CUTOUT             | 13/04/1999- |
| 002  | 032 | 36E2790 | CONDENS. DRAIN            | 19/06/2001- |
| 002  | 033 | 33A0510 | DEFROST SOL. VALVE        | 01/06/1997- |
| 002  | 034 | 33A0180 | FILTER                    | 01/06/1997- |
| 002  | 035 | 33A1200 | AUXIL.VALVE               | 01/06/1997- |
| 002  | 036 | 33Q5970 | SLEEVE                    | 01/06/1997- |
| 002  | 037 | 34D5590 | EVAPORATOR                | 13/04/1999- |
| 002  | 038 | 34D0750 | CONDENSER                 | 01/06/1997- |
| 002  | 039 | 34D5560 | MOTOR UNIT                | 13/04/1999- |
| 002  | 040 | 34D5490 | COMPRESSOR                | 13/04/1999- |
| 002  | 041 | 35B7800 | BOTTOM PANEL              | 01/06/1997- |
| 002  | 042 | 35C4440 | TOP PANEL                 | 01/06/1997- |
| 002  | 043 | 35B7840 | INSTR.BOARD RISER         | 01/06/1997- |
| 002  | 044 | 35G9660 | PANEL-BOARD COVER         | 10/09/2001- |
| 002  | 045 | 35G9690 | PANEL BOARD               | 10/09/2001- |
| 002  | 046 | 3043440 | EVAPORATOR GUARD          | 01/04/2005- |
| 002  | 047 | 35T0390 | SPACER PIPE               | 01/06/1997- |
| 002  | 048 | 35U4420 | FAN SUPPORT               | 01/06/1997- |
| 002  | 049 | 35V1010 | CONTROL BOARD C           | 16/06/1999- |
| 002  | 051 | 35V3300 | SHELF OMEGA               | 01/06/1997- |
| 002  | 053 | 35V3340 | MOT.COMP.RISER            | 01/06/1997- |
| 002  | 054 | 35V3410 | INSTR/BD PLATE            | 01/06/1997- |
| 002  | 055 | 35V3420 | CROSS MEMBER              | 01/06/1997- |
| 002  | 057 | 35V3490 | LH GUIDE                  | 01/06/1997- |
| 002  | 058 | 35V3500 | RH GUIDE                  | 01/06/1997- |
| 002  | 059 | 35V3510 | TRIM                      | 01/06/1997- |
| 002  | 060 | 3043450 | CONVEYOR                  | 04/04/2005- |
| 002  | 062 | 35V4240 | FOOT-HOLDER OM.           | 01/06/1997- |
| 002  | 064 | 35V4850 | SUPPORT                   | 01/06/1997- |
| 002  | 065 | 35V4860 | EVAPORATOR SUPPORT.       | 01/06/1997- |
| 002  | 066 | 35V5200 | TRAY SUPP.                | 01/06/1997- |

| Page | Pos | Code    | Description                 | Info        |
|------|-----|---------|-----------------------------|-------------|
| 002  | 068 | 35V6460 | BOTTOM BRACKET              | 01/06/1997- |
| 002  | 069 | 35V6600 | DRAIN GUARD                 | 01/06/1997- |
| 002  | 070 | 35W4540 | LOWER TRAY                  | 01/06/1997- |
| 002  | 071 | 35W4550 | TRAY                        | 01/06/1997- |
| 002  | 072 | 35X1640 | DRAIN TRAP                  | 01/06/1997- |
| 002  | 073 | 35X2230 | DRAIN                       | 01/06/1997- |
| 002  | 074 | 36D3560 | VERT.FRAME                  | 01/06/1997- |
| 002  | 075 | 36D3610 | BORDER FRAME                | 01/06/1997- |
| 002  | 076 | 36D3860 | TRIM FRAME                  | 01/06/1997- |
| 002  | 077 | 36D4600 | SPACER                      | 01/06/1997- |
| 002  | 080 | 36D3470 | TRIM FRAME                  | 01/06/1997- |
| 002  | 082 | 36E4780 | CONDENS. DRAIN              | 07/09/2004- |
| 002  | 083 | 36C3960 | FOOT                        | 15/11/1999- |
| 002  | 086 | 36Q1400 | PLUG                        | 01/06/1997- |
| 002  | 087 | 36Z0010 | TRAY                        | 01/06/1997- |
| 002  | 088 | 36Z0030 | TRAY                        | 01/06/1997- |
| 002  | 089 | 36Z6401 | CONTROL BOARD               | 09/07/2003- |
| 002  | 090 | 40K1947 | FRAME                       | 04/04/2005- |
| 002  | 091 | 35V7930 | TRAY RESIS. FASTENER        | 01/06/1997- |
| 002  | 095 | 32V7370 | DIGITAL THERMOREGULATOR     | 10/02/2003- |
| 002  | 096 | 32Z3470 | TRANSFORMER                 | 16/06/1999- |
| 002  | 097 | 30A5030 | CONTROL BOARD               | 07/09/2001- |
| 002  | 098 | 35G9670 | PANEL BOARD SUPPORT         | 10/09/2001- |
| 002  | 099 | 3191170 | PIN                         | 04/04/2005- |
| 003  | 001 | 30G4100 | LEFT DOOR                   | 04/04/2005- |
| 003  | 005 | 36D3820 | PLUG                        | 01/09/1998- |
| 003  | 006 | 37Q4710 | GASKET                      | 04/04/2005- |
| 003  | 007 | 60A0040 | LEFT DOOR REPLACEMENT UNIT  | 04/04/2005- |
| 003  | 008 | 60A0030 | RIGHT DOOR REPLACEMENT UNIT | 04/04/2005- |
| 003  | 009 | 36G8660 | BUSHING                     | 04/04/2005- |
| 003  | 010 | 36D4610 | BUSHING                     | 04/04/2005- |
| 003  | 011 | 30G4200 | RIGHT DOOR                  | 04/04/2005- |