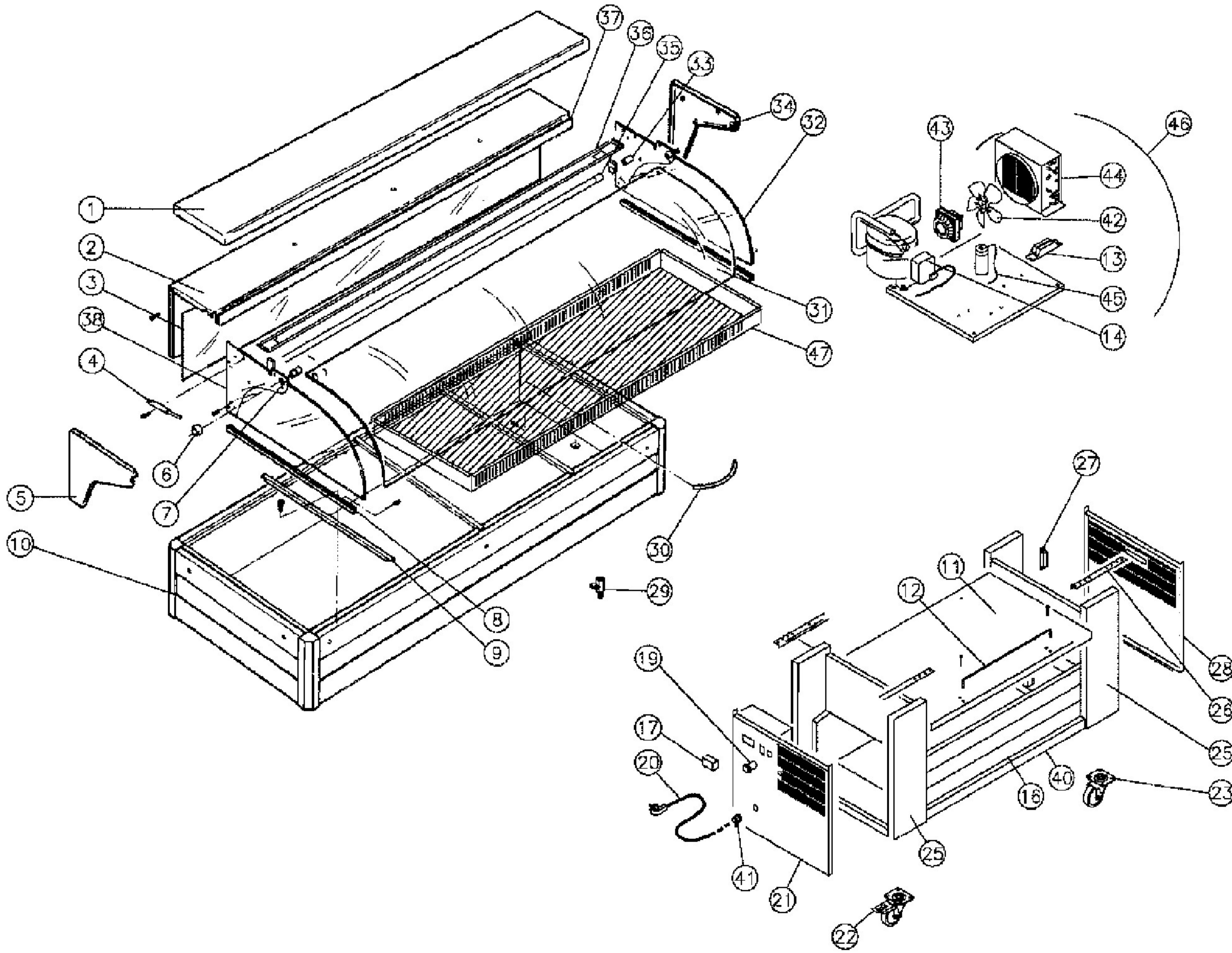




# **BRF4B**

**Edition 20060308-**



Pos	Code	Description	Info
001	BRF4B-Pos.001	Shelf	01/02/2002-
002	BRF4B-Pos.002	Rear panel	01/02/2002-
003	BRF4B-Pos.003	Rear mirror	01/02/2002-
004	36H1140	Gas spring	01/02/2002-
005	3117090	Glass-panel support (L), dark walnut	01/02/2002-
006	3028310	Bushing	01/02/2002-
007	BRF4B-Pos.007	Fork	01/02/2002-
008	BRF4B-Pos.008	Seal profile	01/02/2002-
009	3182840	Tray support	01/02/2002-
010	BRF4B-Pos.010	Foam-insulated unit	01/02/2002-
011	BRF4B-Pos.011	Bottom shelf	01/02/2002-
012	BRF4B-Pos.012	Profile	01/02/2002-
013	BRF4B-Pos.013	Power unit	01/02/2002-
014	3023160	COMPRESSOR	15/09/2005-
016	BRF4B-Pos.016	Reinforcement	01/02/2002-
017	3082040	Thermoregulator (PROVIDING MACHINE	08/03/2006-
019	3084550	Round button	01/02/2002-
020	32A3380	Lead + plug	01/02/2002-
021	BRF4B-Pos.021	Right grille	01/02/2002-
022	3132430	Castor with brake	29/11/2005-
023	3132440	Castor	29/11/2005-
025	BRF4B-Pos.025	Side panel (R/L)	01/02/2002-
026	BRF4B-Pos.026	L-shape bracket	01/02/2002-
027	BRF4B-Pos.027	Magnet	01/02/2002-
028	BRF4B-Pos.028	Left grille	01/02/2002-
029	BRF4B-Pos.029	Tap	01/02/2002-
030	BRF4B-Pos.030	Handle	01/02/2002-
031	36A5680	Glass casing	01/02/2002-
032	3183040	Glass panel	01/02/2002-
033	3048690	Starter	01/02/2002-
034	3117100	Glass-panel support (R), dark walnut	01/02/2002-
035	3087900	Neon strip	01/02/2002-
036	BRF4B-Pos.036	Bottom panel	01/02/2002-
037	BRF4B-Pos.037	Ceiling light	01/02/2002-
038	BRF4B-Pos.038	Glass-panel support (L)	01/02/2002-
040	BRF4B-Pos.040	Strip	01/02/2002-
041	3187600	Lead-stop	01/02/2002-
042	3082920	FAN	01/02/2002-
043	3048680	Motorised fan	01/02/2002-
044	3189910	CONDENSER	01/02/2002-
045	BRF4B-Pos.045	Electrolytic capacitor	01/02/2002-
046	3175000	Complete refrigerating counter	15/09/2005-
047	BRF4B-Pos.047	Undertray	01/02/2002-