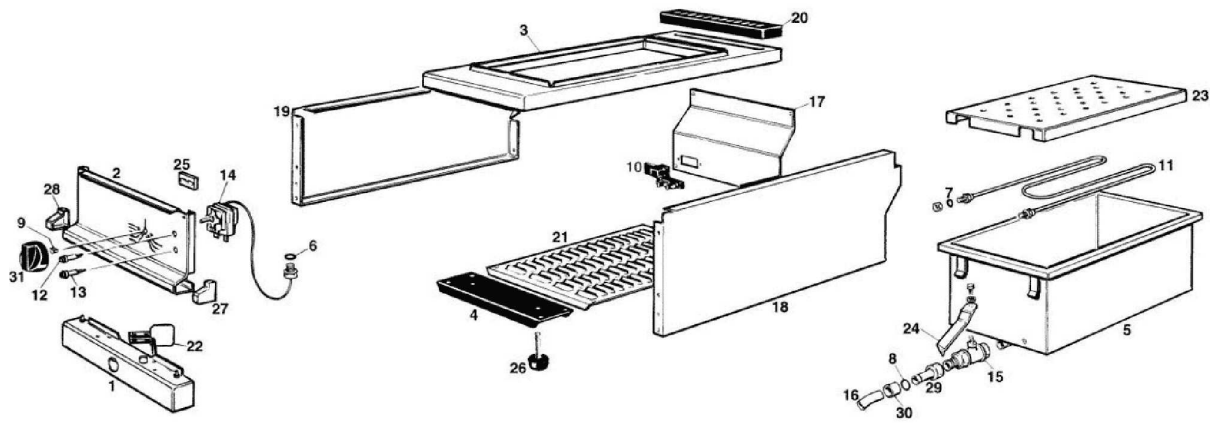




030BME

Edition 20070523-



Pos	Code	Description	Info
001	30A8990	FRONT PANEL	01/09/1993-
002	35B3540	UPPER CONTROL BOARD	01/09/1993-
003	30M1930	TOP ASS. Y	01/09/1993-
004	30T2531	FOOT HOUSING ASS. Y	01/09/1993-
005	30W2090	WELL ASS. Y	01/09/1993-
006	3150270	GASKET	01/09/1993-
007	3150390	"O" RING Ø 15.08	01/09/1993-
008	3150840	"O" RING Ø 18.77	01/09/1993-
009	3170290	KNOB SPRING	01/09/1993-
010	32D0380	TERMINAL BOARD	01/09/1993-
011	32G1250	HEATING ELEMENT	01/09/1993-
012	3106710	GREEN LIGHT 230V	23/05/2007-
013	3106730	ORANGE LIGHT 230V	23/05/2007-
014	32Z0410	THERMOSTAT	01/09/1993-
015	33D0170	COCK FF 3/4"	01/09/1993-
016	33Q5020	DRAIN PIPE 45° FF Ø 22	01/09/1993-
017	35A3530	REAR PANEL	01/09/1993-
018	35B2001	RH PANEL	01/09/1993-
019	35B2010	RH PANEL	01/09/1993-
020	35D4280	FLUE GUARD	01/09/1993-
021	35D4460	BOTTOM PLATE	01/09/1993-
022	35D4660	PROTECTION	01/09/1993-
023	35M5190	FALSE BOTTOM ASS. Y	01/09/1993-
024	35T3660	COCK HANDLE	01/09/1993-
025	35T9650	FLAT BRACKET	01/09/1993-
026	36D2970	ADJUSTABLE FOOT	01/09/1993-
027	36D3420	RH END SIDE	01/09/1993-
028	36D3430	LH END SIDE	01/09/1993-
029	36D4070	DRAIN CONNECTION	01/09/1993-
030	36D4080	DRAIN HOLE COVER	01/09/1993-
031	36M2400	ELECTRIC CONTROL KNOB	01/09/1993-
032	32Q2240	EL. CABLES 030BME	01/09/1993-