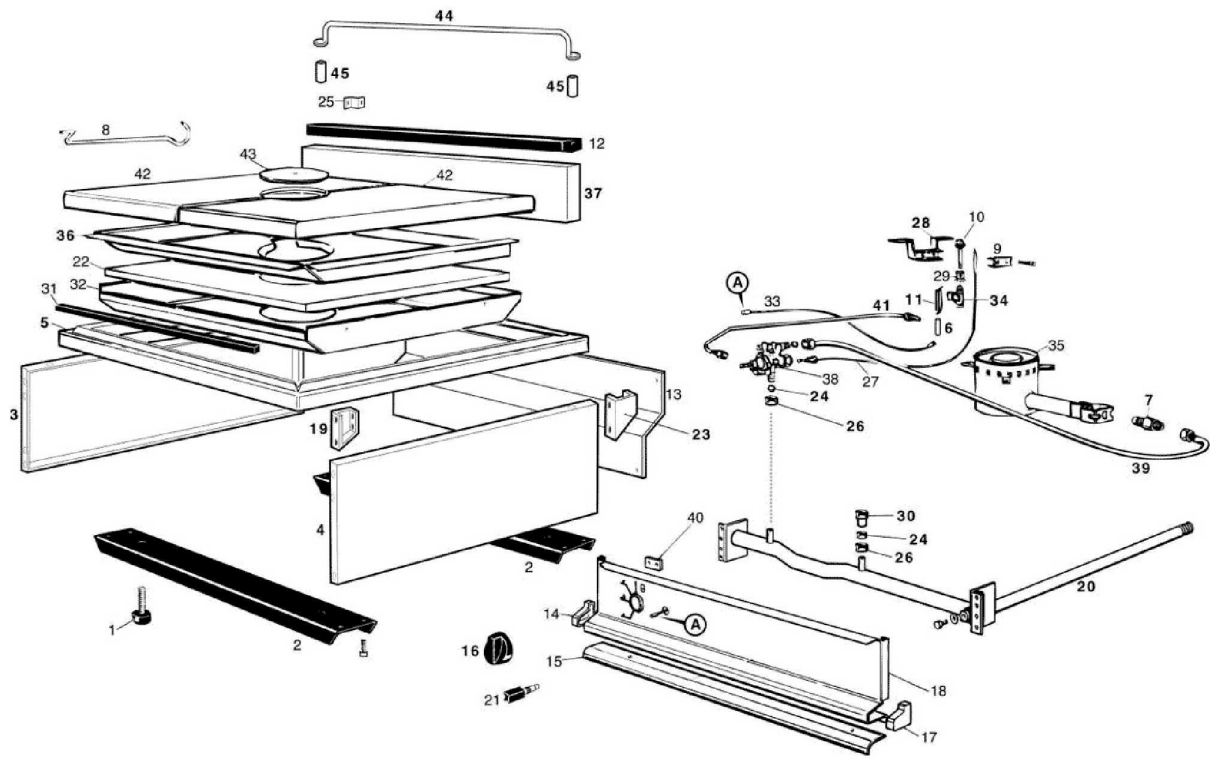




031TP

Edition 20100127-



Pos	Code	Description	Info
001	36D2970	ADJUSTABLE FOOT	01/11/1995-
002	30T2541	FOOT HOUSING ASS. Y	01/11/1995-
003	32A0210	CABLE "HF" 700MM	01/11/1995-
003	35C0590	LH PANEL	01/11/1995-
004	35C0600	RH PANEL	01/11/1995-
005	30M3600	TOP ASS. Y	01/11/1995-
006	131AA46	HOSE 8'X40	01/11/1995-
007	33Q5321	NOZZLE HOUSING	01/11/1995-
008	35T2260	HOOK	01/11/1995-
009	33A0950	REAR BRACKET	01/11/1995-
010	33A1081	THREE-FLAME BURNER	24/04/2008-
011	32T0010	IGNITION PLUG	27/01/2010-
012	35B2070	FLUE GUARD	01/11/1995-
013	35B2061	REAR PANEL	15/01/1996-
014	36D3430	LH END SIDE	01/11/1995-
015	35S1290	BRACKET	01/11/1995-
016	36M2390	GAS CONTROL KNOB	01/11/1995-
017	36D3420	RH END SIDE	01/11/1995-
018	35B9320	UPPER CONTROL BOARD	01/11/1995-
019	35Q8290	LEFT HAND PANEL	01/11/1995-
020	30Z1190	GAS MANIFOLD ASS. Y	01/11/1995-
021	32T0130	PIEZO IGNITION	01/11/1995-
022	37Q2670	INSULATING PANEL	01/11/1995-
023	35Q8300	RIGHT HAND PANEL	01/11/1995-
024	36Q0030	BICONE Ø12X8	01/11/1995-
025	35U0220	""Z"" BRACKET"	01/11/1995-
026	36Q0050	BICONE NUT Ø 12	01/11/1995-
027	33A0680	THERMOCOUPLE M8X1X600	13/06/2001-
028	35V9130	PILOT BURNER SUPPORT	01/11/1995-
029	33A0970	RING NUT	01/11/1995-
030	36Q0740	PLUG	01/11/1995-
031	157AA21	GASKET 16X16 (U.M = gr)	01/11/1995-
032	30D3930	COMBUSTION CHAMBER ASS.Y	01/11/1995-
033	32A0210	CABLE "HF" 700MM	01/11/1995-
034	33A2900	PILOT BURNER BODY	01/11/1995-
035	34A2550	BURNER Ø 160	07/06/2002-
036	35B4211	INSULATION PANEL COVER	01/11/1995-
037	35D8640	EXT FLUE ASS. Y	01/11/1995-
038	33A1040	GAS CONTROL	01/11/1995-
039	35X3580	BURNER PIPE	01/11/1995-
040	35T9650	FLAT BRACKET	01/11/1995-
041	35X3570	PILOT LIGHT PIPE	01/11/1995-
042	36A3130	HALF HOT PLATE	01/11/1995-
043	36A3160	HOLE COVER	01/11/1995-
044	3600460	FLUE GUARD	06/02/1997-
045	35X3340	SPACER PIPE	01/11/1995-