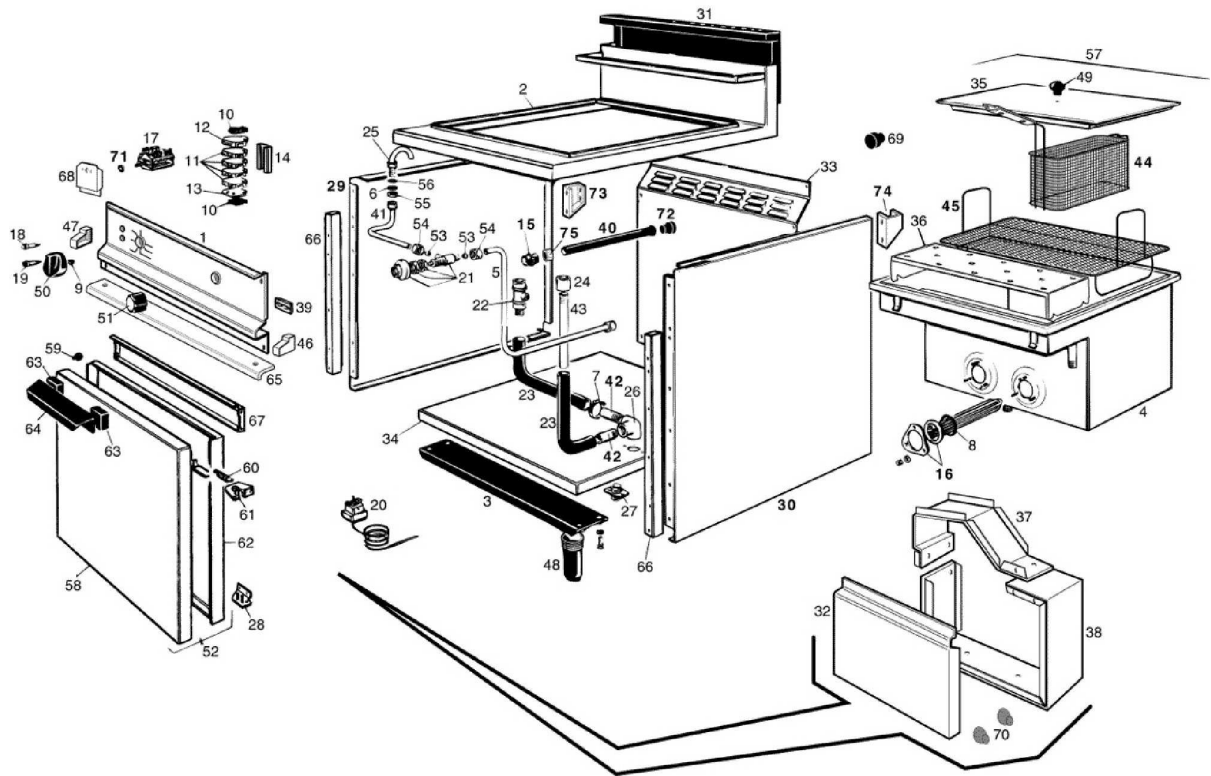




30CPSE

Edition 20110101-



Pos	Code	Description	Info
001	35B9400	UPPER CONTROL BOARD	01/09/1996-
002	30M2020	TOP ASS. Y	01/09/1996-
003	30T0030	FOOT HOUSING ASS. Y	01/09/1996-
004	30W2160	WELL ASS. Y	01/09/1996-
005	30Z7191	PIPE	01/09/1996-
006	3120740	WASHER	01/09/1996-
007	3140300	HOSE CLAMP	01/09/1996-
008	3150430	"O" RING Ø 56.52	01/09/1996-
009	3170290	KNOB SPRING	01/09/1996-
010	32D0060	TERMINAL CLAMPING BOARD	01/09/1996-
011	32D0470	LIVE TERMINAL	01/09/1996-
012	32D0480	GROUND TERMINAL	01/09/1996-
013	32D0490	TERMINAL END COVER	01/09/1996-
014	32D0500	"C" BRACKET	01/09/1996-
015	32D1250	PIPE JOINT 3/4"	01/09/1996-
016	32G1301	HEATING EL.	01/09/1996-
017	32W1050	SWITCH	01/09/1996-
018	3106720	RED LIGHT 230V	23/05/2007-
019	3106710	GREEN LIGHT 230V	23/05/2007-
020	32Z2710	SAFETY THERMOSTAT	01/09/1996-
021	33D0590	"COCK 3/8""	01/09/1996-
022	33D1740	COCK MF	01/09/1996-
023	33M0800	PIPE	01/09/1996-
024	33Q2260	SOCKET F 1"	01/09/1996-
025	33Q2730	WATER SPOUT	01/09/1996-
026	33Q2880	SIDE OUTLET ELBOW	01/09/1996-
027	33Q5730	NIPPLE ASS. Y	01/09/1996-
028	36M2500	RH LOWER HINGE	01/09/1996-
029	35C0530	ASS. Y LH PANEL	01/09/1996-
030	35C0580	RH PANEL	01/09/1996-
031	35B2330	FLUE COVERING	01/09/1996-
032	35V0210	COVER	01/09/1996-
033	35B2391	REAR PANEL	01/09/1996-
034	35M6561	BOTTOM PLATE	01/09/1996-
035	35G3020	WELL LID	01/09/1996-
036	35M5270	FALSE BOTTOM ASS. Y	01/09/1996-
037	35Q7230	UPPER PROTECT. PART EL.	01/09/1996-
038	35Q7220	BOX PROT. PART EL.	01/09/1996-
039	35T9650	FLAT BRACKET	01/09/1996-
040	35X3590	CABLE INLET PIPE	01/09/1996-
041	35Z1290	PIPE	01/09/1996-
042	35Z3490	SPACER PIPE	01/09/1996-
043	35Z6560	"PIPE Ø 1""X280"	01/09/1996-
044	36A2582	PASTA BASKET	01/09/1996-
045	36A2720	BOTTOM NET	01/09/1996-
046	36D3420	RH END SIDE	01/09/1996-
047	36D3430	LH END SIDE	01/09/1996-
048	36D4000	ADJUSTABLE FOOT	01/09/1996-
049	36M2130	HANDLE	01/09/1996-
050	36M2400	ELECTRIC CONTROL KNOB	01/09/1996-
051	36M2642	RED RING KNOB	01/01/2011-

Pos	Code	Description	Info
052	6011150	DOOR ASS.Y	01/09/1996-
053	36Q0080	BICONE Ø 10X6.5	01/09/1996-
054	36Q0140	BICONE NUT Ø 10	01/09/1996-
055	36Q1110	LOCK NUT 3/8"	01/09/1996-
056	37Q1210	"O" RING Ø 18.77"	01/09/1996-
057	6002030	COVER	01/09/1996-
058	35G4220	DOOR	01/09/1996-
059	36D6860	FOOT	01/09/1996-
060	36G5240	SPRING	01/09/1996-
061	36M2541	RH UPPER HINGE	01/09/1996-
062	3AG0120	INNER DOOR FRAME	01/09/1996-
063	36M3720	ASS.Y SPACER	01/09/1996-
064	36M3900	HANDLE	01/09/1996-
065	35S5090	BRACKET	01/09/1996-
066	35B4381	VERT. UP RIGHT	01/09/1996-
067	35Q5251	GUARD	01/09/1996-
068	35S6751	SUPPORT 030FE1	01/09/1996-
069	36Q1410	CAP	01/09/1996-
070	37Q3270	SWITCH COVER	01/09/1996-
071	3150790	THERMOSTAT PROTECT.	01/09/1996-
072	32D1260	BUSHING	01/09/1996-
073	35Q8290	LEFT HAND PANEL	01/09/1996-
074	35Q8300	RIGHT HAND PANEL	01/09/1996-
075	36Q1100	LOCK NUT 3/4"	01/09/1996-
076	32Q2380	EL. CABLES 30CPSE	01/09/1996-