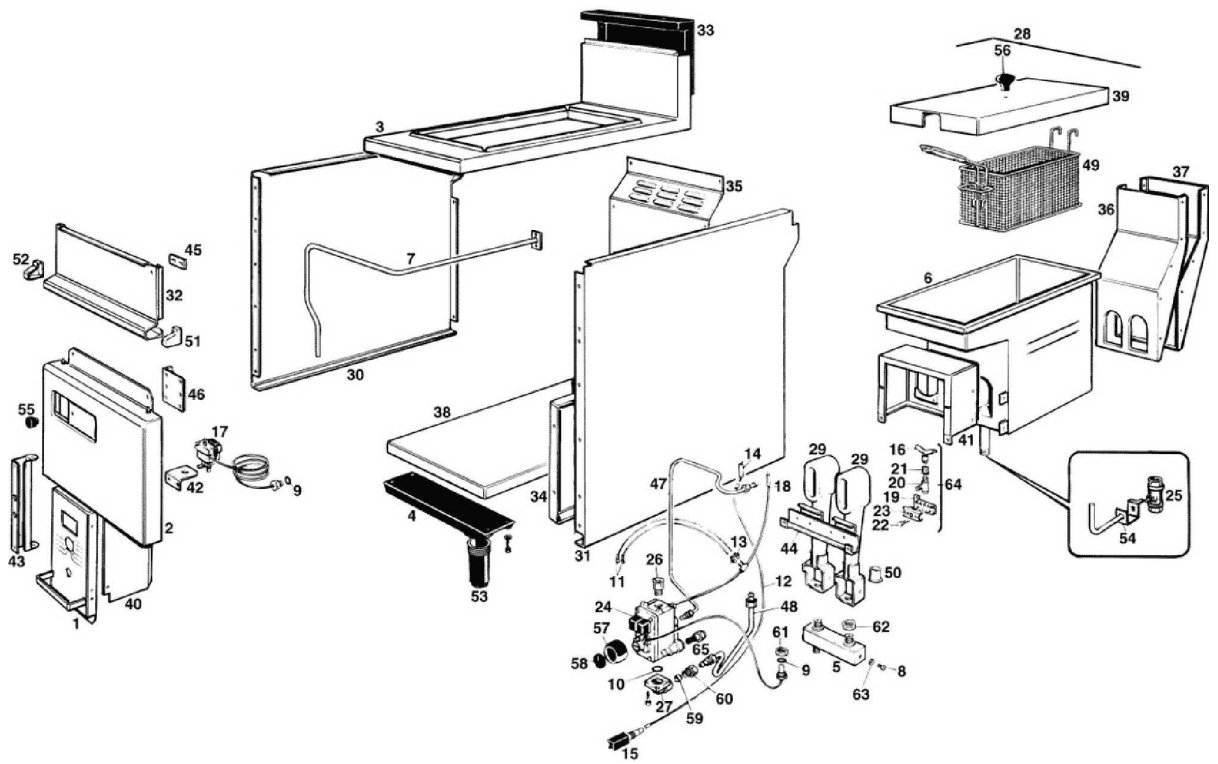




**30F**

**Edition 20040722-**



Pos	Code	Description	Info
001	3AA0101	UPPER CONTROL BOARD	01/09/1993-
002	30A2790	FRONT PANEL COMP.	01/09/1993-
003	30M1850	TOP ASS. Y	01/09/1993-
004	30T0040	FOOT HOUSING ASS. Y	01/09/1993-
005	30Z7230	GAS MANIFOLD ASS. Y	01/09/1993-
006	30W2020	WELL ASS. Y	01/09/1993-
007	30Z0040	GAS MANIFOLD ASS. Y	01/09/1993-
008	31A7380	SCREW TE M5X10	01/09/1993-
009	3150390	"O" RING Ø 15.08	01/09/1993-
010	3150770	"O" RING Ø 21	01/09/1993-
011	32A0190	CABLE 600MM	01/09/1993-
012	32A0210	CABLE "HF" 700MM	01/09/1993-
013	32D1450	TERMINAL	31/01/2003-
014	32T0060	IGNITION PLUG	01/09/1993-
015	32T0130	PIEZO IGNITION	01/09/1993-
016	32Z2241	2 FLAMES BURNER	01/09/1993-
017	32Z8000	SAFETY THERMOSTAT	01/09/1993-
018	6021770	INTERRUPTED THERMOC.	01/06/2001-
019	33A1000	M9X1X1000 CAB FRONT BRACKET	01/09/1993-
020	33A0960	PILOT BURNER BODY	01/09/1993-
021	33A0970	Ø0,25 RING NUT	01/09/1993-
022	33A0980	SCREW 3/16W. X18TE	01/09/1993-
023	33A0950	REAR BRACKET	01/09/1993-
024	33A1370	GAS THERMOSTAT	01/09/1993-
025	33D0170	COCK FF 3/4"	01/09/1993-
026	33Q2571	"REDUCTION MF	22/07/2004-
027	33Q2650	3/8""-1/2"" "ELBOW MF 3/8""	01/09/1993-
028	6002020	COVER	01/09/1993-
029	34A1530	VERTICAL BURNER	01/09/1993-
030	35B2161	LH PANEL	01/09/1993-
031	35B2170	RH PANEL	01/09/1993-
032	35B2531	UPPER CONTROL BOARD	01/09/1993-
033	35B2360	FLUE COVERING	01/09/1993-
034	35B2370	PANEL	01/09/1993-
035	35B2380	REAR PANEL	01/09/1993-
036	35D4360	HALF FLUE FRONT PLATE	01/09/1993-
037	35D4370	HALF FLUE REAR PLATE	01/09/1993-
038	35D4420	BOTTOM PLATE	01/09/1993-
039	35G0020	WELL LID	01/09/1993-
040	35Q0830	VALVE PROTECTION	01/09/1993-
041	35Q6800	BURNER HOUSING	01/09/1993-
042	35S0380	"Z" BRACKET	01/09/1993-
043	35S0390	VALVE SUPPORT	01/09/1993-
044	35S0400	BURNER SUPPORT	01/09/1993-
045	35T9650	FLAT BRACKET	01/09/1993-
046	35U0400	"U" BRACKET	01/09/1993-
047	35Z0340	PILOT LIGHT PIPE	01/09/1993-
048	35Z2300	LH BURNER GAS PIPE	01/09/1993-
049	36A2640	BASKET 300X200X115	01/09/1993-
050	36D2330	BUSHING Ø 20	01/09/1993-
051	36D3420	RH END SIDE	01/09/1993-

Pos	Code	Description	Info
052	36D3430	LH END SIDE	01/09/1993-
053	36D4000	ADJUSTABLE FOOT	01/09/1993-
054	36D4140	COCK HANDLE ASS. Y	01/09/1993-
055	36M2121	HANDLE	01/09/1993-
056	36M2130	HANDLE	01/09/1993-
057	36M2580	GAS THERMOSTAT KNOB	01/09/1993-
058	36M2800	KNOB PLATE	01/09/1993-
059	36Q0030	BICONE Ø12X8	01/09/1993-
060	36Q0710	BICONE SCREW Ø 12	01/09/1993-
061	36Q0760	"NUT 1/4""X5"	01/09/1993-
062	36Q1110	LOCK NUT 3/8"	01/09/1993-
063	3128460	WASHER	01/09/1993-
064	6000280	PILOT BURNER ASS .Y	01/09/1993-
065	32Z1490	GAS THERMOSTAT MAGNET	01/09/1993-