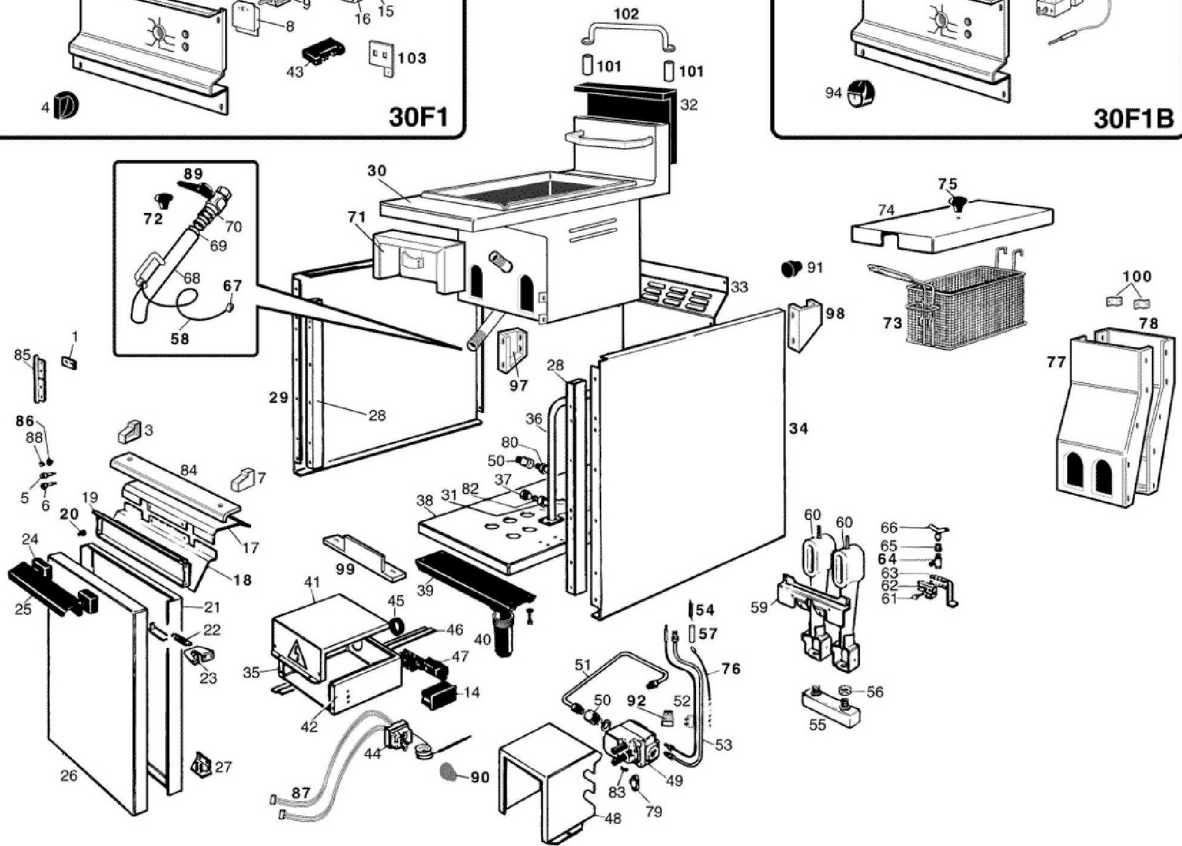
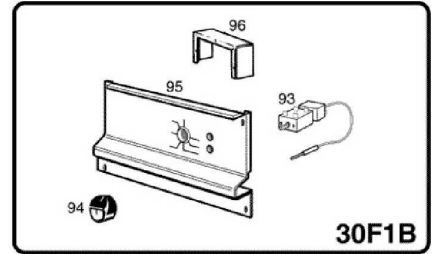
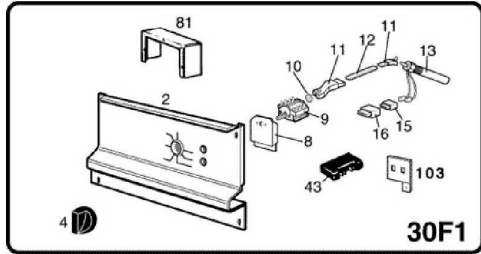




30F1B

Edition 20090929-



Pos	Code	Description	Info
001	35T9650	FLAT BRACKET	01/11/1995-
003	36D3430	LH END SIDE	01/11/1995-
005	3106710	GREEN LIGHT 230V	23/05/2007-
006	3106730	ORANGE LIGHT 230V	23/05/2007-
007	36D3420	RH END SIDE	01/11/1995-
014	32T0210	SPARK IGNITION DEVICE	20/03/2001-
017	35Q6660	HEAT SHIELD	01/11/1995-
018	35Q5051	HEAT SHIELD	01/11/1995-
019	35Q5280	GUARD	01/11/1995-
020	36D6860	FOOT	01/11/1995-
021	3AG0130	INNER DOOR FRAME	01/11/1995-
022	36G5240	ASS. Y SPRING	01/11/1995-
023	36M2541	RH UPPER HINGE	01/11/1995-
024	36M3720	SPACER	01/11/1995-
025	36M3900	HANDLE	01/11/1995-
026	35G4240	DOOR ASS. Y	01/11/1995-
027	36M2500	RH LOWER HINGE ASS. Y	01/11/1995-
028	35B4381	VERT. UP RIGHT	01/11/1995-
029	35C0530	LH PANEL	01/11/1995-
030	30M0470	GAS TOP C/WELL ASS. Y	01/11/1995-
031	36Q0050	BICONE NUT Ø 12	01/11/1995-
032	35B2360	FLUE COVERING	01/11/1995-
033	35B2381	REAR PANEL	01/11/1995-
034	35C0580	RH PANEL	01/11/1995-
035	35Q7010	LH EL. BOX	01/11/1995-
036	3AZ0030	GAS MANIFOLD ASS. Y	01/11/1995-
037	36Q0740	PLUG	01/11/1995-
038	35M6550	BOTTOM PLATE	01/11/1995-
039	30T0041	FOOT HOUSING ASS. Y	01/11/1995-
040	36D4000	ADJUSTABLE FOOT	01/11/1995-
041	35G5950	EL. BOX COVER	01/11/1995-
042	35Q7021	RH EL. BOX	01/11/1995-
044	32Z5612	SAFETY THERMOSTAT	04/12/2008-
045	32X0120	GROMMETØ 21	01/11/1995-
046	35S6730	GUIDE	01/11/1995-
047	32D0380	TERMINAL BOARD	01/11/1995-
048	35Q6290	GAS VALVE	01/11/1995-
049	33A0590	PROTECTION "GAS VALVE 1/2""	01/11/1995-
050	33Q2571	"REDUCTION MF 3/8""-1/2""	22/07/2004-
051	35X0160	BURNER PIPE	01/11/1995-
052	6021770	INTERRUPTED THERMOC.	01/06/2001-
053	35X0120	M9X1X1000 CAB PILOT LIGHT PIPE	01/11/1995-
054	32T0010	IGNITION PLUG	01/11/1995-
055	30Z7531	GAS MANIFOLD	01/12/1997-
056	36Q1110	LOCK NUT 3/8"	01/11/1995-
057	131AA46	HOSE 8'X40	01/11/1995-
058	3100200	CABLE Ø 1.2	01/11/1995-
059	35S5540	BURNER SUPPORT	01/11/1995-
060	34A1670	VERTICAL BURNER	01/11/1995-
061	31M7080	SCREW	01/11/1995-
062	33A0950	REAR BRACKET	01/11/1995-

Pos	Code	Description	Info
063	35S5080	SUPPORT	01/11/1995-
064	33A2900	PILOT BURNER BODY	01/11/1995-
065	33A0970	RING NUT	01/11/1995-
066	32Z2241	2 FLAMES BURNER	01/11/1995-
067	3100210	TERMINAL BOARD	01/11/1995-
068	3AZ0090	DRAIN PIPE ASS. Y	01/11/1995-
069	3150690	"O" RING	01/02/2006-
070	33D1770	BALL VALVE	01/11/1995-
071	35Q4442	BURNER HOUSING	01/11/1995-
072	36M5430	HANDLE	01/11/1995-
073	36A3481	BASKET 300X200X115	01/11/1995-
074	35G8990	WELL LID	26/09/2000-
075	36M2130	HANDLE	01/11/1995-
076	32A0390	CABLE "HF" 1200MM	01/11/1995-
077	35D4361	HALF FLUE FRONT PLATE	01/11/1995-
078	35D4371	HALF FLUE REAR PLATE	01/11/1995-
079	33A0020	COMPL. VALVE	01/11/1995-
080	36Q0710	BICONE SCREW Ø 12	01/11/1995-
082	36Q0030	BICONE Ø12X8	01/11/1995-
083	36G3690	SPRING	01/11/1995-
084	35S1720	BRACKET	01/11/1995-
085	35S7270	PANEL PROTECTION	01/11/1995-
086	3150790	THERMOSTAT PROTECT.	01/11/1995-
087	32A0780	CABLE	01/11/1995-
088	3170290	KNOB SPRING	01/11/1995-
089	35G7250	RH COCK HANDLE	26/07/2005-
090	37Q3270	SWITCH COVER	01/11/1995-
091	36Q1410	CAP	01/11/1995-
092	32D1450	TERMINAL	31/01/2003-
093	6300738	THERMOSTAT REPLACING KIT	29/09/2009-
094	36M4560	ELECTRIC CONTROL KNOB	01/11/1995-
095	3AA2060	UPPER CONTROL BOARD	01/11/1995-
096	35Q7800	LIGHT PROTECTION 30F1B	01/11/1995-
097	35Q8290	LEFT HAND PANEL	01/11/1995-
098	35Q8300	RIGHT HAND PANEL	01/11/1995-
099	35S6720	GUIDE EL. BOX SUPPORT	01/11/1995-
100	35T7200	"Z" BRACKET	01/11/1995-
101	35X3340	SPACER PIPE	01/11/1995-
102	3600230	FLUE GUARD	01/11/1995-
104	32Q2701	EL. CABLES	20/03/2001-
105	32Q3541	EL. CABLES	20/03/2001-