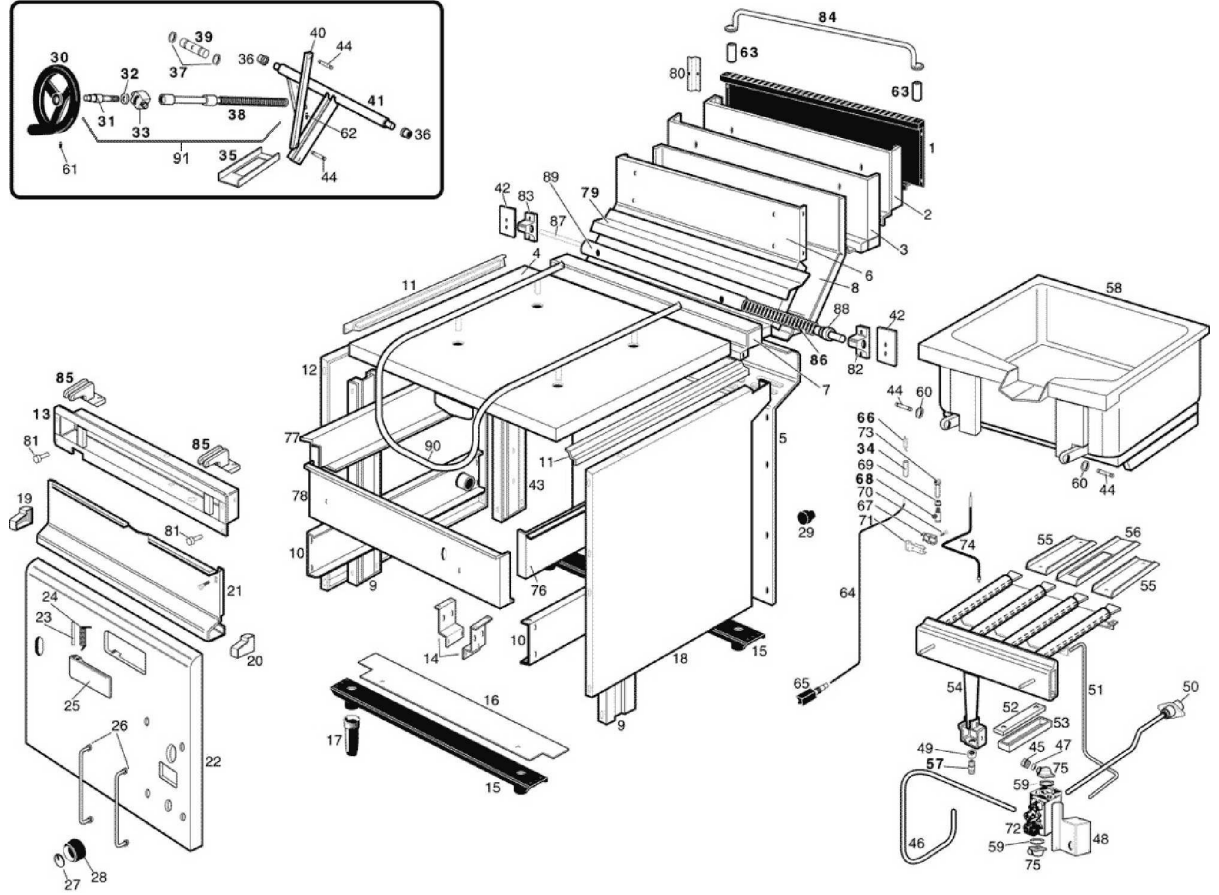
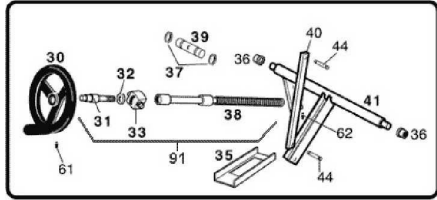




31R

Edition 20100127-



Pos	Code	Description	Info
001	35B9740	FLUE REAR	01/11/1995-
002	3AT0910	HINGE SUPPORT ASS. Y	01/11/1995-
003	30M2680	REAR HOB ASS. Y	01/11/1995-
004	35G7180	LID	01/11/1995-
005	35B4020	REAR PANEL	01/11/1995-
006	35D6670	HALF FLUE FRONT PLATE	01/11/1995-
007	35V0620	STIFFENING	01/11/1995-
008	35D6680	HALF FLUE REAR PLATE	01/11/1995-
009	35V0600	RISER	01/11/1995-
010	3AT0850	LIFTING SUPPORT ASS. Y	01/11/1995-
011	35V0630	"Z" BRACKET	01/11/1995-
012	35B9720	LH PANEL	01/11/1995-
013	3AD0291	FRONT PANEL ASS. Y	01/11/1995-
014	35V0710	"W" SUPPORT FOR LIFTING	01/11/1995-
015	30T2571	FOOT HOUSING ASS. Y	01/11/1995-
016	35V1880	MIRROR PROFILE	01/11/1995-
017	36D4000	ADJUSTABLE FOOT	01/11/1995-
018	35B9710	RH PANEL	01/11/1995-
019	36D3430	LH END SIDE	01/11/1995-
020	36D3420	RH END SIDE	01/11/1995-
021	35B9820	CONTROL BOARD	01/11/1995-
022	35B9811	FRONT PANEL	01/11/1995-
023	36G5150	PIN	01/11/1995-
024	36G5180	SPRING	01/11/1995-
025	35G4260	SLOT COVER	01/11/1995-
026	3600890	CONTROL PROTECTION	01/11/1995-
027	36M2800	KNOB PLATE	01/11/1995-
028	36M2580	GAS THERMOSTAT	01/11/1995-
029	36Q1410	CAP	07/11/1995-
030	36M4910	CRANK Ø 200	01/11/1995-
031	36G1290	BEARING SHAFT	01/11/1995-
032	36F0340	BEARING Ø35Ø17X12	01/11/1995-
033	36C0940	BEARING SUPPORT	01/11/1995-
034	131AA46	HOSE 8'X40	01/11/1995-
035	35D6580	"U" BRACKET	01/11/1995-
036	36D9390	BUSHING Ø 25	01/11/1995-
037	3120040	RING FOR SHAFT	01/11/1995-
038	36G1170	RH SCREW	01/11/1995-
039	36G1250	SCREW SUPPORT	01/11/1995-
040	36G6490	LIFTING ROD	01/11/1995-
041	36G1160	LIFTING SHAFT ASS. Y	01/11/1995-
042	35U3760	STIFFENING	01/11/1995-
043	35V0610	REAR UP RIGHT	01/11/1995-
044	36D9170	WELL PIN	01/11/1995-
045	36Q0710	BICONE SCREW Ø 12	01/11/1995-
046	35X1110	BURNER PIPE	01/11/1995-
047	36Q0030	BICONE Ø12X8	01/11/1995-
048	35V0640	VALVE SUPPORT	01/11/1995-
049	36Q1110	LOCK NUT 3/8"	01/11/1995-
050	30Z7950	PIPE	01/11/1995-
051	35X1130	PILOT BURNER PIPE	01/11/1995-

Pos	Code	Description	Info
052	36D3260	PROBE SUPPORT	01/11/1995-
053	35V0720	THERM. PROBE	01/11/1995-
054	34A1790	PROTECT. BURNER	01/11/1995-
055	35D6590	BAFFLE 290X101X15	01/11/1995-
056	35D6600	BAFFLE 335X121X15	01/11/1995-
057	3035340	NOZZLE HOUSING	24/07/2006-
058	30W2910	WELL ASS. Y	01/11/1995-
059	3150770	"O" RING Ø 21	01/11/1995-
060	3128890	BENZING RING Ø 8	01/11/1995-
061	31W0020	SCREW TEI M8X10	01/11/1995-
062	31W0030	SCREW TEI M6X10	01/11/1995-
063	35X3340	SPACER PIPE	01/11/1995-
064	32A0061	CABLE "HF" 1100MM	01/11/1995-
065	32T0130	PIEZO IGNITION	01/11/1995-
066	32T0010	IGNITION PLUG	27/01/2010-
067	33A0950	REAR BRACKET	01/11/1995-
068	33A2900	PILOT BURNER BODY	01/11/1995-
069	33A0970	RING NUT	01/11/1995-
070	33A0980	SCREW 3/16W. X18TE	01/11/1995-
071	33A1000	FRONT BRACKET	01/11/1995-
072	33A1031	GAS THERMOST. 110- 340° C	01/11/1995-
073	33A1081	THREE-FLAME BURNER	24/04/2008-
074	33A1190	THERMOCOUPLE M9X1X750	05/06/2001-
075	33Q2650	"ELBOW MF 3/8""	01/11/1995-
076	35D6640	RH COMBUST. CHAMBER	01/11/1995-
077	35D6650	LH COMBUST. CHAMBER	01/11/1995-
078	35D6660	FRONT COMBUST. CHAMBER	01/11/1995-
079	35V1861	COMBUSTION BRACKET	01/11/1995-
080	35V0680	"Z" BRACKET	01/11/1995-
081	36D2590	FRONT PANEL PIN	01/11/1995-
082	36D2790	RH HINGE SUPPORT	01/11/1995-
083	36D2800	LH HINGE SUPPORT	01/11/1995-
084	3600920	FLUE GUARD	01/11/1995-
085	36C2230	WELL HINGE	01/11/1995-
086	36G1300	SPRING	01/11/1995-
087	36G2650	HINGE SHAFT	01/11/1995-
088	36G2680	SPRING PIN	01/11/1995-
089	36G6680	LID HINGE	01/11/1995-
090	36M5200	HANDLE	01/11/1995-