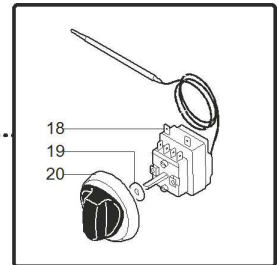
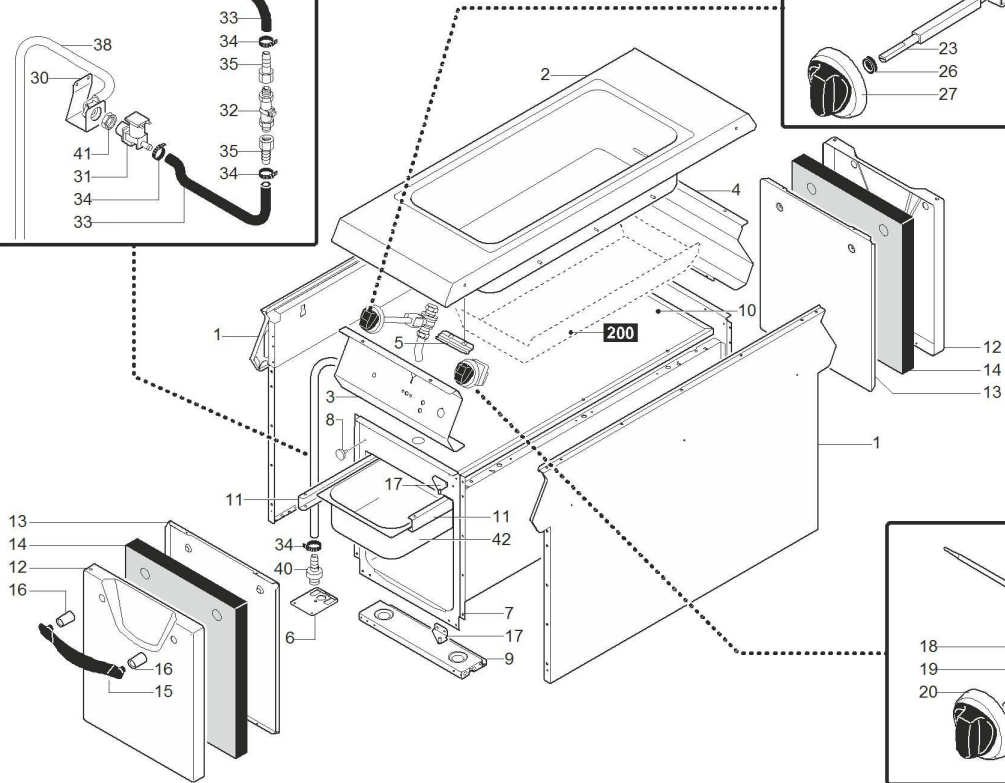
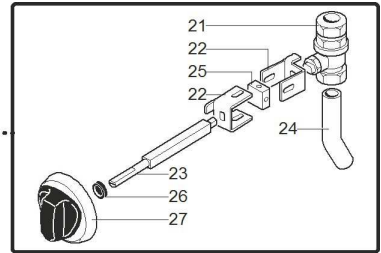
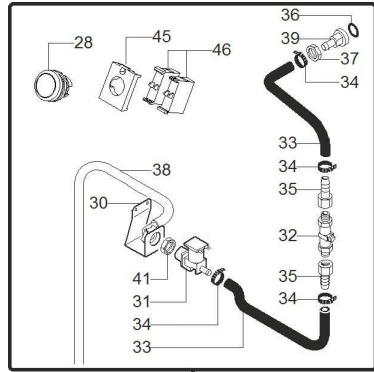
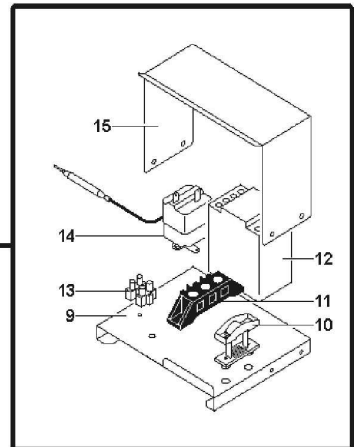
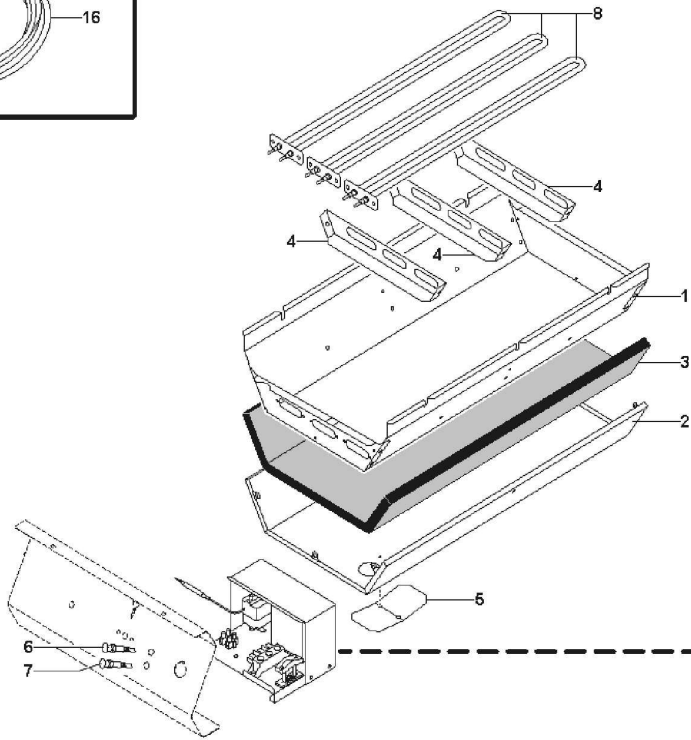
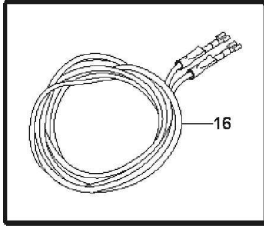




04WBMEV

Edition 20141017-





Page	Pos	Code	Description	Info
002	001	3012210	PANEL RIGHT LEFT	31/05/2004-
002	002	3013750	HOB ASS. Y	31/05/2004-
002	003	3013800	UPPER CONTROL BOARD	31/05/2004-
002	004	3013730	UPPER CONTROL BOARD	31/05/2004-
002	005	36C2810	FEELER SUPPORT	31/05/2004-
002	006	3031471	PLATE	31/05/2004-
002	007	3012601	UNDERCOMPARTMENT	08/11/2004-
002	008	3600090	MAGNET PLATE	31/05/2004-
002	009	35R1452	PROFILE OMEGA	31/05/2004-
002	010	3016230	CUP BOARD CEILING	31/05/2004-
002	011	35U8390	CONTAINER SLIDE	31/05/2004-
002	012	3177270	OVAL DOOR	19/05/2010-
002	013	3010510	COUNTER DOOR	31/05/2004-
002	014	3011060	INSULANTING PANEL	31/05/2004-
002	015	3010573	HANDLE	04/10/2013-
002	016	3011050	SPACER	31/05/2004-
002	017	6029110	HINGE ASSEMBLY	19/05/2010-
002	018	32Z9271	THERMOSTAT 30-112° THERMOSTAT	26/01/2010-
002	019	3152240	PROTECT.	31/05/2004-
002	020	3015751	ELECTRIC CONTROL	07/04/2008-
002	021	33D2131	KNOB COCK Ø18	31/05/2004-
002	022	3074980	JOINT	23/02/2006-
002	023	3072840	EXTENSION	16/02/2006-
002	024	3017050	PIPE	31/05/2004-
002	025	3016200	HINGE	31/05/2004-
002	026	3029290	GROMMETØ 8	31/05/2004-
002	027	36M4030	BLUERING KNOB	16/02/2006-
002	028	3255190	RED SWITCH	17/10/2014-
002	030	3016260	SUPPORT	31/05/2004-
002	031	33D1371	INLET WATER SOLENOID VALVE	31/05/2004-
002	032	3004170	VALVE	31/05/2004-
002	033	131AA12	RUBBER HOSEØ17Ø10 X H²O	31/05/2004-
002	034	3140230	12/20 PIPE CLAMP	31/01/2008-
002	035	3019770	RUBBER HOLDER	31/01/2008-
002	036	37Q1210	"O" RING Ø 18.77"	31/05/2004-
002	037	36Q1110	LOCK NUT 3/8"	31/05/2004-
002	038	33M0350	PIPE	31/05/2004-
002	039	3029440	WATER SPOUT	31/05/2004-
002	040	3017920	"NIPPLE M 1/2""	31/05/2004-
002	041	36Q1100	LOCK NUT 3/4"	31/05/2004-
002	042	3010380	SPILLAGE TRAY	31/05/2004-
002	043	3110050	STEEL NUT M8X6.5	16/02/2006-
002	043	33Q6120	ELBOW 1/2"	31/01/2008-
002	044	3072850	HANDLE KEY	16/02/2006-
002	045	3255200	SUPPORT	17/10/2014-
002	046	3255210	CONTACT 1NA	17/10/2014-
002	200	M001240	M.ELECTRIC CHAMBER	31/05/2004-
003	001	35D9710	HEATING ELEMENTS CHAMBER	31/05/2004-
003	002	35P0060	INSULATION PANEL COVER	31/05/2004-
003	003	37Q2160	INSULATING PANEL	31/05/2004-
003	004	35R0990	HEATING EL. SUPPORT	31/05/2004-

Page	Pos	Code	Description	Info
003	005	3055040	OVEN PLATE HOLE COVER	11/05/2010-
003	006	3106710	GREEN LIGHT 230V	23/05/2007-
003	007	3106730	ORANGE LIGHT 230V	23/05/2007-
003	008	32G2220	HEATING ELEMENT	31/05/2004-
003	009	3016210	SUPPORT	31/05/2004-
003	010	32D1820	CABLE CLAMP	31/05/2004-
003	011	32D0171	TERMINAL BOARD	31/05/2004-
003	012	3100940	RELAY BF09 230V- 50/60Hz-25(9)A	22/03/2007-
003	013	32D1450	TERMINAL	31/05/2004-
003	014	32Z9380	THERMOSTAT 150°C	31/05/2004-
003	015	3029160	PROTECTION	31/05/2004-
003	016	3016240	EL. CABLES	31/05/2004-