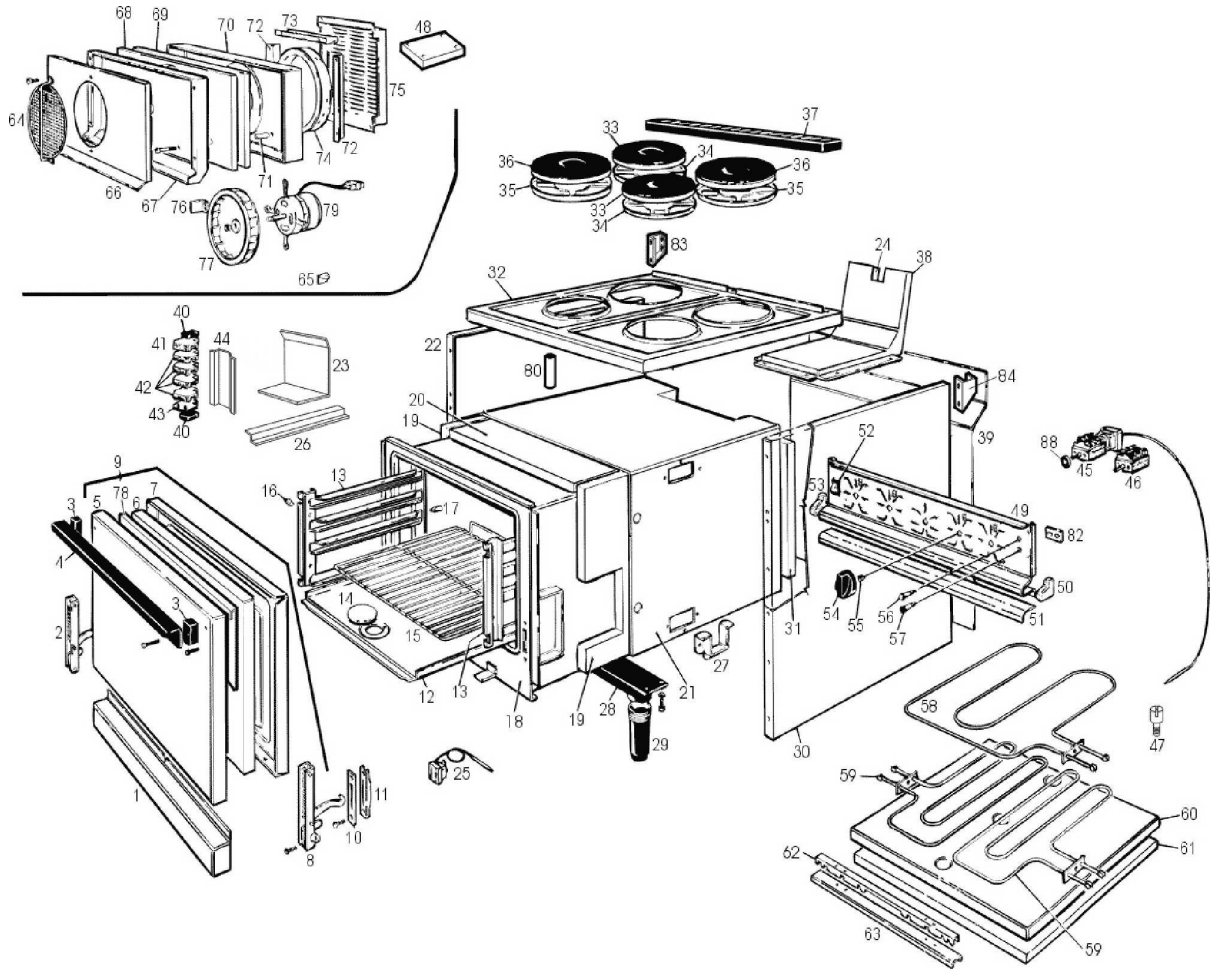




31TCE

Edition 20070523-



Pos	Code	Description	Info
001	35B2190	LOWER FRONT PANEL	01/09/1996-
002	36M2430	LEFT HAND HINGE	01/09/1996-
003	36M3720	SPACER	01/09/1996-
004	36M3590	HANDLE	01/09/1996-
005	35G6460	OVEN DOOR	01/09/1996-
006	37Q2361	INSULATING PANEL	01/09/1996-
007	35G6470	INNER DOOR FRAME ASS. Y	01/09/1996-
008	36M2420	RIGHT-HAND HINGE	01/09/1996-
009	6001611	OVEN DOOR ASS. Y	01/09/1996-
010	35U3170	FLAT BRACKET	01/09/1996-
011	36M0270	HINGE CATCH	01/09/1996-
012	35D4340	OVEN BOTTOM PLATE	01/09/1996-
013	30T2560	TRAY RACK ASS. Y	01/09/1996-
014	30D1260	OVEN PLATE HOLE COVER	01/09/1996-
015	3012000	OVEN GRID 530X325X35	01/03/2004-
016	36G3680	BUSHING Ø 8	01/09/1996-
017	36G2590	PIN	01/09/1996-
018	30D1642	ELECTRIC OVEN ASS. Y	01/09/1996-
019	37Q2331	INSULATING PANEL	01/09/1996-
020	37Q2341	INSULATING PANEL	01/09/1996-
021	35C6880	INSULATION PANEL COVER	01/09/1996-
022	35C0530	LH PANEL	01/09/1996-
023	30T2900	TERM. BLOCK SUPPORT	01/09/1996-
024	35D4750	FLUE REAR PANEL	01/09/1996-
025	32Z9202	SAFETY THERMOSTAT	10/11/2004-
026	35S6730	GUIDE	01/09/1996-
027	35Q0810	HEATING ELEMENT GUARD	01/09/1996-
028	30T2571	FOOT HOUSING ASS. Y	01/09/1996-
029	36D4000	ADJUSTABLE FOOT	01/09/1996-
030	35C0580	RH PANEL	01/09/1996-
031	37Q2350	INSULATING PANEL	01/09/1996-
032	30M1901	TOP ASS. Y	01/09/1996-
033	32G0030	ELECTRIC PLATE Ø180 - 2000W - 220V/230V	01/09/1996-
033	32G0290	ELECTRIC PLATE Ø180 - 2000W - 400V	01/09/1996-
033	32G1320	ELECTRIC PLATE Ø180 - 2000W - 415V	01/09/1996-
034	36Z0150	EL. PLATE BOTTOM Ø 180	01/09/1996-
035	36Z0310	EL. PLATE BOTTOM Ø 220	01/09/1996-
036	32G0020	ELECTRIC PLATE Ø220 - 2600W - 220V/230V	01/09/1996-
036	32G0300	ELECTRIC PLATE Ø220 - 2600W - 400V	01/09/1996-
036	32G1330	ELECTRIC PLATE Ø220 - 2600W - 415V	01/09/1996-
037	35B2070	FLUE GUARD	01/09/1996-
038	35D4760	FLUE FRONT PANEL	01/09/1996-
039	35B2182	REAR PANEL	01/09/1996-
040	32D0870	TERMINAL CLAMP	01/09/1996-
041	32D0970	GROUND TERMINAL	01/09/1996-
042	32D0950	LIVE TERMINAL	01/09/1996-
043	32D0960	TERMINAL END COVER	01/09/1996-
044	35S5420	""OMEGA"" BRACKET"	01/09/1996-
045	32Z3551	THERMOSTAT 50-300° C	01/09/1996-
046	32W0760	SWITCH	01/09/1996-
047	36D8492	FEELER SUPPORT	01/09/1996-

Pos	Code	Description	Info
048	35V0260	"C" BRACKET	01/09/1996-
049	35B3410	UPPER CONTROL BOARD	01/09/1996-
050	36D3420	RH END SIDE	01/09/1996-
051	35S1290	BRACKET	01/09/1996-
052	32W0631	SWITCH	01/09/1996-
053	36D3430	LH END SIDE	01/09/1996-
054	36M2400	ELECTRIC CONTROL	01/09/1996-
055	3170290	KNOB KNOB SPRING	01/09/1996-
056	3106710	GREEN LIGHT 230V	23/05/2007-
057	6300651	ORANGE LIGHT 400V ASS.Y	23/05/2007-
058	32G0151	HEATING EL.	01/09/1996-
058	32G1350	HEATING EL.	01/09/1996-
058	32G1600	HEATING EL. 2600W. 220V	01/09/1996-
059	32G1590	HEATING EL. 2600W. 220V	01/09/1996-
059	32G1621	HEATING ELEMENT 2600W 400V	01/09/1996-
059	32G1630	HEATING EL.	01/09/1996-
060	35D4480	INS. PANEL BOTTOM	01/09/1996-
061	37Q2400	INSULATING PANEL	01/09/1996-
062	35U5891	"U" BRACKET	01/09/1996-
063	35U4362	"U" BRACKET	01/09/1996-
064	30Q2010	FAN GUARD	01/09/1996-
065	35V3590	"L" BRACKET	01/09/1996-
066	35G0151	COVER	01/09/1996-
067	35Q0671	CONVEYOR	01/09/1996-
068	37Q2430	INSULATING PANEL	01/09/1996-
069	37A4701	INSULATING PANEL	01/09/1996-
070	35Q2470	PROTECTION HOUSING	01/09/1996-
071	35Z2140	SPACER PIPE	01/09/1996-
072	35T1971	""""L"" BRACKET"	01/09/1996-
073	35V0250	"U" BRACKET	01/09/1996-
074	35Q1220	INSULATION PANEL COVER	01/09/1996-
075	35Q7210	MOTOR PROTEC. PLATE	01/09/1996-
076	35T4320	"L" BRACKET	01/09/1996-
077	32M0370	FAN	01/09/1996-
078	35V0700	SPACER	01/09/1996-
079	32M4301	MOTOR	01/09/1996-
080	35Z1930	SPACER PIPE	01/09/1996-
082	35T9650	FLAT BRACKET	01/09/1996-
083	35Q8290	LEFT HAND PANEL	01/09/1996-
084	35Q8300	RIGHT HAND PANEL	01/09/1996-
085	32Q2203	EL. CABLES 31TCE	01/09/1996-
086	36M2121	HANDLE	24/01/1997-
087	32D0770	FAIRLEAD 8/10-17/20	24/01/1997-
088	3150790	THERMOSTAT PROTECT.	03/03/2001-