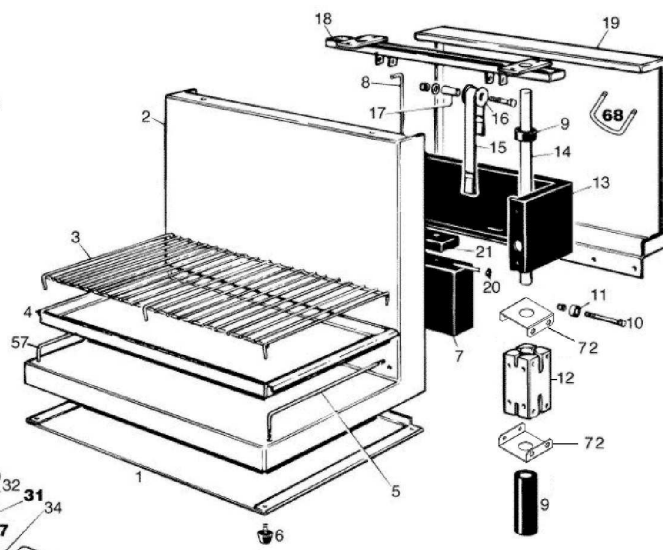
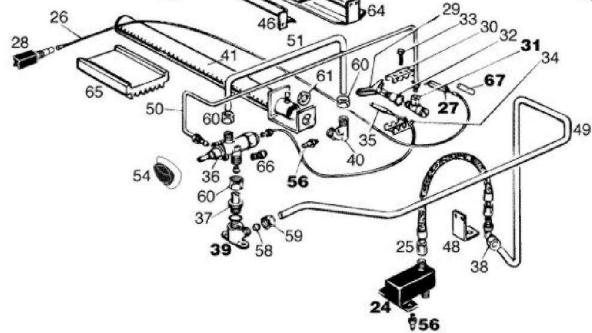
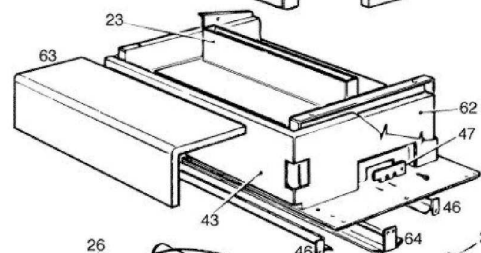
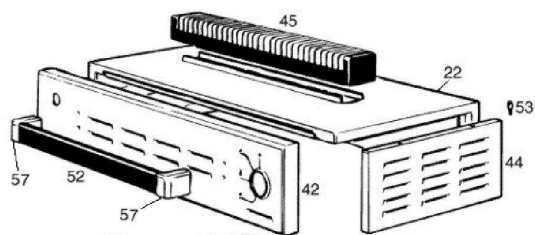




60SM

Edition 20130924-



Pos	Code	Description	Info
001	35M5610	BOTTOM PLATE	01/09/1994-
002	3196770	TOP ASS. Y	05/04/2011-
003	36A2800	GRID	01/09/1994-
004	35W3410	TRAY	01/09/1994-
005	35R0460	TRAY GUIDE	12/12/1995-
006	36D2740	RUBBER FOOT	01/09/1994-
007	36G3970	COUNTERWEIGHT ASS. Y	01/09/1994-
008	36D6030	COUNTERWEIGHT PIN	01/09/1994-
009	111AA05	RUBBER HOSE Ø30 Ø20	19/07/2005-
010	3051720	SCREW TE M5X65	10/05/2005-
011	36G4180	BEARING	01/09/1994-
012	36G4161	BEARINGS UPPORT	26/09/2005-
013	35B5040	SUPPORT ASS. Y	01/09/1994-
014	36D4860	GUIDE	01/09/1994-
015	36G4170	COUNTERWEIGHT- BELT	01/09/1994-
016	36G3980	BELT WHEEL	01/09/1994-
017	35Z2880	SPACER	01/09/1994-
018	3AT0270	CROSS MEMBER	01/09/1994-
019	3AA0670	REAR PANEL ASS. Y	01/09/1994-
020	3170240	CATCH Ø 5	01/09/1994-
021	36G5110	COUNTERWEIGHT	01/09/1994-
022	30A9520	HOOD ASS. Y	01/09/1994-
023	30D2511	COMBUSTION CHAMBER ASS.Y	01/09/1994-
024	30Z1200	GAS MANIFOLD	01/09/1994-
025	30Z7490	PIPE	01/09/1994-
026	3232420	CABLE "HF" 1200MM	24/09/2013-
027	3232960	IGNITION PLUG	24/09/2013-
028	3166990	PIEZO IGNITION	28/07/2003-
029	32Z2241	2 FLAMES BURNER	01/09/1994-
030	33A0950	REAR BRACKET	01/09/1994-
031	33A2900	PILOT BURNER BODY	01/09/1994-
032	33A0970	RING NUT	01/09/1994-
033	33A0980	SCREW 3/16W. X18TE	01/09/1994-
034	33A1000	FRONT BRACKET	01/09/1994-
035	33A0680	THERMOCOUPLE M8X1X600	13/06/2001-
036	33D1170	GAS CONTROL	01/09/1994-
037	3020200	"PIPE FITTING 1/2"" Ø 10"	27/02/2004-
038	33Q5210	ELBOW MM16X1.5	01/09/1994-
039	3020190	"ELBOW MF 1/2"""	27/02/2004-
040	33Q5240	NOZZLE HOLDER ELBOW	01/09/1994-
041	34A1641	BURNER	24/06/2003-
042	35H1660	UPPER CONTROL BOARD	16/03/2002-
043	35B4041	INSULATION PANEL COVER	01/09/1994-
044	35G4200	COVER	01/09/1994-
045	35Q2760	FLUE GUARD	01/09/1994-
046	35S4850	SUPPORT	01/09/1994-
047	35S4920	FLAT BRACKET	01/09/1994-
048	35S4930	"L" BRACKET	01/09/1994-
049	35X0040	GAS SUPPLY PIPE	01/09/1994-
050	35X0860	PILOT GAS SUPPLY PIPE	01/09/1994-
051	35X0110	BURNER PIPE	01/09/1994-

Pos	Code	Description	Info
052	35Z0651	HANDLE	16/03/2002-
053	36D0090	PIN	01/09/1994-
054	6300521	GAS CONTROL ASS.Y	19/01/2001-
055	36M2910	TERMINAL	16/03/2002-
056	33A0640	PRESSURE TEST POINT	01/09/1994-
057	35R0450	TRAY GUIDE	12/12/1995-
058	36Q0080	BICONE Ø 10X6.5	01/09/1994-
059	36Q0140	BICONE NUT Ø 10	01/09/1994-
060	36Q0830	BICONE NUT Ø 10	01/09/1994-
061	36Q1171	LOCKNUT M16X1.5	01/09/1994-
062	37Q2890	INSULATING PANEL	01/09/1994-
063	37Q2900	INSULATING PANEL	01/09/1994-
064	3AT0360	CENTR. SUPPORT ASS.Y	01/09/1994-
065	37T1680	IR TILE	01/09/1994-
066	32Z1520	VALVE MAGNET	01/09/1994-
067	131AA46	HOSE 8'X40	01/09/1994-
068	36D7930	BELT HAIRPIN	01/09/1994-
070	32A2401	CABLE 1100MM	04/04/2003-
071	3009390	BUSHING 16	24/06/2003-
072	3051600	PROTECTION SUPPORT	26/09/2005-