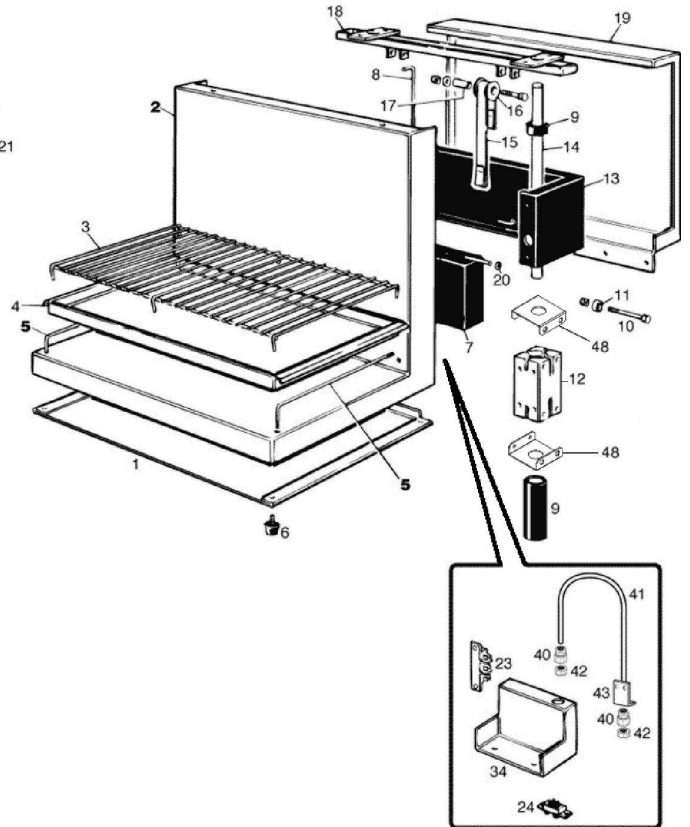
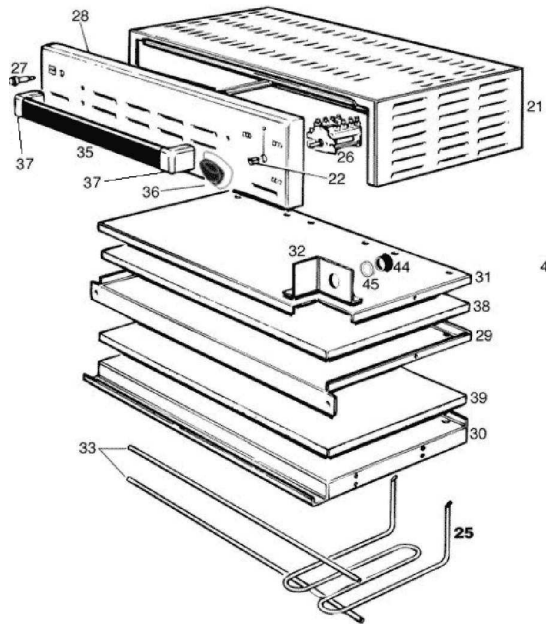




60SME

Edition 20110405-



Pos	Code	Description	Info
001	35M5610	BOTTOM PLATE	01/09/1996-
002	3196770	TOP ASS. Y	05/04/2011-
003	36A2800	GRID	01/09/1996-
004	35W3410	TRAY	01/09/1996-
005	35R0450	TRAY GUIDE	01/09/1996-
005	35R0460	TRAY GUIDE	01/09/1996-
006	36D2740	RUBBER FOOT	01/09/1996-
007	36G3970	COUNTERWEIGHT ASS. Y	01/09/1996-
008	36D6030	COUNTERWEIGHT PIN	01/09/1996-
009	111AA05	RUBBER HOSE $\varnothing 30 \varnothing 20$	19/07/2005-
010	3051720	SCREW TE M5X65	10/05/2005-
011	36G4180	BEARING	01/09/1996-
012	36G4161	BEARINGS UPPORT	26/09/2005-
013	35B5040	SUPPORT ASS. Y	01/09/1996-
014	36D4860	GUIDE	01/09/1996-
015	36G4170	COUNTERWEIGHT- BELT	01/09/1996-
016	36G3980	BELT WHEEL	01/09/1996-
017	35Z2880	SPACER	01/09/1996-
018	3AT0270	CROSS MEMBER	01/09/1996-
019	3AA0621	REAR PANEL ASS. Y	09/06/2003-
020	3170240	CATCH $\varnothing 5$	01/09/1996-
021	30A9610	HOOD ASS. Y	01/09/1996-
022	3170290	KNOB SPRING	01/09/1996-
023	32D0251	TERMINAL BOARD	01/09/1996-
024	32D1770	FAIRLEAD	09/06/2003-
025	32G1580	HEATING ELEMENT 1300W 240V	01/09/1996-
025	32G1580	HEATING ELEMENT 1300W 240V	21/03/2006-
026	32W2920	SWITCH	01/09/1996-
027	3106710	GREEN LIGHT 230V	23/05/2007-
028	35H1670	CONTROL BOARD	16/03/2002-
029	35B3610	INSULATION PANEL COVER	01/09/1996-
030	35G3400	BAFFLE	01/09/1996-
031	35Q6990	INSULATION PROTECTION	01/09/1996-
032	35Q6980	SELECTOR SWITCH PROTECTION	01/09/1996-
033	35S1260	HEATING ELEM. SUPPORT	01/09/1996-
034	35S3981	TERM. BOARD SUPPORT	01/09/1996-
035	35Z0651	HANDLE	16/03/2002-
036	6300522	EL. CONTROL ASS.Y	11/10/2000-
037	36M2910	TERMINAL	16/03/2002-
038	37Q2800	INSULATING PANEL	01/09/1996-
039	37Q2810	INSULATING PANEL	01/09/1996-
040	3201530	METALLIC HOSE NIPPLE	01/09/1996-
041	131AA30	FLEX. METALLIC HOSE $\varnothing 19-\varnothing 15$	01/09/1996-
042	36Q1100	LOCK NUT 3/4"	01/09/1996-
043	35S6500	"L" BRACKET	01/09/1996-
044	36D7770	GROMMET BUSHING	01/09/1996-
045	3127820	STOP RING $\varnothing 30$	01/09/1996-
046	32Q2770	EL. CABLE 60SME	01/09/1996-
048	3051600	PROTECTION SUPPORT	26/09/2005-